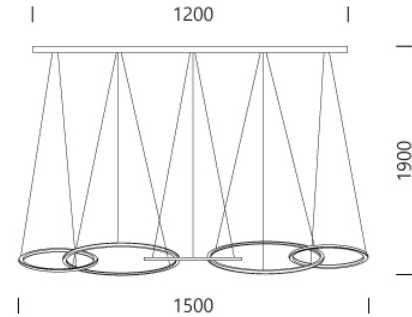
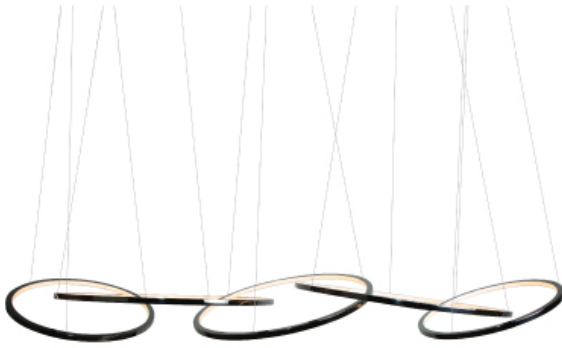


PROJECT : _____
SALE : _____

Lampitude

Product

Dimension



Specification

SERIES : TELOS
ITEM CODE : TELOS-P5-BK
DESCRIPTION : PENDANT LAMP
SIZE : L1500 X W600 X H1900 (MM)

INSTALLATION : SURFACE MOUNTED
DRILL SIZE : -
WEIGHT : -
MATERIAL : STAINLESS STEEL
COLOR : MIRROR BLACK
REFLECTOR : -
DIFFUSER : -
IP RATING : 20

LIGHT SOURCES : LED
SOCKET : -
WATTS : 65W
VOLT : -
CCT : 3000K
CRI : -
BEAM ANGLE : -
LUMEN POWER : -
LIFETIME : -

CONTROL GEAR : LED DRIVER INCLUDED
ACCESSORIES : -
REMARKS : -

Head office 299/1 (Ekamai) Klongton-Nua, Wattana, Bangkok Thailand 10110

Tel (02) 392 6371-5 FAX (02) 392 1839 Email info@lamptitude.net www.lamptitude.net

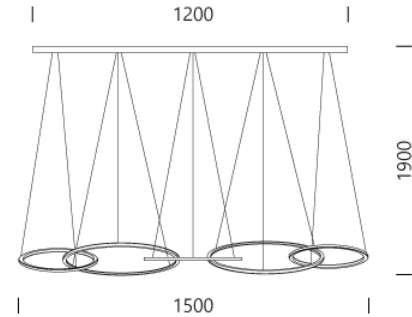
PROJECT : _____
SALE : _____

Lampitude

Product



Dimension



Specification

SERIES : TELOS
ITEM CODE : TELOS-P5-RG
DESCRIPTION : PENDANT LAMP
SIZE : L1500 X W600 X H1900 (MM)

INSTALLATION : SURFACE MOUNTED
DRILL SIZE : -
WEIGHT : -
MATERIAL : STAINLESS STEEL
COLOR : MIRROR ROSW GOLD
REFLECTOR : -
DIFFUSER : -
IP RATING : 20

LIGHT SOURCES : LED
SOCKET : -
WATTS : 65W
VOLT : -
CCT : 3000K
CRI : -
BEAM ANGLE : -
LUMEN POWER : -
LIFETIME : -

CONTROL GEAR : LED DRIVER INCLUDED
ACCESSORIES : -
REMARKS : -

Head office 299/1 (Ekamai) Klongton-Nua, Wattana, Bangkok Thailand 10110

Tel (02) 392 6371-5 FAX (02) 392 1839 Email info@lamplitude.net www.lamplitude.net