

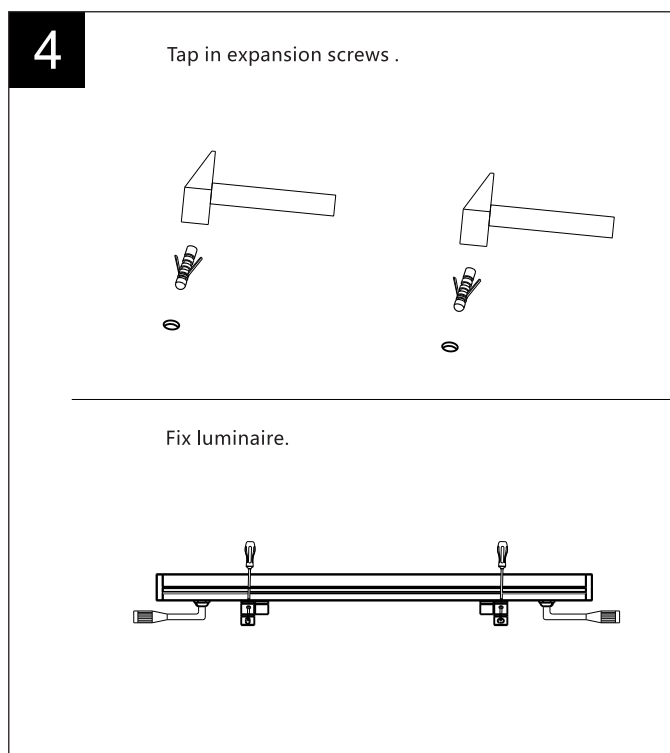
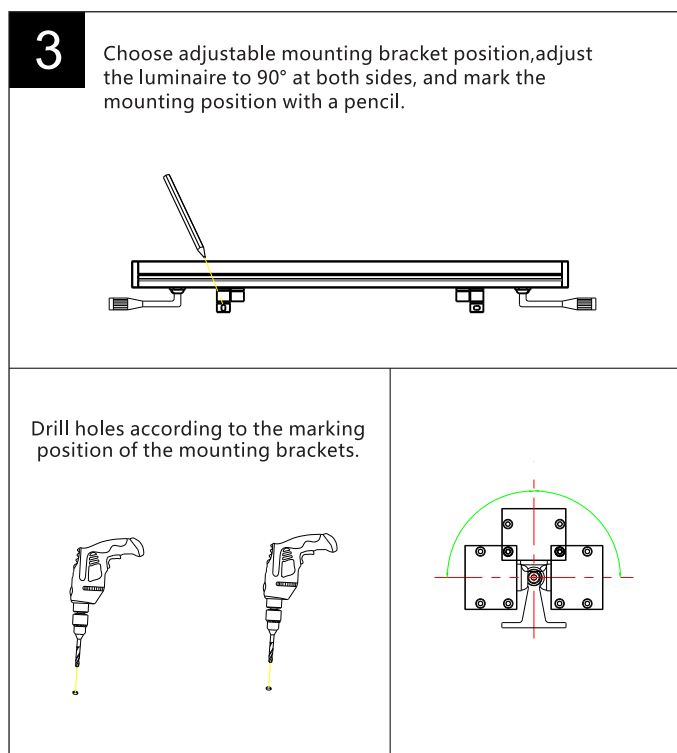
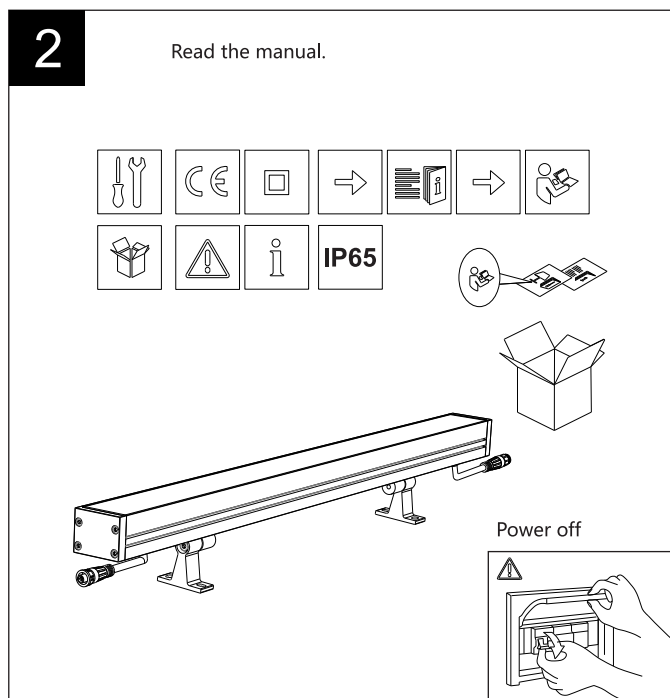
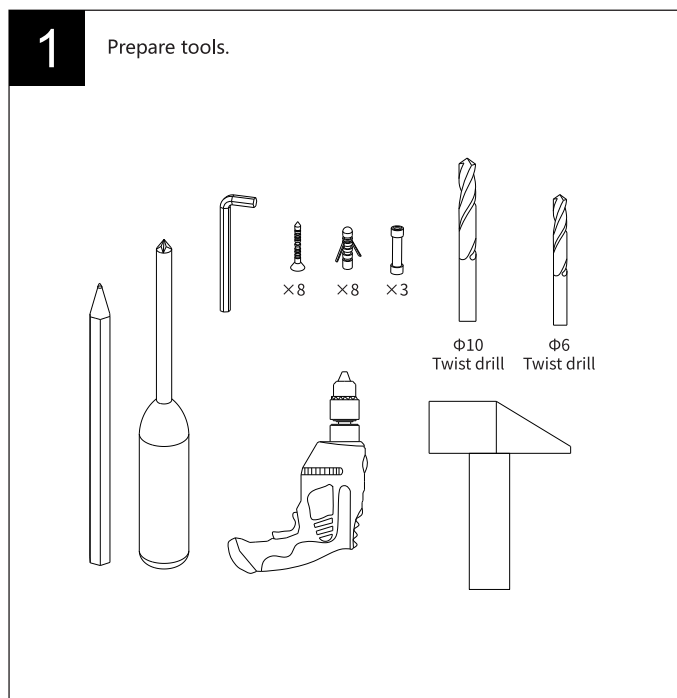
# ST-XQ01A MANUAL

## Attentions:

1. Please read installation instructions carefully before installation.
2. Please ask qualified electrician to install to avoid electric shock.
3. Please turn off power when maintaining and cleaning to avoid electric shock.
4. Keep this user manual for future use.

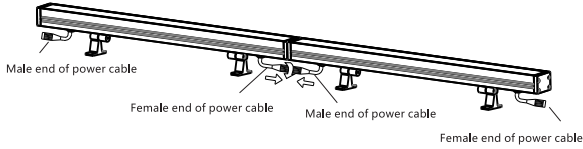
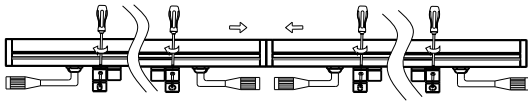
## Maintenance and cleaning:

1. Please turn off the power before cleaning the luminaire, and avoid water entering the light source when wiping to avoid any damage to the luminaire.
2. Please contact the supplier and do not disassemble it by yourself when there is any defect or damage of luminaire.



5

Regular connection.



Power cable labels

Male end of power cable: Brown: DC24V+

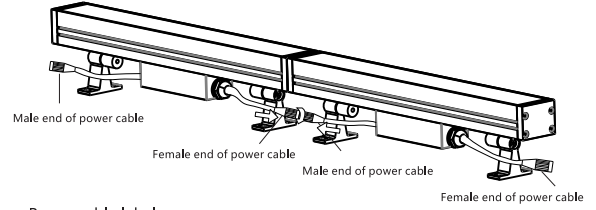
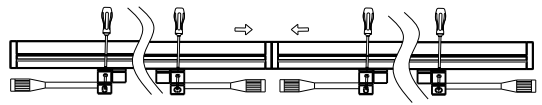
Blue: DC24-

Female end of power cable: Brown: DC24V+

Blue: DC24-

6

DMX connection.



Power cable labels

Male end of power cable:

Brown: DC24V+ Blue: DC24- White: DMX512+

Black: DMX512- Yellow and green wire: Pin

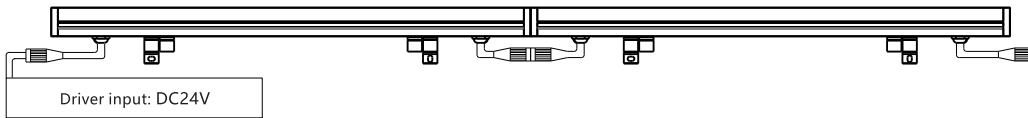
Female end of power cable:

Brown: DC24V+ Blue: DC24- White: DMX512+

Black: DMX512- Yellow and green wire: Pout

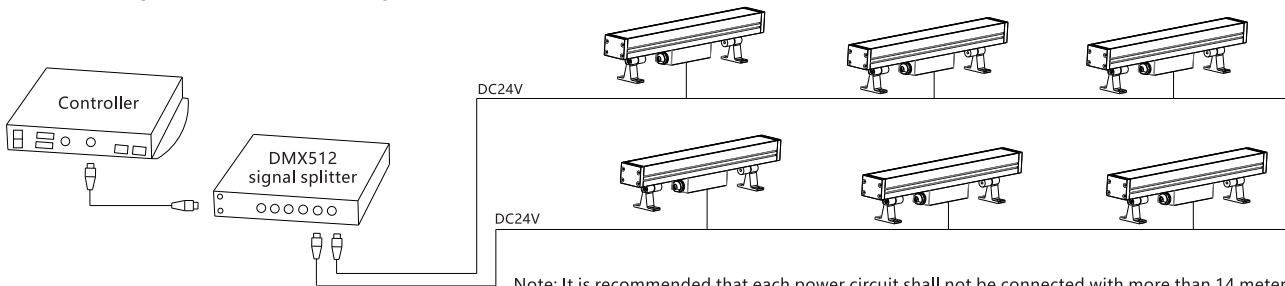
8

Regular connecting mode of constant voltage DC24.



Note: It is recommended to replace a power circuit when the luminaire is connected up to 7 meters, and the current should not be greater than 8A.

Constant voltage DC24 DMX512 dimming connection mode.



Note: It is recommended that each power circuit shall not be connected with more than 14 meters of luminaires, and a DMX new amplifier shall not contain more than 32 luminaires.