

# ST-SXQ-R500 MANUAL

Lampitude



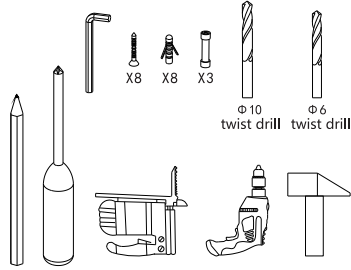
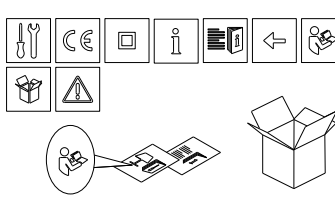
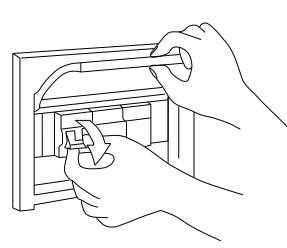
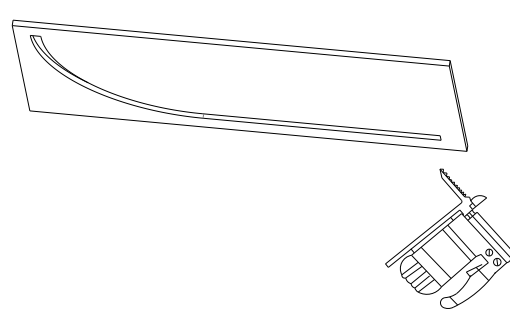
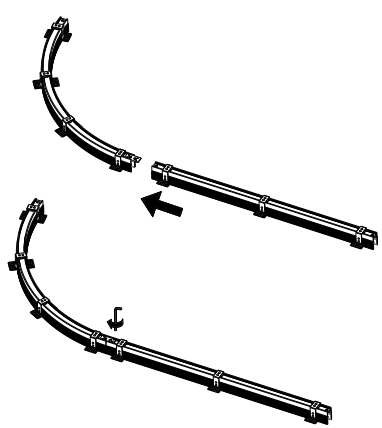
1. This arc-shaped track ST-SXQ-R500 is only used for modeling.
2. There is no conductive circuit, must not connect with a power supply.
3. Can not install light module.
4. Must not connected with a circuit of the straight magnetic track ST-SXQ.

Rated voltage: In accordance with the product labeled  
Rated power: In accordance with the product labeled



## MAINTENANCE AND CLEANING

1. Please turn off the power before cleaning the luminaire to avoid any risk of high voltage electric shock.
2. Please contact the supplier and do not disassemble it by yourself when there is any defect or damage of luminaire.

<p><b>1</b></p>  <p>Ø10 twist drill    Ø6 twist drill</p> <p>X8 X8 X3</p> <p><b>Prepare tools</b></p>	<p><b>2</b></p>  <p><b>Installation Manual</b></p>	<p><b>3</b></p>  <p><b>Power off</b></p>
<p><b>4</b></p>  <p>Cut the opening slot accordingly to cut-out data before installation. For ST-XXZH-R500: Open round slot inner<math>\phi</math>500mm, outer<math>\phi</math>531.4mm, slot width28mm; 1/4 circle:0.83m arc length.</p>	<p><b>5</b></p>  <p>One end of the connecting piece is fixed on the arc-shaped magnetic track ST-SXQ-R500; this is to be used for connecting the arc-shaped magnetic track and the straight magnetic track.</p>	



1. This arc-shaped track ST-SXQ-R500 is only used for modeling.
2. There is no conductive circuit, must not connect with a power supply.
3. Can not install light module.
4. Must not connected with a circuit of the straight magnetic track ST-SXQ.

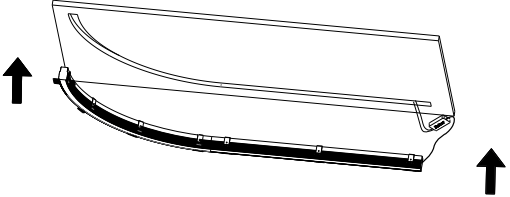
Rated voltage: In accordance with the product labeled  
Rated power: In accordance with the product labeled



### MAINTENANCE AND CLEANING

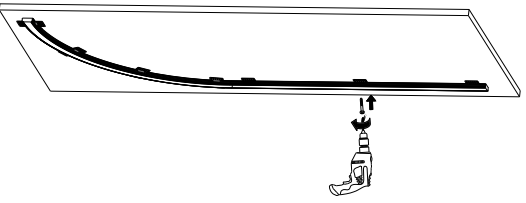
1. Please turn off the power before cleaning the luminaire to avoid any risk of high voltage electric shock.
2. Please contact the supplier and do not disassemble it by yourself when there is any defect or damage of luminaire.

**6**



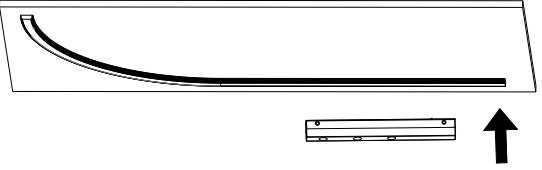
Install the track body into the ceiling holes;  
connect the straight magnetic track to the power supply.

**7**

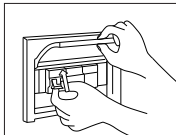


Fix tracks by flat head cross tapping screws.

**8**



Install light modules on straight magnetic track  
ST-SXQ-2500/2000/1500/1000/500.  
Turn on power switch to test.



**9**



After passing the test, paste anti-crack mesh,  
plastering and clean all luminaires.

