

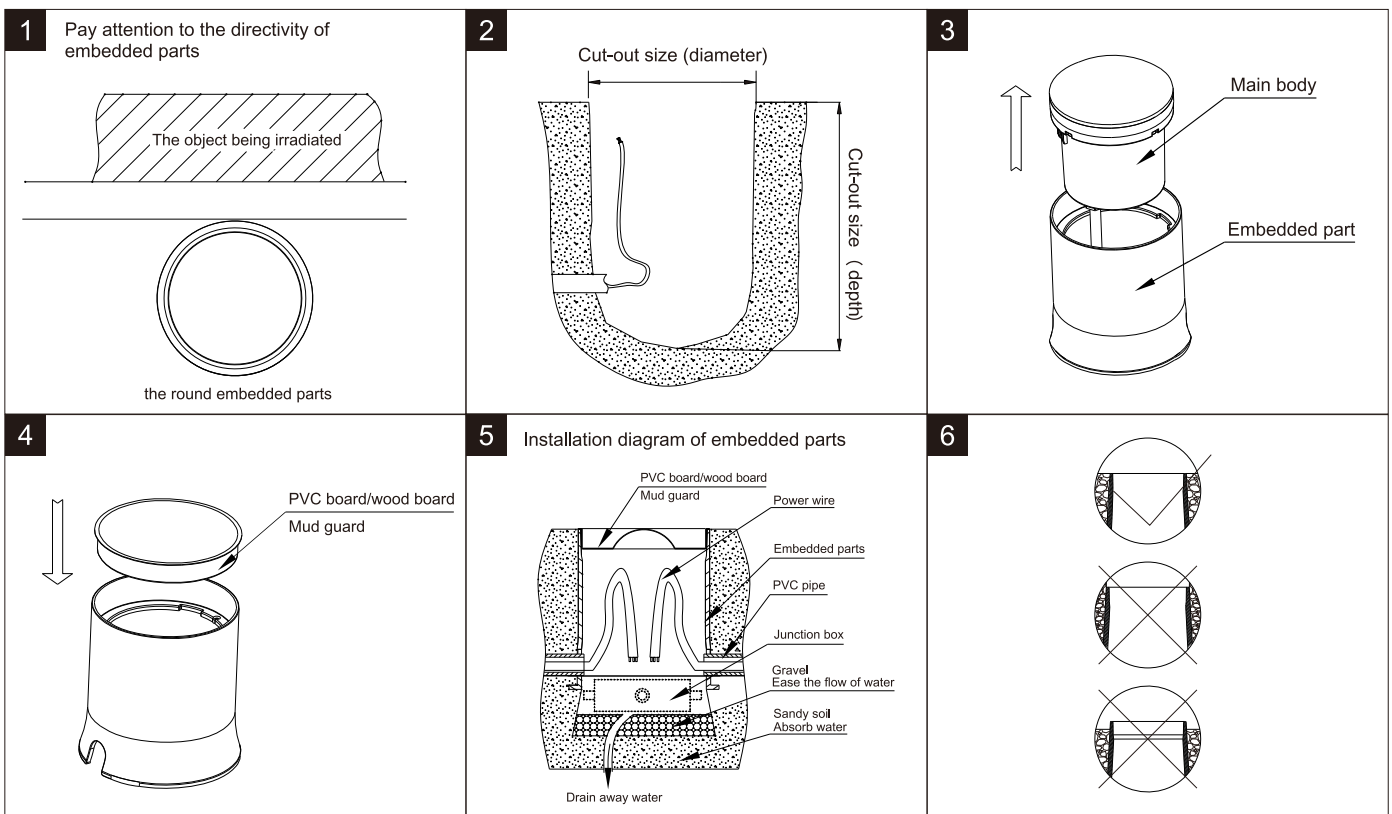
ST-DM17 / ST-DM18 MANUAL

Attentions:

1. Please read installation instructions carefully before installation.
2. Please ask qualified electrician to install to avoid electric shock.
3. In order to prevent the lamp from soaking in water for a long time, the bottom should be provided with a drain pipe or drainage device;
4. Please drill holes according to the hole size of luminaires (see Point 5 of installation step for details).
5. Before installation, please prepare tools, mud blocks (wooden boards and PVC boards are also acceptable) and waterproof junction boxes.
6. Constant voltage 24/CV DMX electrical connections please ask qualified electrician to do it or communicate with suppliers;
7. Please turn off power when maintaining and cleaning to avoid electric shock.
8. Keep this user manual for future use.

1.Installation steps

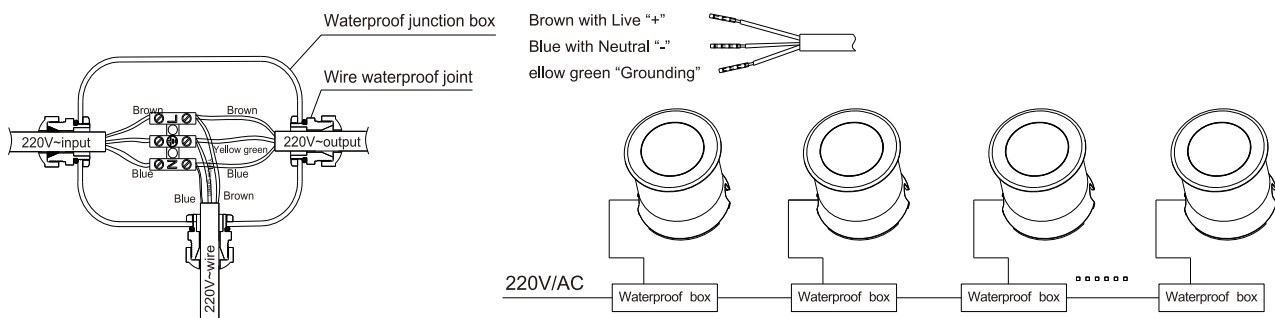
1.Installation of embedded parts (recessed box)



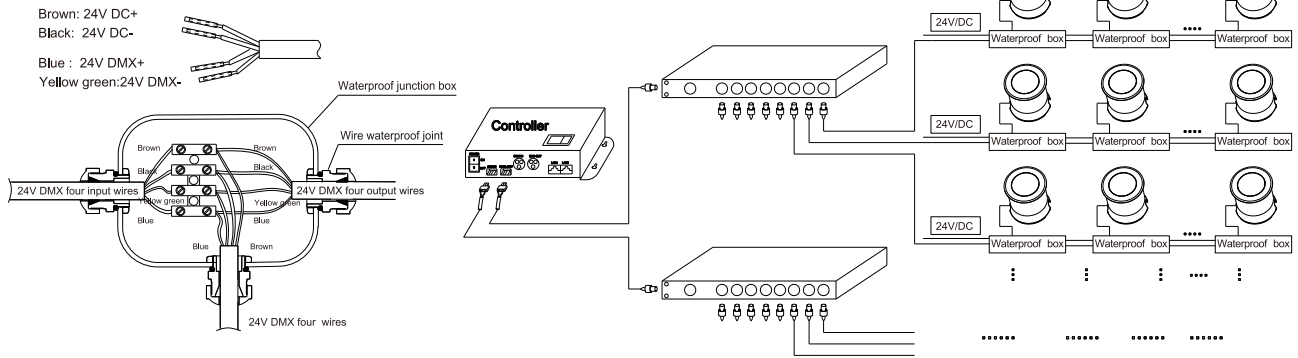
Note: If mud retaining accessories are not prepared for installation, wood boards and PVC boards can be used to cover the top of the embedded parts as well to avoid sundries entering the embedded parts during installation and affecting subsequent installation.

2.External wire connection

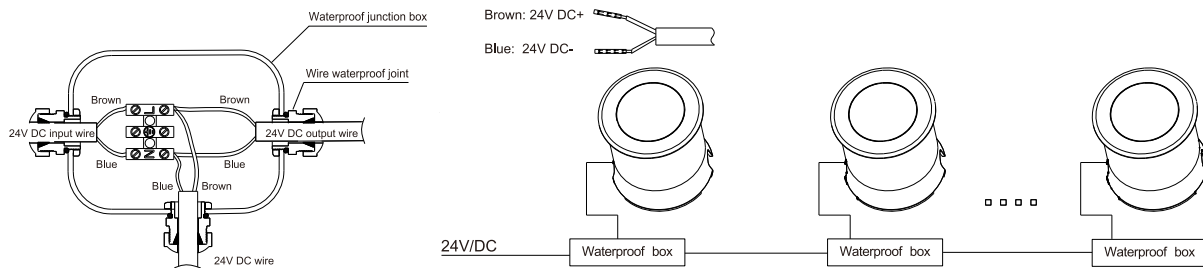
2.1AC220V Connection: Pay special attention to wiring waterproof reliable, safe.



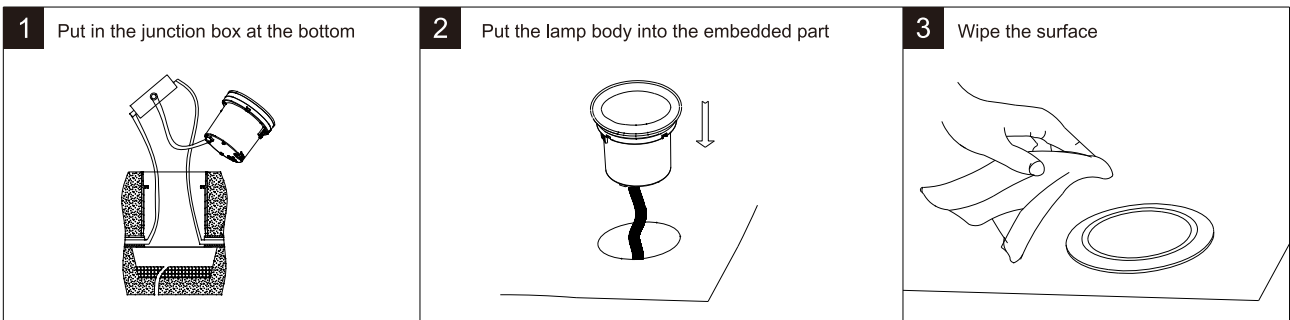
2.2 Constant voltage 24V DMX connection mode



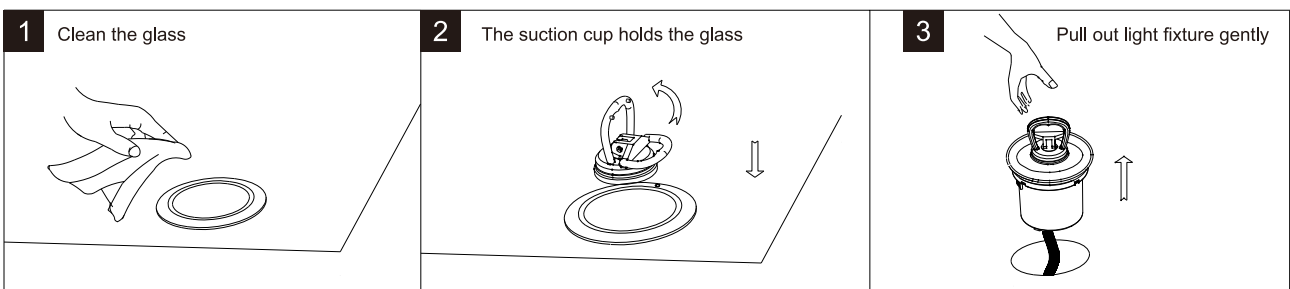
2.3 Constant voltage 24V/VC connection mode



3.Installation of lighting fixture:



4.Maintenance and cleaning:



5.Cut-out size of the each model:

Model No.	ST-DM05	ST-DM06	ST-DM07	ST-DM08	ST-DM09	ST-DM10	ST-DM11	ST-DM12	ST-DM13
Cut-out size	90mm	90mm	90mm	90mm	90mm	75mm	95mm	130mm	95mm
Height of embedded parts	125mm	125mm	125mm	125mm	125mm	135mm	135mm	155mm	135mm
Model No.	ST-DM14	ST-DM15	ST-DM17	ST-DM18	ST-JGD101	ST-JGD201	ST-JGD401	ST-JGD202	
Cut-out size	130mm	155mm	75mm	70mm	85mm	130mm	155mm	92x52mm	
Height of embedded parts	155mm	150mm	75mm	80mm	115mm	155mm	150mm	120mm	

Note: The hole depth should be adjusted according to actual requirements. If the luminaire is purchased with a supporting junction box, the hole depth should be increased by 40mm on the premise of the height of the embedded part. If drainage measures need to be added under the lighting fixture, if measures related to drainage need to be added under the luminaire, the depth should be adjusted according to the thickness of solid sand and stone.