

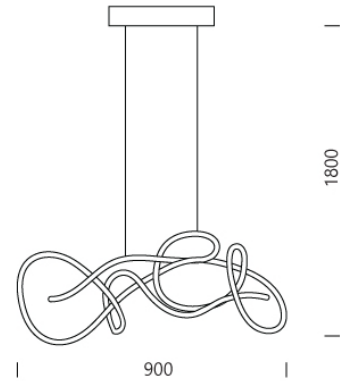
PROJECT : \_\_\_\_\_  
SALE : \_\_\_\_\_

# Lampitude

## Product



## Dimension



## Specification

SERIES	: RENIO-PS
ITEM CODE	: RENIO-PS-RG
DESCRIPTION	: PENDANT LAMP
SIZE	: L900 X W400 X H1800 (MM)
INSTALLATION	: SURFACE MOUNTED
DRILL SIZE	: -
WEIGHT	: 2.8 KG
MATERIAL	: STAINLESS STEEL
COLOR	: ROSE GOLD
REFLECTOR	: -
DIFFUSER	: -
IP RATING	: 20
LIGHT SOURCES	: LED
SOCKET	: -
WATTS	: 64W
VOLT	: -
CCT	: 3000K
CRI	: -
BEAM ANGLE	: -
LUMEN POWER	: 2880LM
LIFETIME	: -
CONTROL GEAR	: LED DRIVER INCLUDED
ACCESSORIES	: -
REMARKS	: -

Head office 299/1 (Ekamai) Klongton-Nua, Wattana, Bangkok Thailand 10110

Tel (02) 392 6371-5 FAX (02) 392 1839 Email [info@lamptitude.net](mailto:info@lamptitude.net) [www.lamptitude.net](http://www.lamptitude.net)

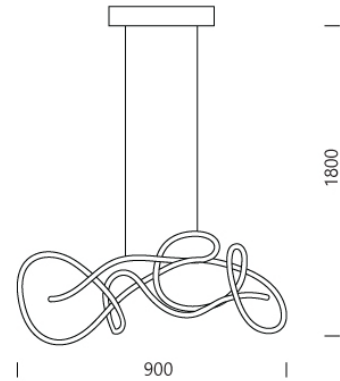
PROJECT : \_\_\_\_\_  
SALE : \_\_\_\_\_

# Lampitude

## Product



## Dimension



## Specification

SERIES	: RENIO-PS
ITEM CODE	: RENIO-PS-BK
DESCRIPTION	: PENDANT LAMP
SIZE	: L900 X W400 X H1800 (MM)
INSTALLATION	: SURFACE MOUNTED
DRILL SIZE	: -
WEIGHT	: 2.8 KG
MATERIAL	: STAINLESS STEEL
COLOR	: MIRROR BLACK
REFLECTOR	: -
DIFFUSER	: -
IP RATING	: 20
LIGHT SOURCES	: LED
SOCKET	: -
WATTS	: 64W
VOLT	: -
CCT	: 3000K
CRI	: -
BEAM ANGLE	: -
LUMEN POWER	: 2880LM
LIFETIME	: -
CONTROL GEAR	: LED DRIVER INCLUDED
ACCESSORIES	: -
REMARKS	: -

Head office 299/1 (Ekamai) Klongton-Nua, Wattana, Bangkok Thailand 10110

Tel (02) 392 6371-5 FAX (02) 392 1839 Email [info@lamptitude.net](mailto:info@lamptitude.net) [www.lamptitude.net](http://www.lamptitude.net)