

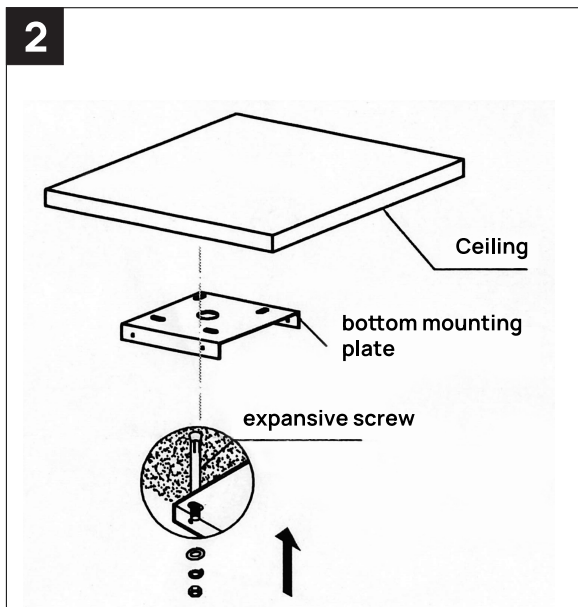
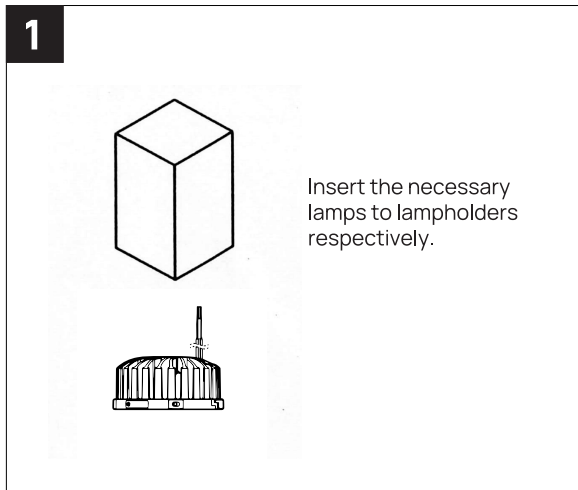
# Q-PEND MANUAL

Lampitude



1. The lamp must be installed in rated voltage and assure safety earth.
2. Installing and fixing the lamp should be processed by professional under the condition power off.
3. When change the lamp bulb please noted that the max wattage shouldn't exceed the labeled wattage.
4. If the external electrical wire damage please change by the professional in time in case of any danger.

Rated voltage: In accordance with the product labeled  
Rated power: In accordance with the product labeled



Unscrew the 4 pcs recess screws on the bottom base of the fitting and remove the bottom mounting plate.  
Reserve the proper length of the electrical wires for the fitting and fix the bottom base on the ceiling where it should be located and installed. then drill four holes on the ceiling with Dia 6 mm where it should be installed according to the hole dimensions of the bottom four holes which has been prepared previously and then fix the bottom mounting plate on the wall with the installation screws tightly.

