

Q-DIO-1R MANUAL

Lampitude



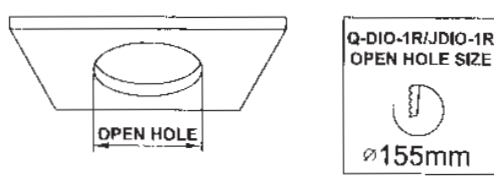
1. The lamp must be installed in rated voltage and assure safety earth.
2. Installing and fixing the lamp should be processed by professional under the condition power off.
3. When change the lamp bulb please noted that the max wattage shouldn't exceed the labeled wattage.
4. If the external electrical wire damage please change by the professional in time in case of any danger.

Rated voltage: In accordance with the product labeled
Rated power: In accordance with the product labeled



1

Step1 Shut off power, make hole as the size shown on the left picture

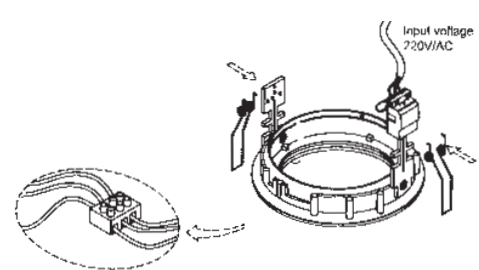


Q-DIO-1R/JDIO-1R
OPEN HOLE SIZE
Ø155mm

Can be installed on the surface of ordinary combustible materials. (0.8m) Light from objects is according to the minimum distance of 0.8 m.

2

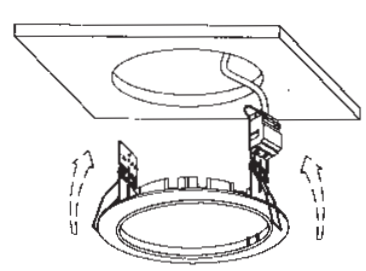
Step2 Attached the 220V wire to the terminal connector(L for live wire, N for null wire),then tighten the screws.



Input voltage 220V/AC

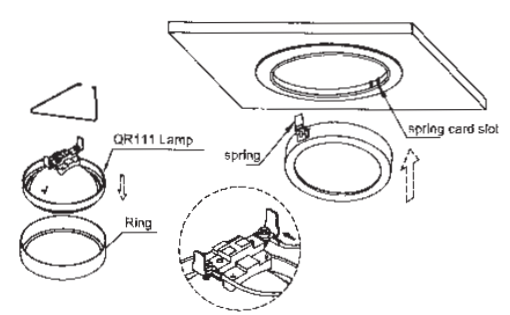
3

Step3 Push up the fitting to the ceiling flatly until the spring is stuck with the ceiling.(Noticed that don't push too hard to prevent damage to the ceiling)



4

Step4 Install the lamp, switch on the power, if the light dose not on, pls check if there's a wrong wire connection or contact the supplier for help.



QR111 Lamp
spring
spring card slot
Ring

Note

1. Please using under above voltage and make sure the product is firmly grounded.
2. Product must be installed and maintained by technical staff under power off.
3. Don't use bulbs over above power rate.
4. If the external wires are out of work, please change it by technical staff for safety.