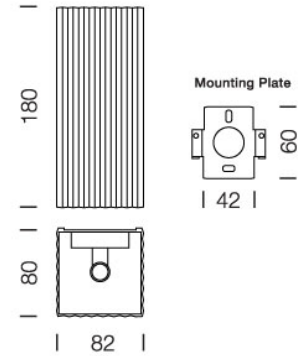


PROJECT : _____
SALE : _____

Lampitude

Product

Dimension



Specification

SERIES	: PLEAT
ITEM CODE	: PLEAT-SQ-W2-BK
DESCRIPTION	: WALL LAMP
SIZE	: Ø82 X H180 X D80 (MM)
INSTALLATION	: SURFACE MOUNTED
DRILL SIZE	: -
WEIGHT	: 0.6 KG
MATERIAL	: DIE-CAST ALUMINUM , TEMPERED GLASS
COLOR	: BLACK
REFLECTOR	: -
DIFFUSER	: -
IP RATING	: 20
LIGHT SOURCES	: LED
SOCKET	: GU10 X 2
WATTS	: MAX 50W
VOLT	: -
CCT	: -
CRI	: -
BEAM ANGLE	: -
LUMEN POWER	: -
LIFETIME	: -
CONTROL GEAR	: -
ACCESSORIES	: -
REMARKS	: BULB NOT INCLUDED

Head office 299/1 (Ekamai) Klongton-Nua, Wattana, Bangkok Thailand 10110

Tel (02) 392 6371-5 FAX (02) 392 1839 Email info@lampitude.net www.lampitude.net

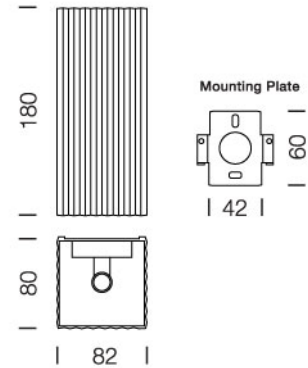
PROJECT : _____
SALE : _____

Lampitude

Product



Dimension



Specification

SERIES	: PLEAT
ITEM CODE	: PLEAT-SQ-W2-WW
DESCRIPTION	: WALL LAMP
SIZE	: Ø82 X H180 X D80 (MM)
INSTALLATION	: SURFACE MOUNTED
DRILL SIZE	: -
WEIGHT	: 0.6 KG
MATERIAL	: DIE-CAST ALUMINUM , TEMPERED GLASS
COLOR	: WHITE
REFLECTOR	: -
DIFFUSER	: -
IP RATING	: 20
LIGHT SOURCES	: LED
SOCKET	: GU10 X 2
WATTS	: MAX 50W
VOLT	: -
CCT	: -
CRI	: -
BEAM ANGLE	: -
LUMEN POWER	: -
LIFETIME	: -
CONTROL GEAR	: -
ACCESSORIES	: -
REMARKS	: BULB NOT INCLUDED

Head office 299/1 (Ekamai) Klongton-Nua, Wattana, Bangkok Thailand 10110

Tel (02) 392 6371-5 FAX (02) 392 1839 Email info@lampitude.net www.lampitude.net