

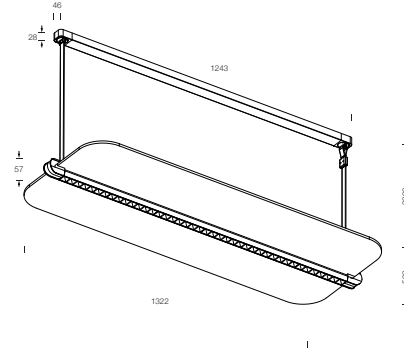
PROJECT : _____
 SALE : _____

Lampitude

Product



Dimension



Specification

SERIES	: PHONIC
ITEM CODE	: PHONIC-P130-4000-GY
DESCRIPTION	: SUSPENSION LAMP
SIZE	: W500 X L1322 X H57 + 2000 (MM)
INSTALLATION	: SURFACE MOUNTED BASE
DRILL SIZE	: -
WEIGHT	: 4.56 KG
MATERIAL	: ALUMINIUM , POLYESTER FIBER ACOUSTIC
COLOR	: GRAY
REFLECTOR	: BLACK
DIFFUSER	: -
IP RATING	: 20
LIGHT SOURCES	: LED SMD
WATTS	: UP 20W , DOWN 20W , SIDE 10W
INPUT VOLTAGE	: AC 220-240V 50/60 Hz
OUTPUT VOLTAGE	: -
CCT	: 4000K
CRI	: >80
BEAM ANGLE	: DOWNLIGHT 57° , DIFFUSED UPLIGHT
LUMEN POWER	: DOWNLIGHT 1180LM , UPLIGHT 2255LM
AMBIENT TEMP	: -20°C TO +40°C
LIFETIME	: 40,000 Hrs
CONTROL GEAR	: NON-DIM DIMMABLE LED DRIVER INCLUDED
ACCESSORIES	: -
REMARKS	: NON-DIM

Head office 299/1 (Ekamai) Klongton-Nua, Wattana, Bangkok Thailand 10110

Tel (02) 392 6371-5 FAX (02) 392 1839 Email info@lamptitude.net www.lamptitude.com