



1. The lamp must be installed in rated voltage and assure safety earth.
2. Installing and fixing the lamp should be processed by professional under the condition power off.
3. When change the lamp bulb please noted that the max wattage shouldn't exceed the labeled wattage.
4. If the external electrical wire damage please change by the professional in time in case of any danger.

Rated voltage: In accordance with the product labeled

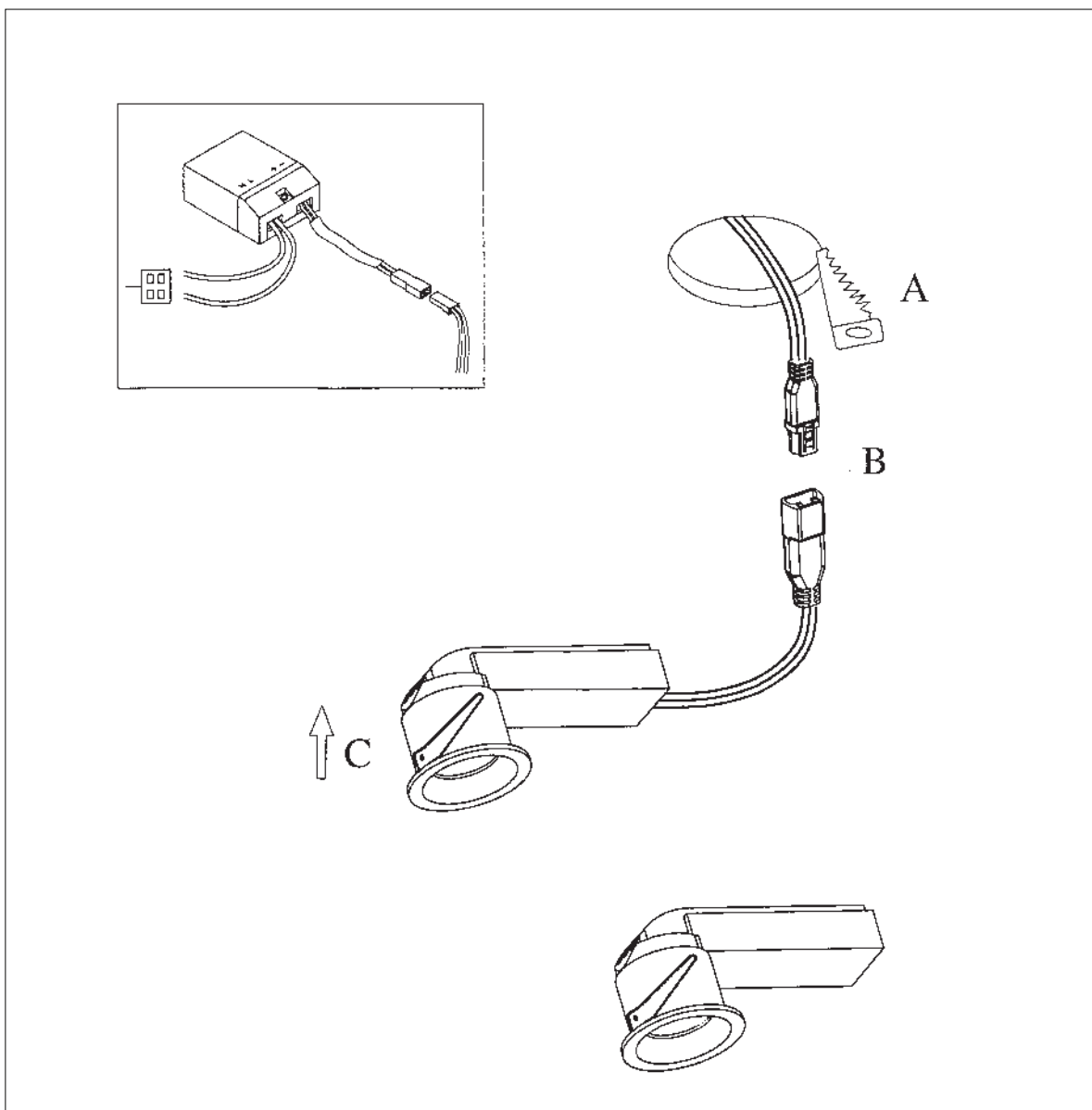
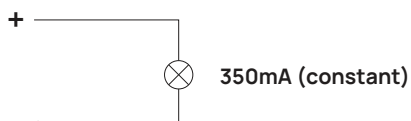
Rated power: In accordance with the product labeled



### CAUTION

While the lamp is working, the surface of it is hot !

Please do not touch the fixture within an hour after the power supply has been switched off. The luminaries must not , under any circumstances , be covered with any insulation materials.



# MEDSA-P6-BK MANUAL

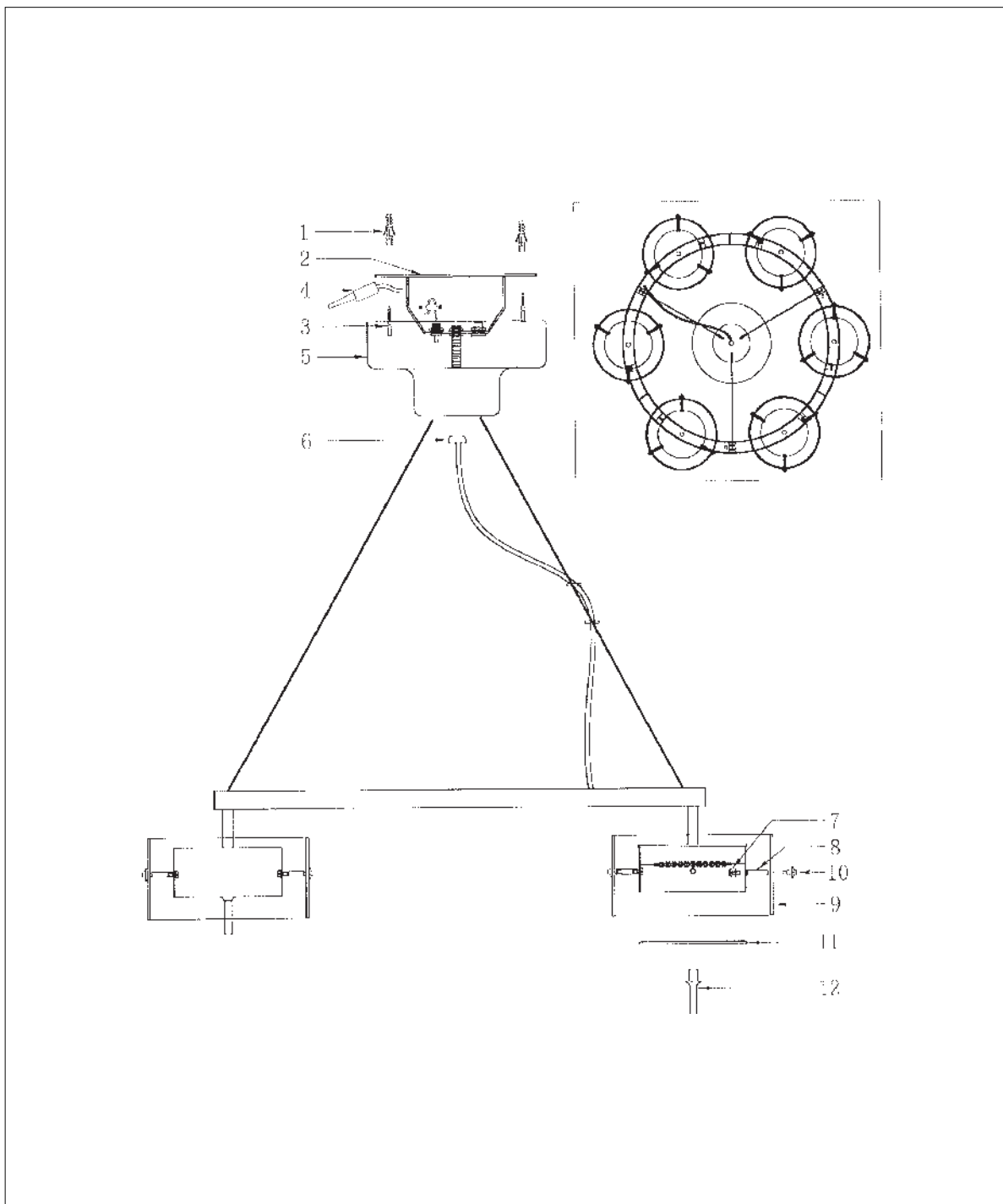
Lamptitude



1. Please read the instruction sheet carefully before installing the lamps.
2. In order to products, please use gloves when assembling the lamps.  
Don't scratch the surface to the products.
3. The lamps can't be used any longer if the cords of lamps are damaged.

## WARNING

Shut off the power, before assembling the lamps. Make sure it's safe then assemble the lamps strictly according to the instruction sheet. Our company will not be responsible for any breakage caused by incorrect installation.



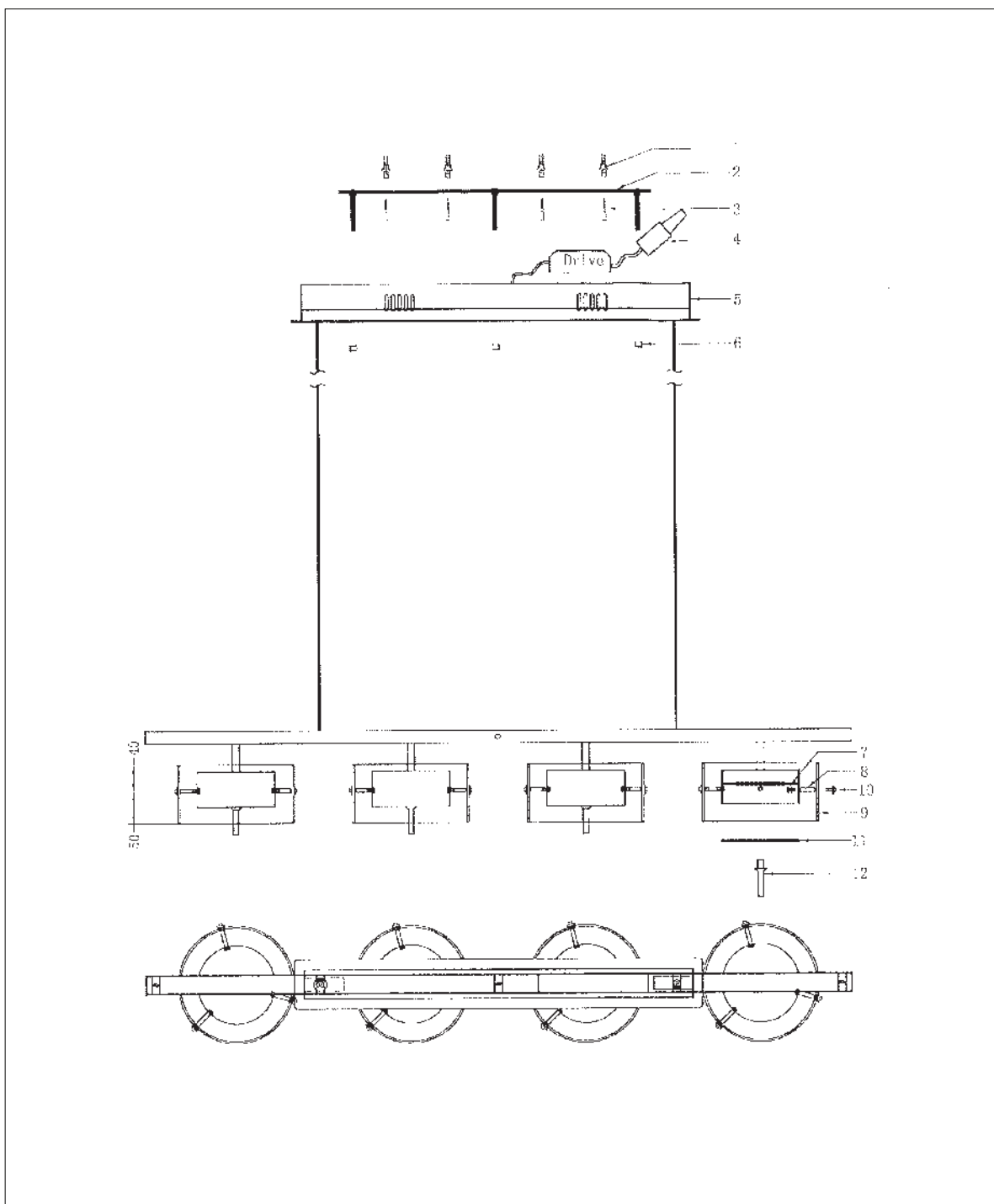
# MEDSA-P4-BK MANUAL



1. Please read the instruction sheet carefully before installing the lamps.
2. In order to products, please use gloves when assembling the lamps.  
Don't scratch the surface to the products.
3. The lamps can't be used any longer if the cords of lamps are damaged.

## WARNING

Shut off the power, before assembling the lamps. Make sure it's safe then assemble the lamps strictly according to the instruction sheet. Our company will not be responsible for any breakage caused by incorrect installation.



# ME-BOX-ADJ MANUAL



1. The lamp must be installed in rated voltage and assure safety earth.
2. Installing and fixing the lamp should be processed by professional under the condition power off.
3. When change the lamp bulb please noted that the max wattage shouldn't exceed the labeled wattage.
4. If the external electrical wire damage please change by the professional in time in case of any danger.

Rated voltage: In accordance with the product labeled  
 Rated power: In accordance with the product labeled



**1**

**First step: Disconnect the main power beforehand, open a hole on the ceiling where it should be installed and located according to the hole dimensions showed on the left**

ME-BOX-LADJ OPEN HOLE SIZE 110x110mm	ME-BOX-2ADJ OPEN HOLE SIZE 215x110mm
ME-BOX-3ADJ OPEN HOLE SIZE 315x110mm	

**2**

**Third step: put the fitting in the ceiling hole which being prepared in the first step (Put the long end of the spring into the ceiling hole first and keep the short end of the spring withstanding the edge of the ceiling hole, push the whole fitting upwards and ensure the fitting being located in the ceiling hole firmly).**

**3**

**Second step: open the plastic terminal connector box connect the 220V electrical wires which being ballasted to the terminal connectors. (Please kindly note the symbol on the terminal connectors: "L" connect to live line, "N" connect to neutral line; ⊕ "connect with the ground wire) reinstall the rear iron box onto the fitting and lock with screws tightly.**

**4**

**Fourth step: insert the necessary lamp in the lampholder and finish the installation procedure. Then connect to the main power for testing, if the lamp lit, it shows that the installation is correct, otherwise please carefully check the wires and electric circuit diagram accordingly. If there is nothing wrong and lamp still can't light, please contact the supplier immediately.**



1. The lamp must be installed in rated voltage and assure safety earth.
2. Installing and fixing the lamp should be processed by professional under the condition power off.
3. When change the lamp bulb please noted that the max wattage shouldn't exceed the labeled wattage.
4. If the external electrical wire damage please change by the professional in time in case of any danger.

Rated voltage: In accordance with the product labeled  
 Rated power: In accordance with the product labeled



**1**

First step: Disconnect the main power beforehand, open a hole on the ceiling where it should be installed and located according to the hole dimensions showed on the left

**3**

Third step: put the fitting in the ceiling hole which being prepared in the first step (Put the long end of the spring into the ceiling hole first and keep the short end of the spring withstanding the edge of the ceiling hole, push the whole fitting upwards and ensure the fitting being located in the ceiling hole firmly).

**5**

Fifth step: The main character of this fitting is that the light head bracket can be pull out and in freely. Illumination angle is adjustable and 360 degree rotation for the light head, customer can adjust optionally according to their individual illumination needs.

Adjustable ↓ 360°

Note: Before you adjust the angle, please take out the frame. After that you can fix the frame on it again.

**2**

Second step: Unscrew the screws on terminal connector box and remove the terminal connector box, then connect output 12V electrical wires which is compatible with the light source power rate of the transformer to terminal connectors. Then reinstall the screws on the terminal connector box.

**4**

Fourth step: insert the necessary lamp in the lampholder(MAX50W) and finish the installation procedure. Then connect to the main power for testing, if the lamp lit, it shows that the installation is correct, otherwise please carefully check the wires and electric circuit diagram accordingly. If there is nothing wrong and lamp still can't light, please contact the supplier immediately.