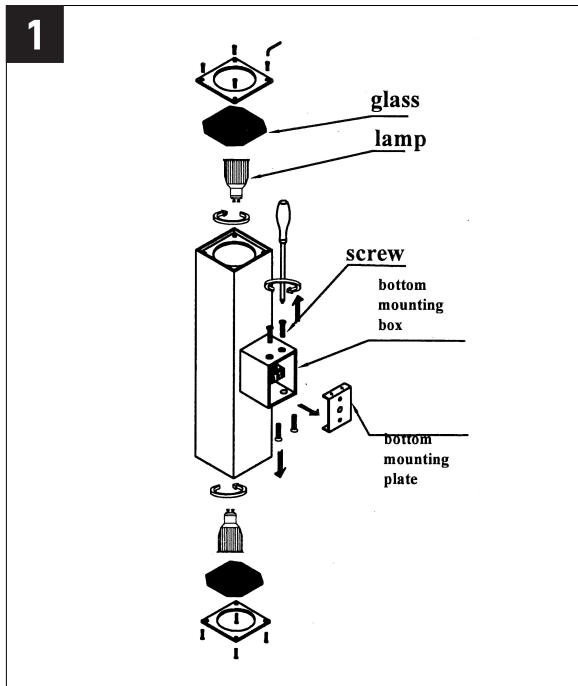


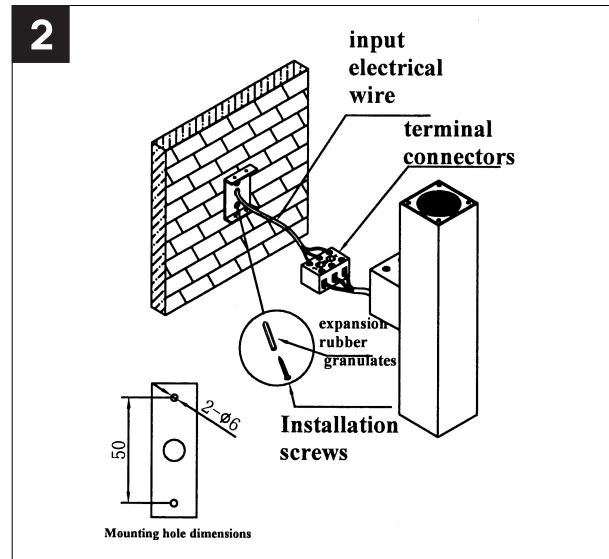


1. The lamp must be installed in rated voltage and assure safety earth.
2. Installing and fixing the lamp should be processed by professional under the condition power off.
3. When change the lamp bulb please noted that the max wattage shouldn't exceed the labeled wattage.
4. If the external electrical wire damage please change by the professional in time in case of any danger.

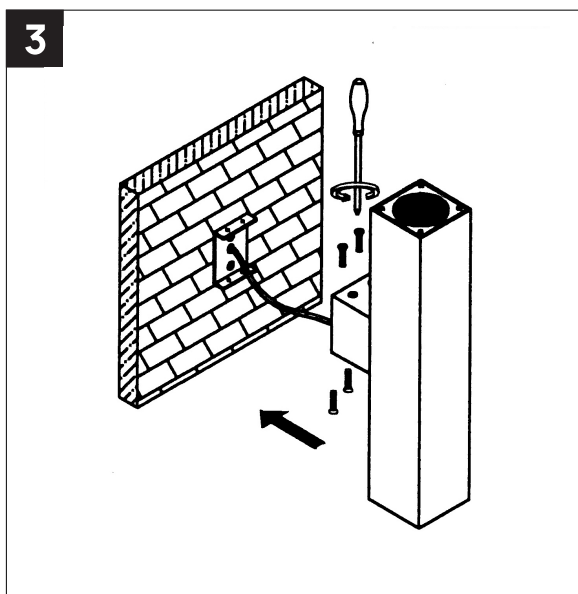
Rated voltage: In accordance with the product labeled
 Rated power: In accordance with the product labeled



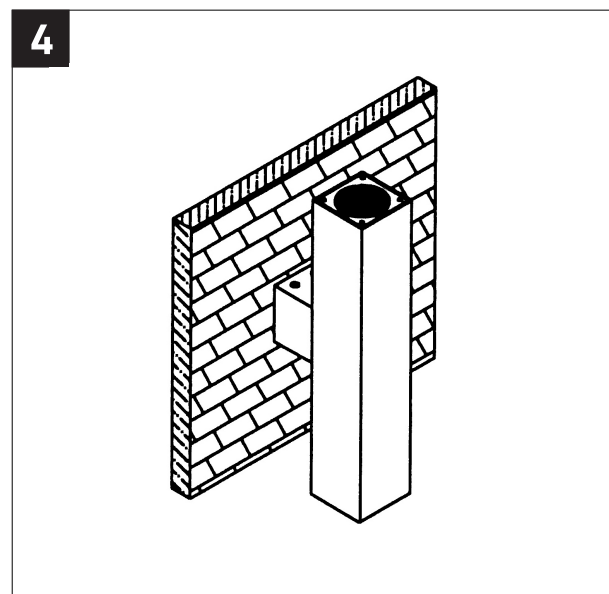
Unscrew 4 pcs internal hexagon screws on the top of the fitting, remove the top cover and glass, then insert the necessary lamps in the up and down position lampholders respectively, finally unscrew 4 pcs screws on the mounting box and dismantle the bottom mounting plate.



Disconnect the main power at first, then Drill two holes on the wall with Dia 6 mm where it should be installed according to the hole dimensions of the bottom mounting plate, take out the expansion rubber granulates and installation screws from accessory plastic bag, then insert the expansion rubber granulates into two holes which has been prepared previously and then fix the bottom mounting plate on the wall with the installation screws tightly. Then access the electrical wires via the wire hole, taking out two threads terminal connectors from the inside the mounting box and connect three wires of the main power to the terminal connectors, please note: on the terminal connectors, the symbol 'L' represent connecting to the live wire; 'N' represent connecting to the neutral wire; '⊕' indicate connecting to the ground wire).



Put the whole fixture on the mounting plate and fix the fitting on the wall firmly with the screws which being unscrewed from the mounting plate in the first step.



The drawing of the fitting for which has been installed completely. After finish all necessary installation procedures, connect to the main power for testing, if the lamp lit, then installation is correct; otherwise please carefully check wires and electrical circuit diagram accordingly, if there is nothing wrong and the lamp still can not lit, please contact the supplier and distributor.