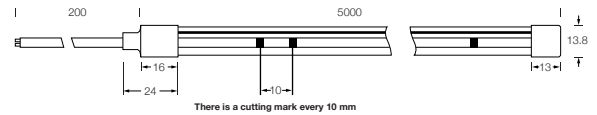


PROJECT : _____
SALE : _____

Lampitude

Product

Dimension



Specification

| | |
|----------------------|-----------------------------------|
| SERIES | : LTE-NEONFLEX |
| ITEM CODE | : LTE-NEONFLEX-930-9W-WW |
| DESCRIPTION | : FLEXIBLE STRIP LIGHT |
| SIZE | : W6 X H12 X L5000 (MM) |
| INSTALLATION | : SURFACE MOUNTED WALL |
| CUTTING MARK | : 10 (MM) |
| WEIGHT | : 0.5 KG |
| MATERIAL | : SILICONE RUBBER |
| COLOR | : WHITE |
| REFLECTOR | : - |
| DIFFUSER | : - |
| IP RATING | : 67 |
| LIGHT SOURCES | : LED |
| WATTS | : 9W / METER |
| INPUT VOLTAGE | : 24V DC |
| INPUT CURRENT | : 375 mA |
| CCT | : 3000K |
| CRI | : 90 |
| BEAM ANGLE | : 110° |
| LUMEN POWER | : 135LM / M |
| AMBIENT TEMP | : -20°C TO +40°C |
| LIFETIME | : 36,000 Hrs |
| CONTROL GEAR | : LED POWER SUPPLY NOT INCLUDED |
| ACCESSORIES | : NOT INCLUDED |
| REMARKS | : DIMMABLE (DEPENDS NOT INCLUDED) |

Head office 299/1 (Ekamai) Klongton-Nua, Wattana, Bangkok Thailand 10110

Tel (02) 392 6371-5 FAX (02) 392 1839 Email info@lamptitude.net www.lamptitude.com

PROJECT : _____

SALE : _____

Lampitude

Accessories



DESCRIPTION FRONT CAP
ITEM CODE SPAC-NEONFLEX-I-FRONT CAP



DESCRIPTION FRONT CAP (L-SHAPE)
ITEM CODE SPAC-NEONFLEX-L-FRONT CAP



DESCRIPTION END CAP
ITEM CODE SPAC-NEONFLEX-END CAP



DESCRIPTION ALUMINIUM CLIP
ITEM CODE SPAC-NEONFLEX-CLIPLOCK



DESCRIPTION CONNECTOR
ITEM CODE SPAC-NEONFLEX-CONNECTOR



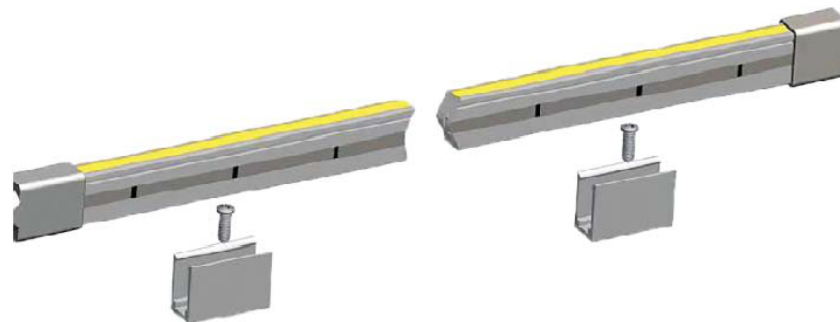
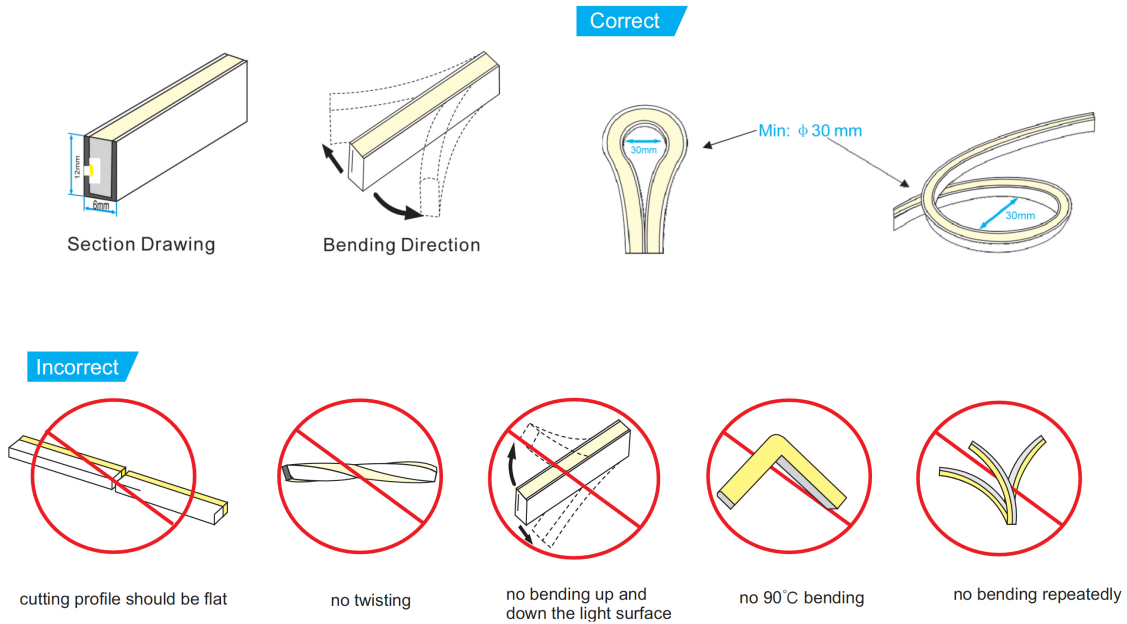
DESCRIPTION SILICONE GLUE
ITEM CODE SPAC-NEONFLEX-GUMFILLER

Head office 299/1 (Ekamai) Klongton-Nua, Wattana, Bangkok Thailand 10110

Tel (02) 392 6371-5 FAX (02) 392 1839 Email info@lamptitude.net www.lamptitude.com

PROJECT : _____
SALE : _____

Accessories

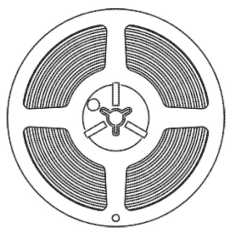
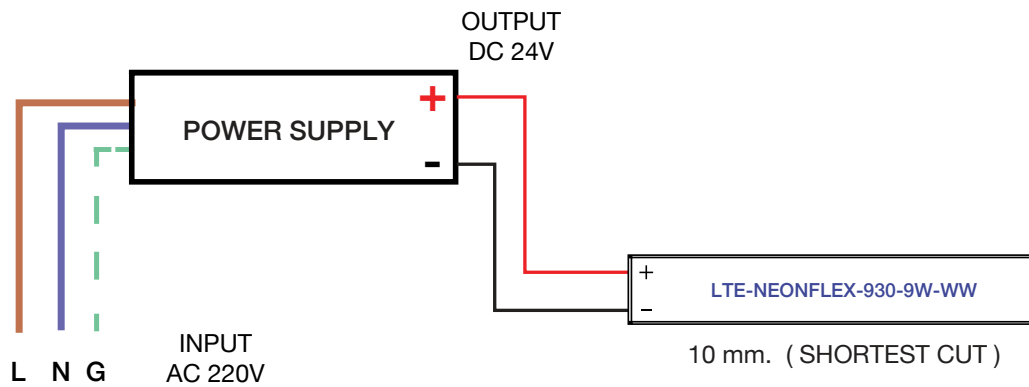


- 1、 to fix the clips onto the mounting surface, 3 pcs per meter recommended;
- 2、 to fix the neon strip into the clips

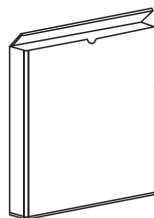
PROJECT : _____
SALE : _____

Accessories

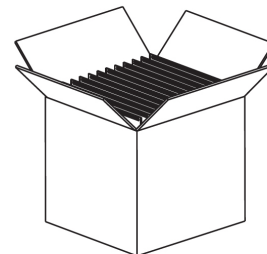
WIRING DIAGRAM



12 inch *12 mm
Standard Length: 5 meters /roll



309*308*38 mm
2 rolls per box



405*320*328 mm
10 boxes per carton
Gross weight: 18 kgs