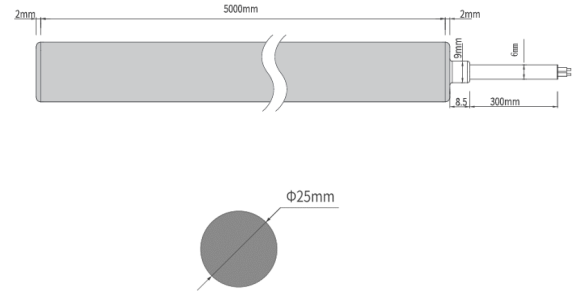
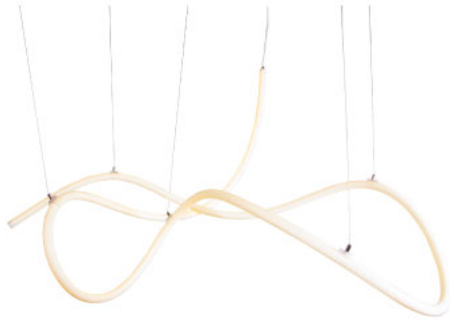


PROJECT : \_\_\_\_\_  
 SALE : \_\_\_\_\_



Product

Dimension



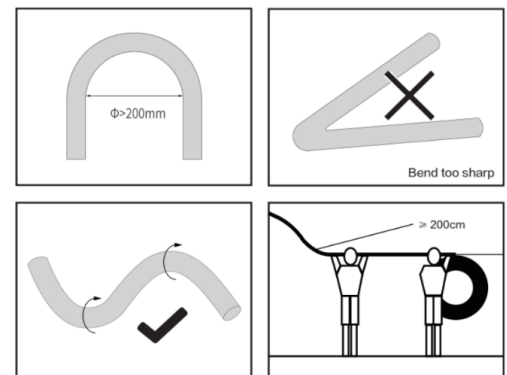
Specification

SERIES : JR-RONDO  
 ITEM CODE : JR-RONDO-LEDLINE-927-50-10W-TW  
 DESCRIPTION : LED NEONFLEX  
 SIZE : Ø25 X L5000 (MM) / 1 ROLL (5 METERS)

INSTALLATION : CEILING HANGING  
 DRILL SIZE : -  
 WEIGHT : 3 KG  
 MATERIAL : SILICONE RUBBER  
 COLOR : WHITE  
 REFLECTOR : -  
 DIFFUSER : SILICONE RUBBER  
 IP RATING : 65

LIGHT SOURCES : LED CHIP SMD 3014 (240 LEDs/M)  
 VOLT : 24V DC (MIN 23.5 V,MAX 24.5)  
 WATTS : 10 W/M  
 LUMEN POWER : 517 LM/M  
 CCT : 2700K-5000K  
 CRI : 90  
 BEAM ANGLE : 360°  
 AMBIENT TEMP. : -20°C TO +45°C  
 LIFETIME : 25,000 Hrs

CONTROL GEAR : INDOOR POWER SUPPLY (CGPS-LRS-150W-24V-MW)+CGCT-AAU-A1BLCX-CV+LT  
 ACCESSORIES : PLEASE READ PAGE2  
 REMARKS : PLEASE MAKE SURE THE MINIMUM BENDING SHOULD BE OVER 200MM, INSTALLATION WITH AT LEAST TWO WORKERS TO AVOID PRODUCT DAMAGE



Head office 299/1 (Ekamai) Klongton-Nua, Wattana, Bangkok Thailand 10110

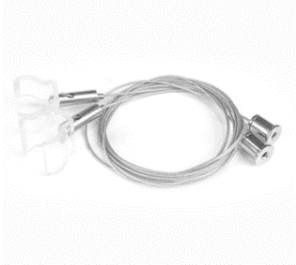
Tel (02) 392 6371-5 FAX (02) 392 1839 Email info@lamptitude.net www.lamptitude.net

PROJECT : \_\_\_\_\_

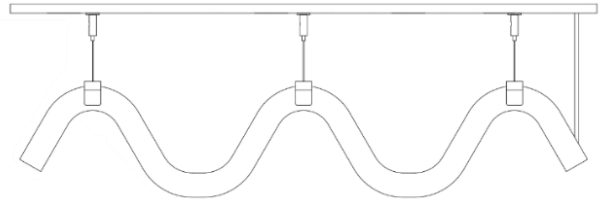
SALE : \_\_\_\_\_

# Lampitude

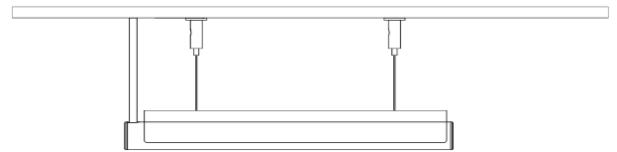
## OPTIONAL ACCESSORIES



**SPAC-RONDO-AC204**  
(HORIZONTAL LIFTING CLIP, 2 PIECES/SET)  
FOR S-SHAPED LIFTING INSTALLATION,  
SURFACE MOUNTED INSTALLATION  
(USE 3 SETS / 5 M)  
WIRE LENGTH 1.5M/PIECE



**SPAC-RONDO-AC211**  
(HORIZONTAL LIFTING PROFILE, 1M/PIECE)  
FOR HORIZONTAL LIFTING INSTALLATION



**SPAC-RONDO-AC200**  
(SURFACE MOUNTING PROFILE, 1M/PIECE)  
For SURFACE MOUNTING INSTALLATION  
OR CUT 100MM/PIECE FOR USE AS A CONNECTOR



**SPAC-RONDO-AC202**  
(SILICONE CLOSED ENDCAP)  
FOR CLOSING THE END, IF NEED TO CUT LEDLINE

Head office 299/1 (Ekamai) Klongton-Nua, Wattana, Bangkok Thailand 10110

Tel (02) 392 6371-5 FAX (02) 392 1839 Email [info@lampitude.net](mailto:info@lampitude.net) [www.lampitude.net](http://www.lampitude.net)