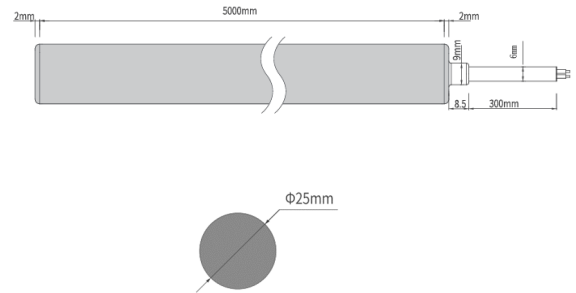
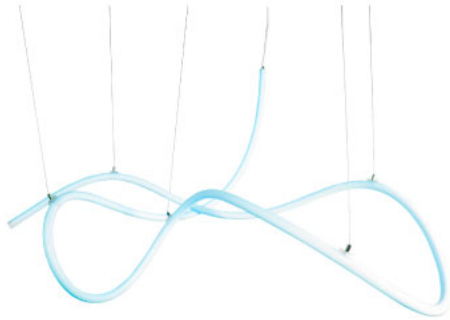


PROJECT : _____
 SALE : _____



Product

Dimension

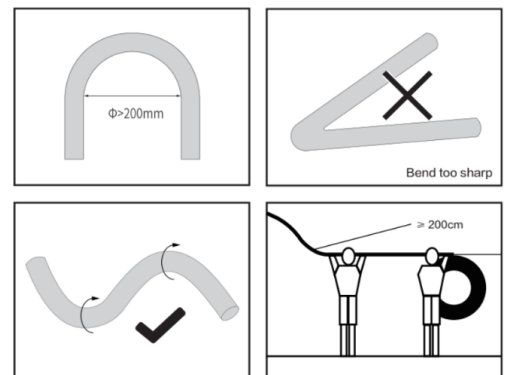


Specification

SERIES : JR-RONDO
 ITEM CODE : JR-RONDO-LEDLINE-16W-RGBW
 DESCRIPTION : LED NEONFLEX
 SIZE : Ø25 X L5000 (MM) / 1 ROLL (5 METERS)

INSTALLATION : CEILING HANGING
 DRILL SIZE : -
 WEIGHT : 3 KG
 MATERIAL : SILICONE RUBBER
 COLOR : WHITE
 REFLECTOR : -
 DIFFUSER : SILICONE RUBBER
 IP RATING : 65

LIGHT SOURCES : LED CHIP SMD 3014 (240 LEDs/M)
 VOLT : 24V DC (MIN 23.5 V, MAX 24.5)
 WATTS : 16 W/M (4 W/COLOR)
 LUMEN POWER : 510 LM/M (R:58 LM, G:194 LM, B:32 LM , W2700K 219 LM)
 CCT : RGB+2700K
 CRI : 90
 BEAM ANGLE : 360°
 AMBIENT TEMP. : -20°C TO +45°C
 LIFETIME : 25,000 Hrs



CONTROL GEAR : INDOOR POWER SUPPLY (CGPS-LRS-150W-24V-MW)+CGCT-AAU-A1BLCX-CV+LT
 ACCESSORIES : PLEASE READ PAGE2
 REMARKS : PLEASE MAKE SURE THE MINIMUM BENDING SHOULD BE OVER 200MM, INSTALLATION WITH AT LEAST TWO WORKERS TO AVOID PRODUCT DAMAGE

Head office 299/1 (Ekamai) Klongton-Nua, Wattana, Bangkok Thailand 10110

Tel (02) 392 6371-5 FAX (02) 392 1839 Email info@lampitude.net www.lampitude.net

PROJECT : _____

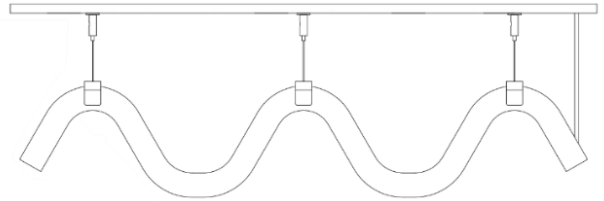
SALE : _____

Lampitude

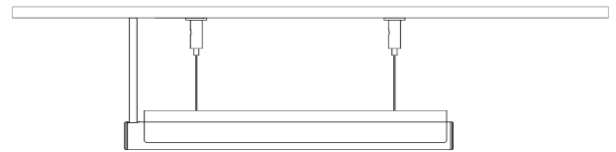
OPTIONAL ACCESSORIES



SPAC-RONDO-AC204
(HORIZONTAL LIFTING CLIP, 2 PIECES/SET)
FOR S-SHAPED LIFTING INSTALLATION,
SURFACE MOUNTED INSTALLATION
(USE 3 SETS / 5 M)
WIRE LENGTH 1.5M/PIECE



SPAC-RONDO-AC211
(HORIZONTAL LIFTING PROFILE, 1M/PIECE)
FOR HORIZONTAL LIFTING INSTALLATION



SPAC-RONDO-AC200
(SURFACE MOUNTING PROFILE, 1M/PIECE)
For SURFACE MOUNTING INSTALLATION
OR CUT 100MM/PIECE FOR USE AS A CONNECTOR



SPAC-RONDO-AC202
(SILICONE CLOSED ENDCAP)
FOR CLOSING THE END, IF NEED TO CUT LEDLINE

Head office 299/1 (Ekamai) Klongton-Nua, Wattana, Bangkok Thailand 10110

Tel (02) 392 6371-5 FAX (02) 392 1839 Email info@lampitude.net www.lampitude.net