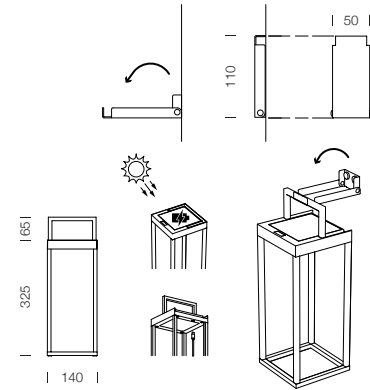


PROJECT : \_\_\_\_\_  
SALE : \_\_\_\_\_

# Lampitude

## Product

## Dimension



## Specification

<b>SERIES</b>	: HANDY
<b>ITEM CODE</b>	: 611202
<b>DESCRIPTION</b>	: SOLAR CELL / RECHARGEABLE PORTABLE WALL LAMP
<b>SIZE</b>	: W140 X L140 X H325 (MM) / WALL MOUNT PART W50 X H110 (MM)
<b>INSTALLATION</b>	: STANDING / HANG WITH A HANGING STAND
<b>DRILL SIZE</b>	: -
<b>WEIGHT</b>	: 1.14 KG
<b>MATERIAL</b>	: ALUMINIUM
<b>COLOR</b>	: SIGNAL BLACK
<b>REFLECTOR</b>	: -
<b>DIFFUSER</b>	: -
<b>IP RATING</b>	: 54
<b>LIGHT SOURCES</b>	: LED
<b>WATTS</b>	: 2.2W
<b>INPUT VOLTAGE</b>	: 5V
<b>OUTPUT VOLTAGE</b>	: -
<b>CCT</b>	: 3000K
<b>CRI</b>	: ≥80
<b>BEAM ANGLE</b>	: DIFFUSED BEAM
<b>LUMEN POWER</b>	: 183LM
<b>AMBIENT TEMP</b>	: -20°C to +40°C
<b>LIFETIME</b>	: -
<b>ACCESSORIES</b>	: WITH CONNECTING CHARGING BASE INCLUDED / DC 5V 1A POWER ADAPTER NOT INCLUDED
<b>REMARKS</b>	: LITHIUM BATTERY 2*2200mAh , TOUCH SWITCH FOR CONTROL , USB CHARGING TIME TIME: 6-7H , WORKING TIME 11-13H / SOLAR CHARGING TIME 16-17H

Head office 299/1 (Ekamai) Klongton-Nua, Wattana, Bangkok Thailand 10110

Tel (02) 392 6371-5 FAX (02) 392 1839 Email info@lamptitude.net www.lamptitude.com