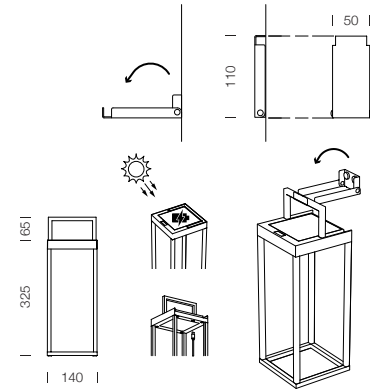


PROJECT : _____
 SALE : _____

Lampitude

Product

Dimension



Specification

SERIES	: HANDY
ITEM CODE	: 611201
DESCRIPTION	: SOLAR CELL / RECHARGEABLE PORTABLE WALL LAMP
SIZE	: W140 X L140 X H325 (MM) / WALL MOUNT PART W50 X H110 (MM)
INSTALLATION	: STANDING / HANG WITH A HANGING STAND
DRILL SIZE	: -
WEIGHT	: 1.14 KG
MATERIAL	: ALUMINIUM
COLOR	: SIGNAL WHITE
REFLECTOR	: -
DIFFUSER	: -
IP RATING	: 54
LIGHT SOURCES	: LED
WATTS	: 2.2W
INPUT VOLTAGE	: 5V
OUTPUT VOLTAGE	: -
CCT	: 3000K
CRI	: ≥80
BEAM ANGLE	: DIFFUSED BEAM
LUMEN POWER	: 183LM
AMBIENT TEMP	: -20°C to +40°C
LIFETIME	: -
ACCESSORIES	: WITH CONNECTING CHARGING BASE INCLUDED / DC 5V 1A POWER ADAPTER NOT INCLUDED
REMARKS	: LITHIUM BATTERY 2*2200mAh , TOUCH SWITCH FOR CONTROL , USB CHARGING TIME TIME: 6-7H , WORKING TIME 11-13H / SOLAR CHARGING TIME 16-17H

Head office 299/1 (Ekamai) Klongton-Nua, Wattana, Bangkok Thailand 10110

Tel (02) 392 6371-5 FAX (02) 392 1839 Email info@lamptitude.net www.lamptitude.com