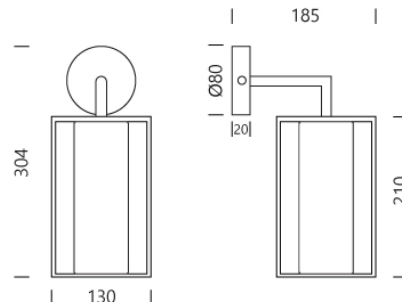


PROJECT : \_\_\_\_\_

SALE : \_\_\_\_\_

Product

Dimension



Specification

|               |                            |
|---------------|----------------------------|
| SERIES        | : GLIM                     |
| ITEM CODE     | : GLIM-W-WH                |
| DESCRIPTION   | : WALL LAMP                |
| SIZE          | : W130 X H304 X D185 (MM)  |
| INSTALLATION  | : SURFACE MOUNTED WALL     |
| DRILL SIZE    | : -                        |
| WEIGHT        | : 0.8 KG                   |
| MATERIAL      | : STAINLESS STEEL , FABRIC |
| COLOR         | : WHITE                    |
| REFLECTOR     | : -                        |
| DIFFUSER      | : -                        |
| IP RATING     | : 20                       |
| LIGHT SOURCES | : INCANDESCENT OR LED      |
| SOCKET        | : E27 X 1                  |
| WATTS         | : MAX 40W                  |
| VOLT          | : -                        |
| CCT           | : -                        |
| CRI           | : -                        |
| BEAM ANGLE    | : -                        |
| LUMEN POWER   | : -                        |
| LIFETIME      | : -                        |
| CONTROL GEAR  | : -                        |
| ACCESSORIES   | : -                        |
| REMARKS       | : BULB NOT INCLUDED        |