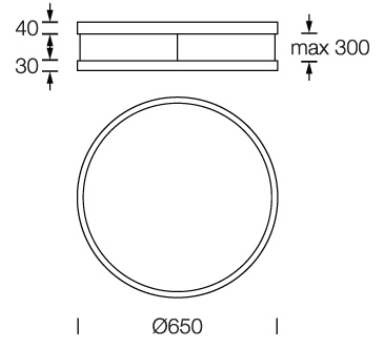


PROJECT : _____

SALE : _____

Product

Dimension



Specification

SERIES	: CATURN
ITEM CODE	: CATURN-BK-65
DESCRIPTION	: CEILING LAMP
SIZE	: Ø650 X H300 (MM)
INSTALLATION	: SURFACE MOUNTED
DRILL SIZE	: -
WEIGHT	: 5 KG
MATERIAL	: DIE-CAST ALUMINUM , FROSTED ACRYLIC
COLOR	: WHITE , BLACK
REFLECTOR	: -
DIFFUSER	: -
IP RATING	: 20
LIGHT SOURCES	: LED SMD 2216-3SDCM TUNABLE WHITE
SOCKET	: -
WATTS	: MAX 35W
VOLT	: 24V DC
CCT	: 2300-4000K
CRI	: -
BEAM ANGLE	: -
LUMEN POWER	: -
LIFETIME	: -
CONTROL GEAR	: LED DRIVER INCLUDED (DIMMABLE)
ACCESSORIES	: -
REMARKS	: -