

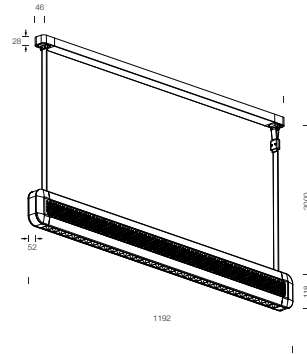
PROJECT : \_\_\_\_\_  
SALE : \_\_\_\_\_

# Lampitude

## Product



## Dimension



## Specification

<b>SERIES</b>	: ACOUSTIC-SQ
<b>ITEM CODE</b>	: ACOUSTIC-SQ-P120-4000K-BK
<b>DESCRIPTION</b>	: SUSPENSION LAMP
<b>SIZE</b>	: W52 X L1192 X H118 + 2000 (MM)
<b>INSTALLATION</b>	: SURFACE MOUNTED BASE
<b>DRILL SIZE</b>	: -
<b>WEIGHT</b>	: 4.53 KG
<b>MATERIAL</b>	: ALUMINIUM
<b>COLOR</b>	: BLACK
<b>REFLECTOR</b>	: BLACK
<b>DIFFUSER</b>	: -
<b>IP RATING</b>	: 20
<b>LIGHT SOURCES</b>	: LED SMD
<b>WATTS</b>	: UP 20W , DOWN 20W
<b>INPUT VOLTAGE</b>	: AC 220-240V 50/60 Hz
<b>OUTPUT VOLTAGE</b>	: -
<b>CCT</b>	: 4000K
<b>CRI</b>	: >80
<b>BEAM ANGLE</b>	: 48° DOWNLIGHT , DIFFUSED UPLIGHT
<b>LUMEN POWER</b>	: DOWNLIGHT 1870LM , UPLIGHT 2775LM
<b>AMBIENT TEMP</b>	: -20°C TO +40°C
<b>LIFETIME</b>	: 40,000 Hrs
<b>CONTROL GEAR</b>	: NON-DIM DIMMABLE LED DRIVER INCLUDED
<b>ACCESSORIES</b>	: -
<b>REMARKS</b>	: NON-DIM

Head office 299/1 (Ekamai) Klongton-Nua, Wattana, Bangkok Thailand 10110

Tel (02) 392 6371-5 FAX (02) 392 1839 Email info@lamptitude.net www.lamptitude.com