



Industrial 4-Port USB 2.0 Hub
(Part Number: USB-HUB-2 (2.0/4-port))



Communications made easy

[Http://www.CommFront.com](http://www.CommFront.com)

■ **INTRODUCTION**

The USB-HUB-2 (2.0/4-port) is a rugged, industrial-grade 4-port USB 2.0 hub that can be used to expand one USB 2.0 port into four. This product supports data rates up to 480Mbps (auto-sensing and self-adjusting) and it requires no software drivers. The unit features 15kV ESD protection, over-current protection circuitry, and plug and play (hot-pluggable). This industrial USB 2.0 hub is efficiently powered from the USB bus and it requires no external power for low power-consumption applications, such as a keyboard, mouse, or flash drive. It also comes with two optional DC power inputs for high power-consumption applications, such as a USB scanner, USB hard drive, or USB camera. And thanks to the professional casing design and mounting brackets, the product can be mounted directly on a wall, panel, or DIN rail, making it an ideal solution for all types of USB expansion applications.

■ **FEATURES**

- Industrial grade enclosed in a rugged steel housing.
- Expands one USB 2.0 port into four.
- Plug and play (hot-pluggable), no software drivers required.
- DIN-Rail or wall/panel mounting.
- Bus powered for low power-consumption applications, e.g. a keyboard, mouse, or flash drive.
- External 5VDC (power adapter - included) or 9 to 36VDC (UPS power) for high power-consumption applications, e.g. a USB scanner, USB hard drive, or USB camera.
- Data rate auto-sensing and self-adjusting.
- Supports data rates up to 480Mbps.
- Operating temperature: -4°F to 158°F (-20°C to 70°C).
- Built-in 15kV ESD protection and over-current circuit protection.
- Surface Mount Technology manufactured to RoHS and ISO-9001 standards.
- Safety: Strictly certified by SGS (Cert no. EM/2015/10053C; EM/2015/10054C).
- 5-year manufacturer's warranty.

■ **SPECIFICATIONS**

Compatibility:	USB 2.0 (backward compatible)
Power Source:	USB bus power; External 5VDC/3A power adapter (included); Or External 9 to 36VDC (UPS power)
Data Rates:	Up to 480Mbps (auto-sensing and self-adjusting)
Distances:	USB: 10ft (3m)
Connectors:	Host: 1x Type B Female; Device: 4x Type A Female
Accessories:	1x 6ft (1.8m) USB extension cord (Type A male to Type B male)
Static Protection (ESD):	Up to 15kV
Dimensions (H x W x D):	5.6 x 2.5 x 1 in (142 x 64 x 25 mm) (excluding brackets)
Weight:	10.4 oz (295 g)
Operating Temperature:	-4°F to 158°F (-20°C to 70°C)
Operating Humidity:	5-95% RH (no condensation)

■ DIMENSIONS

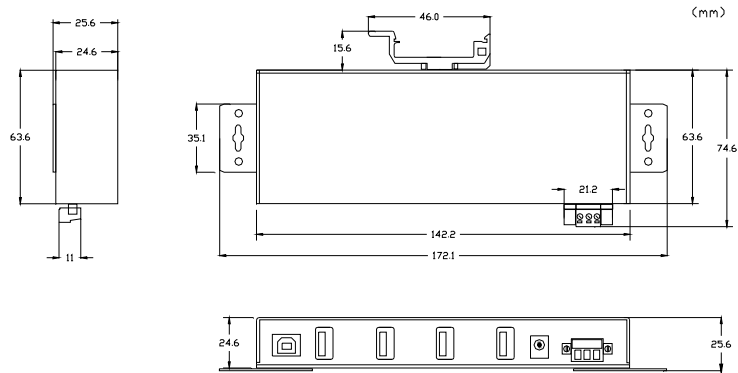


FIGURE 1: USB-HUB-2 DIMENSIONS

■ INSTALLATIONS

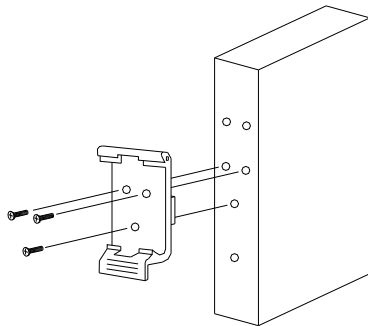


FIGURE 2: DIN-RAIL MOUNTING

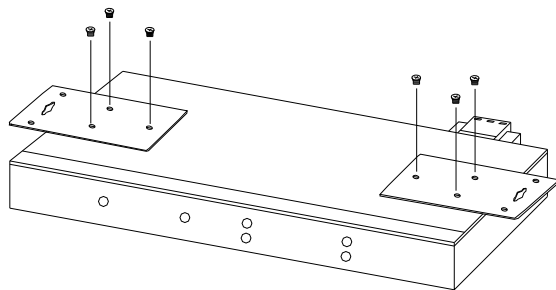


FIGURE 3: WALL/PANEL MOUNTING

■ PACKING CONTENTS

- USB-HUB-2 x1
- USB connection cable x1
- DIN-Rail mounting accessories x1
- Wall mounting accessories x1

■ TROUBLESHOOTING

- Depending on the devices that it is connected to, the USB-HUB-2 operates at 480Mbps for "high-speed" devices such as USB video cameras (USB 2.0), 12Mbps for "full-speed" devices such as printers or scanners (USB 1.1), and 1.5Mbps for "low-speed" devices such as a keyboard or mouse (USB 1.1). All of the above-mentioned types of devices can operate at the same time.
- If there are high current-consumption devices used with the product, please connect the provided 5VDC power adapter to the DC input jack or connect a 9 to 36VDC to the DC input terminal block.
- Check Device Manager (Windows) and be sure that a "Generic USB Hub" shows up under "USB Serial Bus Controllers" when the USB-HUB-2 is connected.