



HVLP AIR CAP AND FLUID NOZZLE CHART

MODEL NO.	AIR CAPS	Press / Siphon	*MAX GUN INLET PRESS. FOR HVLP	FAN CONTROL	SCFM @ MAX GUN INLET	AIR CAP RING	STANDARD IN CAT PACK	AVAILABLE FLUID NOZZLES TIPS	NEEDLES / marking on needle
FE-LINE LOW CFM (FELCFM)				60-1317	6	21-1001		31-0205 0.5mm (.020")	40-1801 (1801)
			15		8		Included	31-0208 0.8mm (.022")	
	21-1090	pressure	15		8			31-0210 1.0mm (.040")	
	21-1091	pressure	15		10			31-0212 1.2mm (.046")	
	21-1092	pressure	15		13		Included	31-0213 1.3mm (.052")	
	21-1093	pressure	18					31-0214 1.4mm (.055")	
	21-1094	pressure	33					31-0215 1.5mm (.059")	
						Included	31-0216 1.6mm (.063")		
							Included	31-0217 1.7mm (.070")	

*Note: Air cap test gages are available to confirm HVLP compliance.

Actual fluid nozzle and air cap combinations are determined by application (see application chart page 4)

*Gun inlet pressures may vary as required by application

Operation and Maintenance Instructions for *FE-LCFM* Spray Guns

Operation

1. Connect air supply hose at handle of gun.
2. Connect a pressurized fluid supply to the gun fluid inlet.
3. Fluid flow can be controlled using the fluid control knob, this restricts flow by limiting needle travel. It is best to control fluid flow by proper selection of fluid orifice size and use the fluid control knob to “fine tune flow rate”.
4. Fan width can be adjusted using the fan control knob. Turning the knob clockwise narrows the fan.

Maintenance

IMPORTANT! Routine cleaning and maintenance is essential to insure proper gun operation.

Several states prohibit spraying solvent into the atmosphere and require the use of covered gun cleaner.

1. If a gun cleaner is being used, connect and clean the gun in the gun cleaner according to the manufactures instructions.
2. If a gun cleaner is not being used:
Remove air cap and clean separately using clean solvent.
For pressure setups, connect a pressurized solvent supply to the fluid inlet, trigger the gun allowing solvent to flow thru the gun until clean.

**NOTE: Gun head disassembly is not recommended for normal cleaning and maintenance.
Not recommended to soak entire spray gun in solvent.**

Gun head disassembly and reassembly instructions:

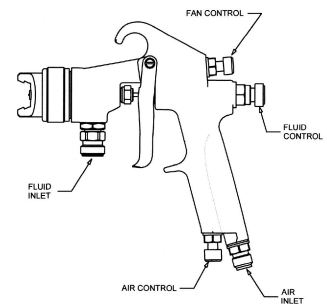
Have repair kit # 10-140 available before gun disassembly.

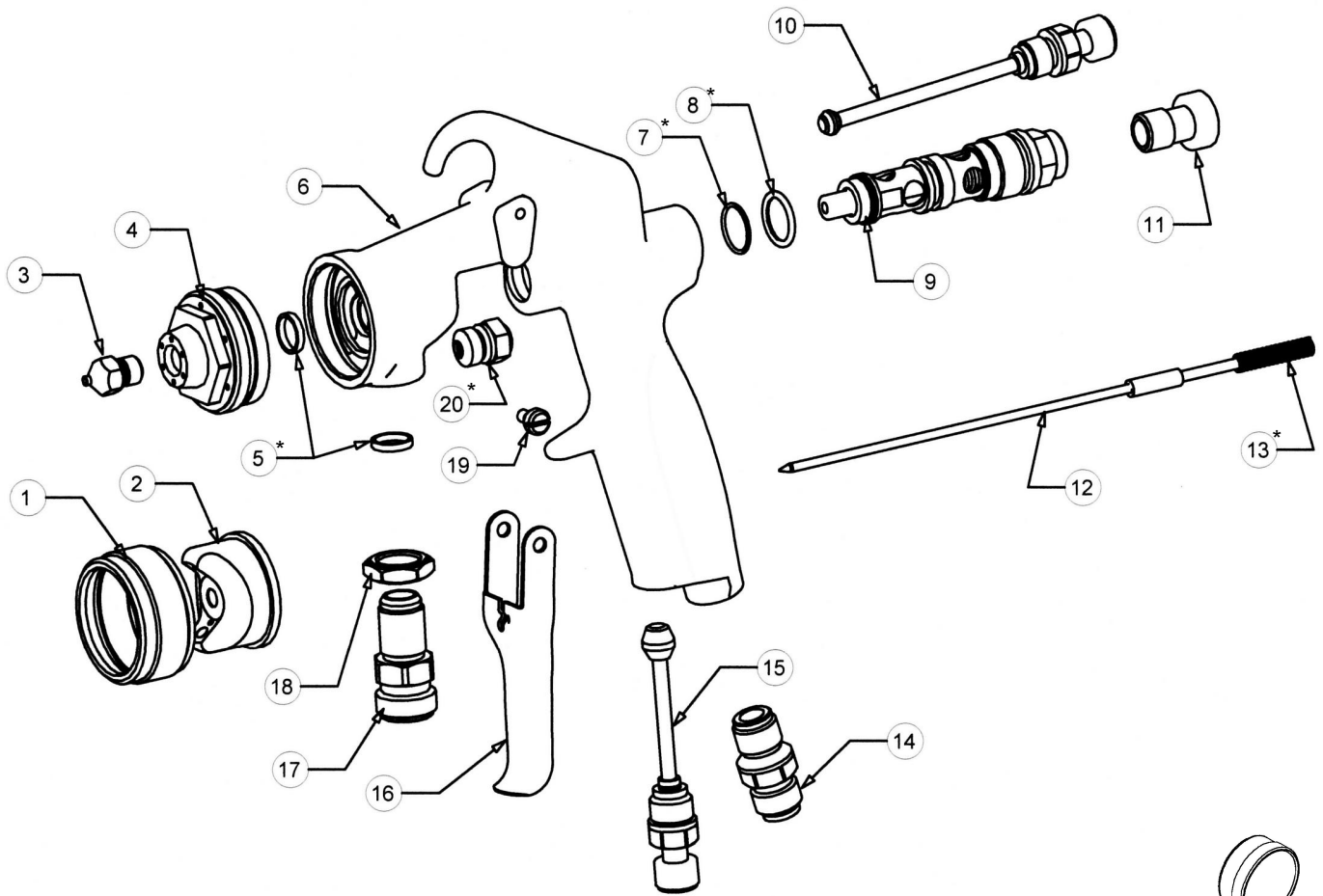
Disassembly

1. Remove the trigger by removing both screws (19).
2. Remove fluid control knob (11).
3. Remove needle return spring (13) and needle (12).
4. Remove air valve assembly (9) using a 9/16” wrench.
5. Using a 7/16” wrench remove the needle seal cartridge (20).
6. Using a 13 mm wrench remove the side port control (10) and air control (15).
7. Using a 11/16” wrench loosen locknut (18), using a 5/8” wrench remove fluid inlet (17).
8. Remove air cap (1 & 2), remove fluid tip (3) using a 3/8” socket.
9. Using a 1” wrench remove head insert (4).

Reassembly

1. Install a new o-ring (7 and 8) on air valve assembly, lightly lubricate o-rings with vasoline and reinstall air valve (9) into the gun body (6).
2. Install a new seal (5) in gun body (6). Reinstall head insert into gun body and tighten. Reinstall fluid tip (3) and tighten.
3. Install new seal (5) in gun body. Reinstall and tighten fluid inlet (17). Tighten locknut (18) after fluid inlet has been tightened.
4. Remove the shipping pin from a new needle seal cartridge (20). Install new needle seal cartridge (20).
5. Reinstall side port control (10) and air control (15).
6. Reinstall needle (12), needle return spring (13) and fluid control knob (11).
7. Reinstall air cap (1 & 2).





HVLP AIR CAP TEST GAGES	
FOR FELCFM GUNS	21-1090-G
	21-1092-G
	21-1093-G
	21-1094-G

ITEM NO.	PART NO.	DESCRIPTION	ITEM NO.	PART NO.	DESCRIPTION
1	See Air Cap Chart	Air Cap Ring**	11	60-1312	Fluid Control Knob
2	See Air Cap Chart	Air Cap**	12	See Air Cap Chart	Fluid Needle**
3	See Air Cap Chart	Fluid Nozzle Tip**	13	60-211	Needle Return Spring*
4	60-36	Head Insert	14	60-104	Air Inlet Fitting
5	60-137	O-Ring*	15	60-1319	Air Control
6	60-1301-BL	Gun Handle	16	60-2111	Trigger
7	98-5125	O-Ring*	17	60-126	Fluid Inlet
8	98-5225	O-Ring*	18	60-128	Locknut
9	60-1320	Air Valve Assembly	19	60-1315	Trigger Pivot Set (2)
10	60-1317	Side Port Control	20	60-1329	Needle Seal Cartridge*

**See air cap selection chart on page 1

*Indicates part included in repair kit # 10-140

FLUID NOZZLE / AIR CAP SELECTION CHARTS

FE-LCFM Series - Pressure Feed Guns

FE-LCFM HVLP SPRAY GUN

MATERIAL TYPE	FLUID ORIFICE x AIR CAP	MAXIMUM PATTERN WIDTH	CFM
Very Thin less than 16 sec. Zahn #2 inks , dyes, solvents, stains	0.5, 0.8 mm x 1090 (LCFM)	10	6
	0.5, 0.8 mm x 1091 (LCFM)	11	8
	0.5, 0.8 mm x 1092 (LCFM)	11	8
Thin 16 to 20 sec. Zahn #2 lacquers, enamels, primers, sealers	1.0, 1.2 mm x 1091 (LCFM)	11	8
	1.0, 1.2 mm x 1092 (LCFM)	11	8
	1.0, 1.2 mm x 1093	12	10
Medium 21 to 30 sec. Zahn #2 automotive base coat enamels, primers epoxies, urethanes automotive clear coat	1.3, 1.4, 1.5 mm x 1090 (LCFM)	10	6
	1.3, 1.4, 1.5 mm x 1091 (LCFM)	11	8
	1.3, 1.4, 1.5 mm x 1092 (LCFM)	11	8
	1.3, 1.4, 1.5 mm x 1093	12	10
	1.3, 1.4, 1.5 mm x 1094	13	13
Heavy over 30 sec. Zahn #2 heavy body primers high solid enamels high solid automotive coatings adhesives	1.6, 1.7 mm x 1094	12	13

*LCFM indicates air caps that require low cubic feet per minute air volume and can be operated with a 1.5 HP compressor.

CP-FELCFM Smart Pack Includes:

98-0104 3/8" Socket
98-0112 Ratchet Wrench
60-8001 Gun Wrench
98-0113 Gun Cleaning Brush
Air Caps and Needles Shown on Page 1



CP-FELCFM

CP-FELCFM-303R2 Includes:

51-303 1 QT Aluminum Pressure Cup
52-5R2 Pressure Cup Regulator
98-0104 3/8" Socket
98-0112 Ratchet Wrench
60-8001 Gun Wrench
98-0113 Gun Cleaning Brush
Air Caps and Needles Shown on Page 1



CP-FELCFM-303R2

CP-FELCFM-PPSR2 Includes:

91-460 950 mL 3M™ PPS™ Pressure Cup
91-462 Lids and Liners (Available in 25 Pack)
91-475 #18 PPS Adapter
52-5R2 Pressure Cup Regulator
98-0104 3/8" Socket
98-0112 Ratchet Wrench
60-8001 Gun Wrench
98-0113 Gun Cleaning Brush
Air Caps and Needles Shown on Page 1



CP-FELCFM-PPSR2