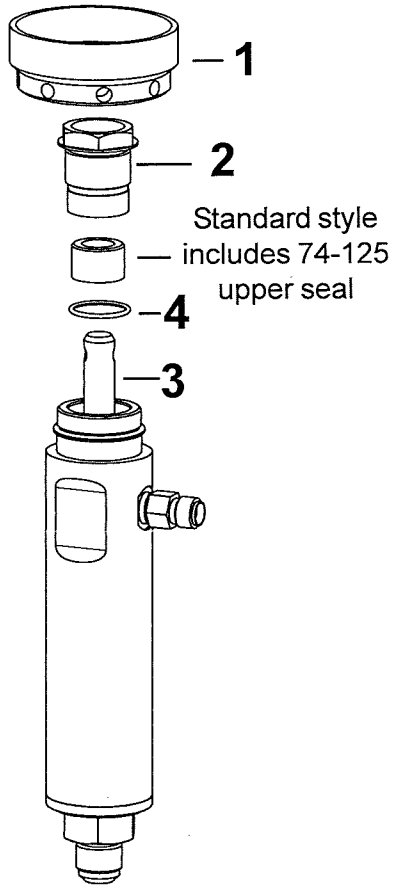
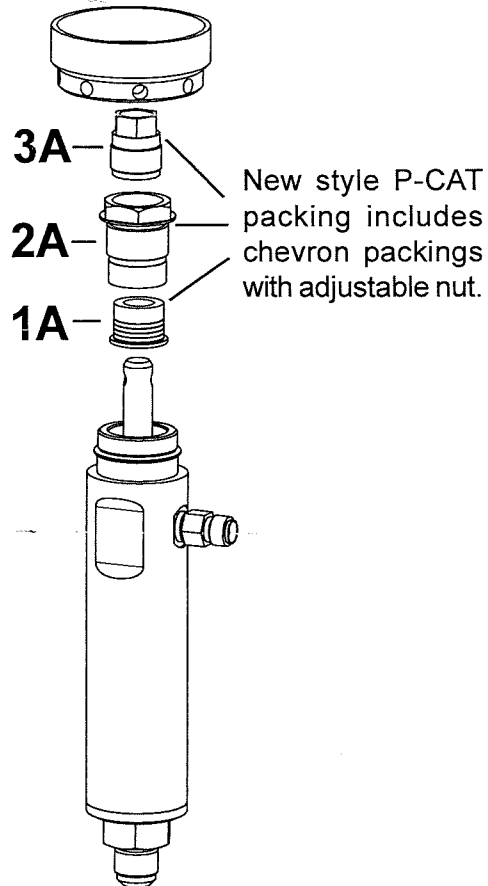


# P-CAT Upper Seal

## Standard Seal



## P-CAT Seal



To change the standard upper seal out with the new P-CAT seal, disconnect the fluid section from the air motor. Unscrew the solvent cup(1) from the fluid section. This will allow it to completely separate to work on as above. Unscrew the packing nut(2), Pull the pump rod (3) to the up position and remove the standard seal, also remove the o-ring(4). Now add the new chevron packing(1A), screw in and tighten the new packing nut(2A). Next hand tighten the new adjustable nut(3A). Put the fluid section back in place and hook back up to the air motor. Run the pump and tighten the adjustable nut(3A) as needed.