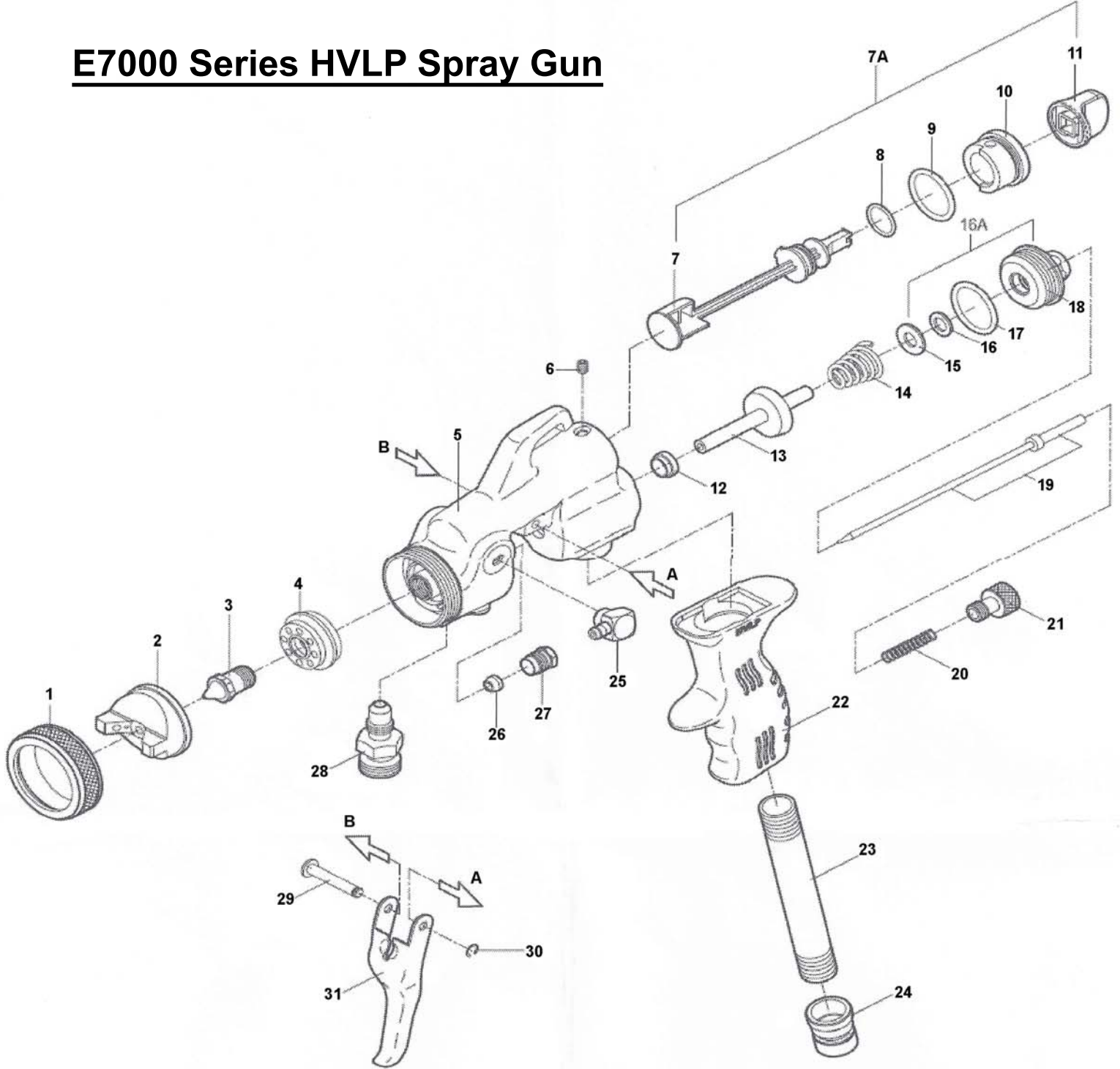


E7000 Series HVLP Spray Gun



No.	Item #	Description	Qty.
1	E7001	Air Cap Ring	1
2	E7002	Air Cap	1
3	E7003	Fluid Nozzle	1
4	E7004	Air Distributor	1
5	E7005	Spray Gun Body	1
6	E7006	Fan Pattern retaining screw	1
7	E7007	Fan Pattern Adjustment Shaft	1
7A	E7007A	Fan Pattern Assembly Shaft complete with O-rings and knob	1
8	E7008	Fan Pattern Shaft O-ring (Small)	1
9	E7009	Fan Pattern Shaft O-ring (Large)	1
10	E7010	Fan Pattern Seat	1
11	E7011	Fan Pattern Adjustment Knob	1
12	E7012	Air Valve Bushing	1
13	E7013	Air Valve	1
14	E7014	Air Valve Return Spring	1
15	E7015	Air Valve Spring Seating Gasket	1

No.	Item #	Description	Qty.
16	E7016	Flow Screw Bushing Gasket	1
17	E7017	Flow Screw Bushing O-ring	1
18	E7018	Flow Screw Bushing	1
19	E7019	Needle Assembly	1
20	E7020	Needle Return Spring	1
21	E7021	Material Adjustment Screw	1
22	E7022	Handle	1
23	E7023	Handle Tube	1
24	E7024	Handle Coupler	1
25	E7025	Air Feed Connector (angle)	1
26	E7026	Gland Seal	1
27	E7027	Gland Seal Nut	1
28	E7028	Fluid Inlet Connector	1
29	E7029	Trigger Pivot	1
30	E7030	Trigger Pivot Clip	1
31	E7031	Trigger	1