



51-851 SINGLE REGULATED
51-852 DOUBLE REGULATED

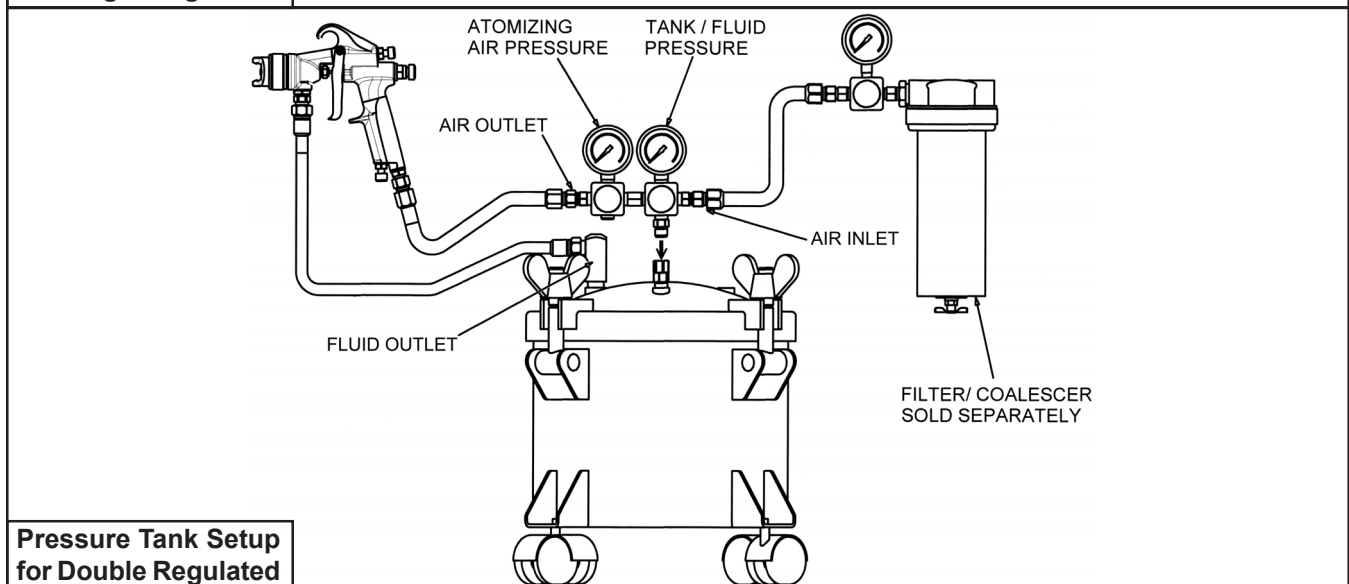
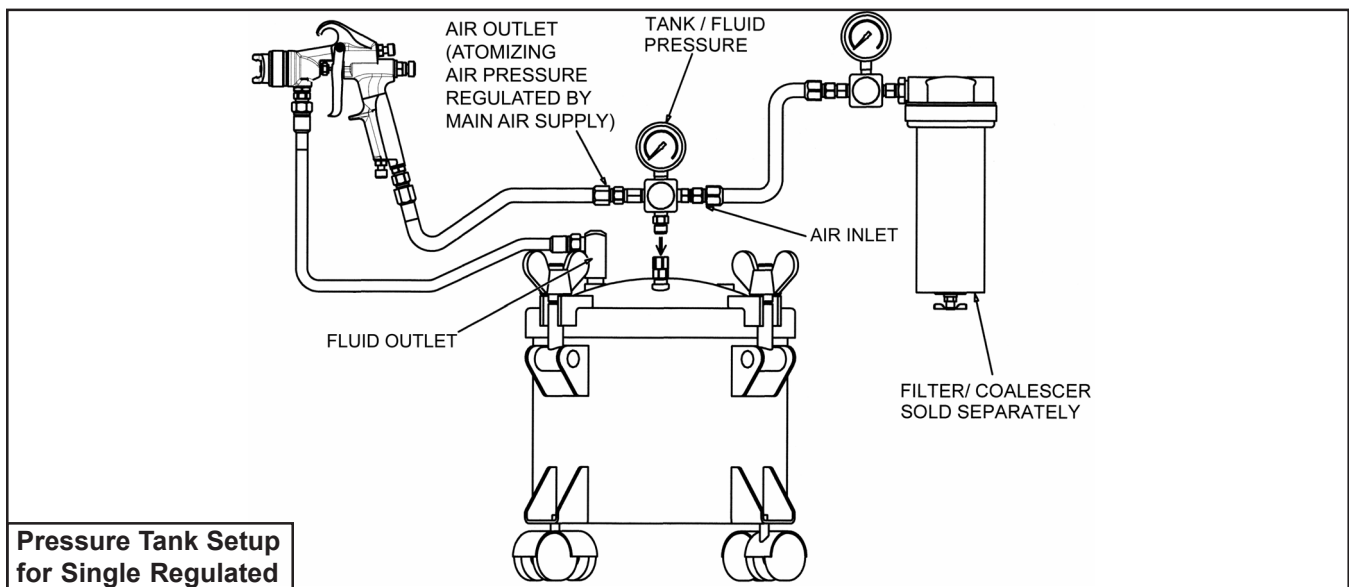
IMPORTANT NOTE: IF THIS PRESSURE TANK IS TO BE USED FOR SPRAYING FLAMMABLE MATERIALS, OPERATOR MUST NOT PRESSURIZE THIS TANK MORE THAN 15 PSI TO MEET OSHA REQUIREMENTS. FOR NON-ASME PRESSURE VESSELS. IT IS THE RESPONSIBILITY OF THE OPERATOR TO FOLLOW THIS MANDATORY PROCEDURE.

GENERAL INFORMATION

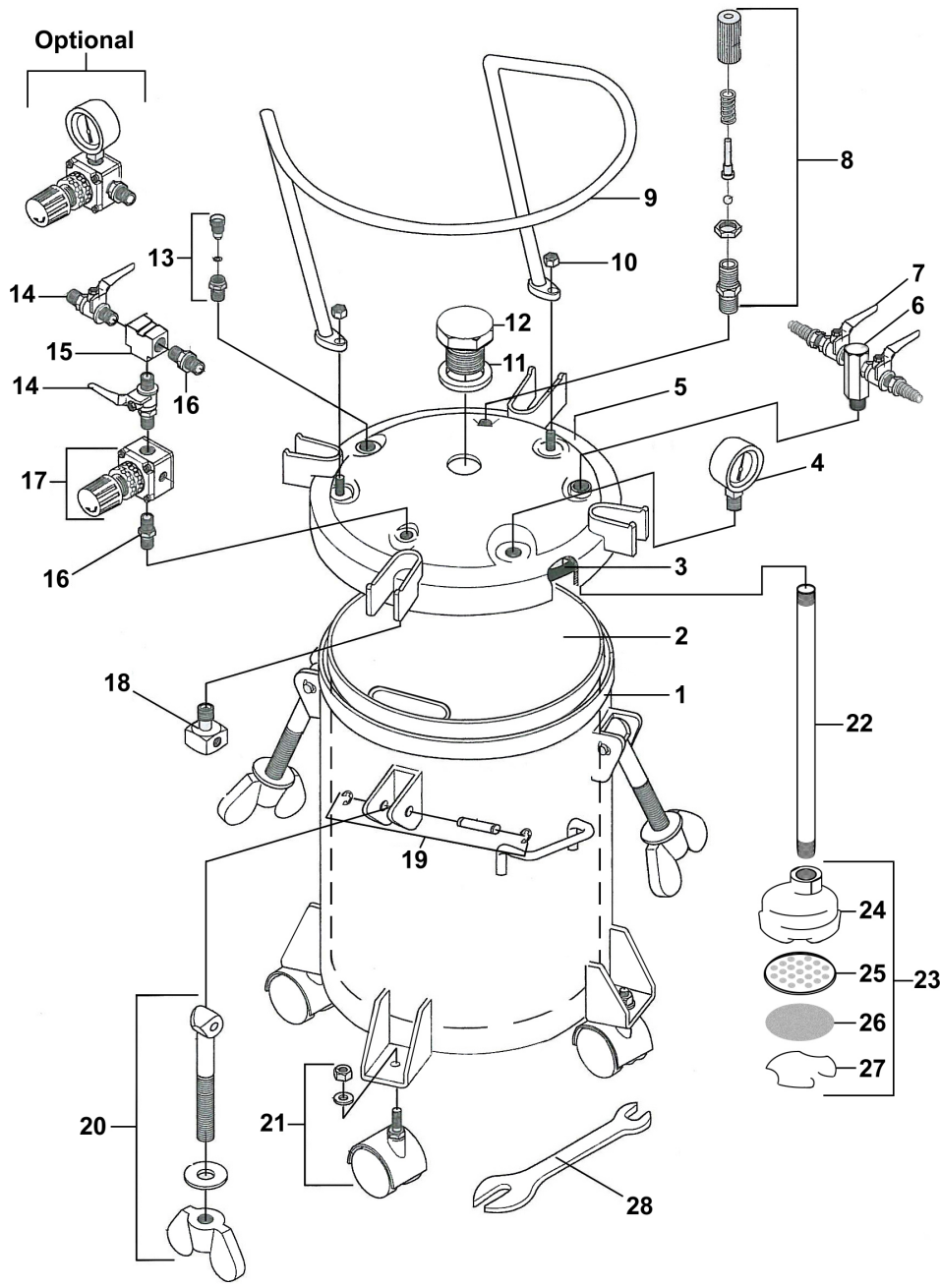
This pressure tank is equipped with either single or double air pressure regulation, material outlet shutoff valves for 2 guns, pressure safety relief valve, disposable plastic liner, tank vent valve and four caster wheels.

CAUTION!

1. Maximum tank pressure of 80 psi. The safety relief valve is designed to protect the tank against excessive pressures. **DO NOT** attempt to make adjustments to this valve. If this valve begins to vent air, reduce the setting on the air inlet regulator.
2. **DO NOT** alter the tank in any way by welding, drilling or machining as this may weaken the structure of the tank.
3. To prevent hazardous static sparks from occurring, always ground the tank by connecting a 12 ga. wire to the tank and to a known earth ground.
4. Halogenated solvents will react chemically with aluminum and may cause an explosion. Examples of halogenated solvents are 111 trichlorethane and methylene chloride. **DO NOT use the removable aluminum tank liner with any halogenated solvents.**
5. Be sure tank pressure is completely relieved before attempting to remove tank cover or material fill cap. Shut off the main air supply to the tank and vent pressure using the vent valve located on the tank lid.



Optional



ITEM NO.	PART NO.	DESCRIPTION	ITEM NO.	PART NO.	DESCRIPTION
1	51-526SS	Tank Shell	15	51-272	3-Way Union
2	51-543-10	Disposable Plastic Tank Liner (10pk)	16	51-239	Double Male Nipple
	51-527	Optional SS Tank Liner	17	52-6	Air Regulator (51-222 Opt. 2nd Reg)
3	51-520	Gasket (Available in 3 Pack)	18	51-237	Air Flow Diffuser
4	52-58	Pressure Gauge	19	51-233	Pin Assembly
5	51-528SS	Tank Lid Assembly	20	51-236	Eye Bolt Assembly
6	51-530SS	Material Outlet Manifold	21	51-224	Caster (4 Req'd)
7	52-151SS	Material Outlet Ball Valve		51-252	Optional Stationary Feet (4 Req'd)
8	51-229	Safety Relief Valve Assembly	22	51-523SS	Fluid Pickup Tube
9	51-535SS	Guard	23	51-532	Inlet Strainer Assembly
10	98-0115	Nut 3/8-16	24	51-548	Inlet Strainer Body
11	51-245	Seal Ring	25	51-549	Inlet Screen Backup Plate
12	51-533	Plug	26	51-542	Inlet Screen
13	51-234	Tank Vent Valve	27	51-519	Inlet Screen Retaining Clip
14	52-150	Air Shut Off Valves	28	51-225	Wrench

Pressure Tanks Available From C.A. Technologies



2.5 Gallon Pressure Tank
51-201 Single Regulated
51-202 Double Regulated



2.5 Gallon Pressure Tank
With Air Powered Agitation
51-203 Single Regulated
51-204 Double Regulated



5 Gallon Pressure Tank
With No Agitation
51-507 Single Regulated
51-508 Double Regulated



5 Gallon Pressure Tank
With Manual Agitation
51-501 Single Regulated
51-502 Double Regulated



5 Gallon Pressure Tank
With Air Powered Agitation
51-503 Single Regulated
51-504 Double Regulated



10 Gallon Pressure Tank
With No Agitation
51-551 Single Regulated
51-552 Double Regulated



10 Gallon Pressure Tank
With Manual Agitation
51-557 Single Regulated
51-558 Double Regulated



10 Gallon Pressure Tank
With Air Powered Agitation
51-553 Single Regulated
51-554 Double Regulated