

# Korber Models

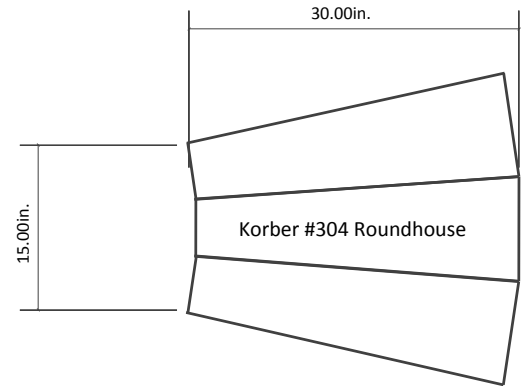
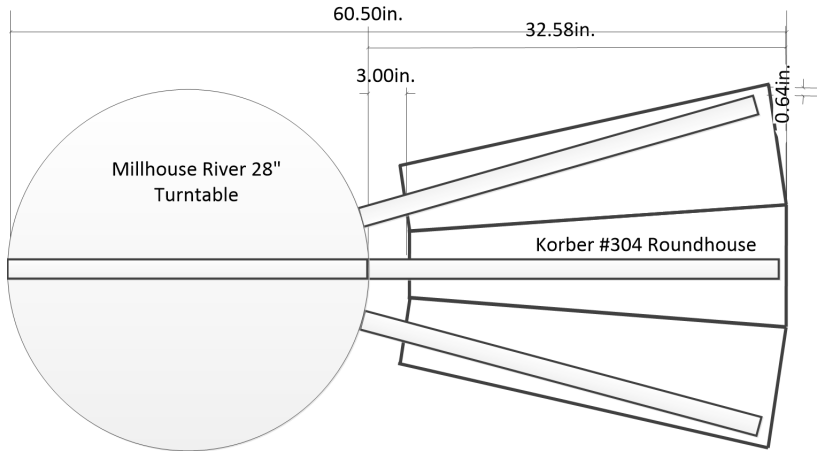
Scale Model Railroad Structures

165 East Main Street  
 Atlanta, IN 46031 USA  
 765-292-2044  
 Steve@korbermodels.com  
 www.korbermodels.com

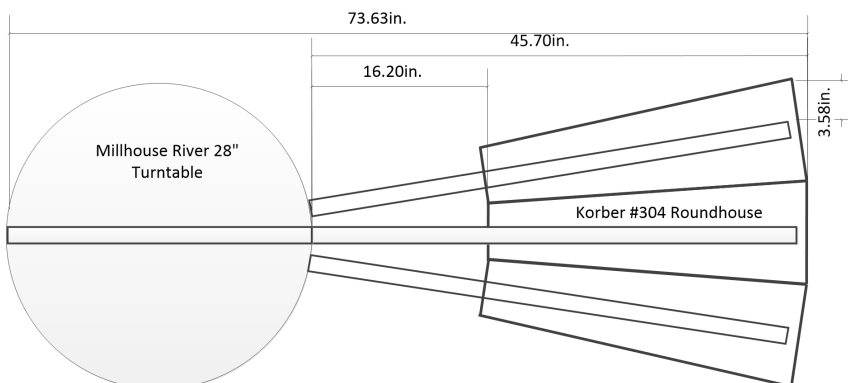
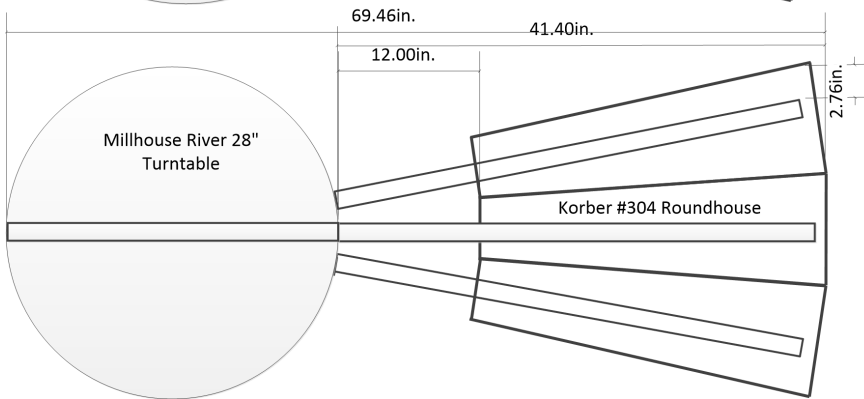
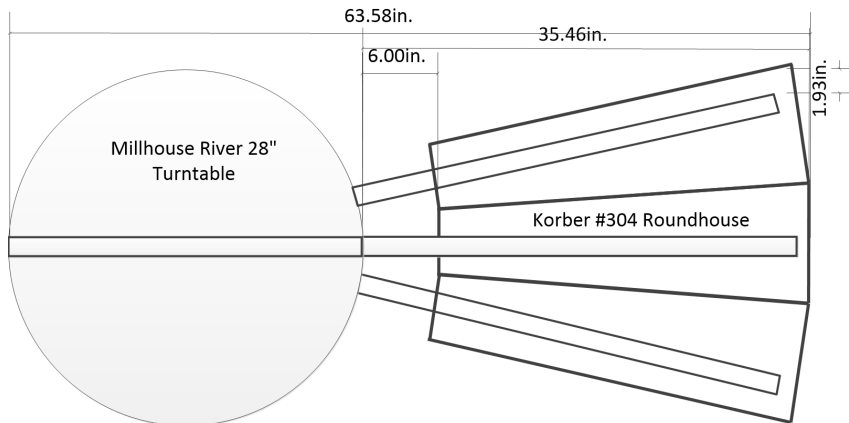


# Millhouse River Studio

2541 River Road  
 Niagara Falls, NY 14304 USA  
 716-830-5267  
 a.zamorski@studiozphoto.com  
 www.studiozphoto.com/models.html



## Space Planning Requirements for Korber #304 Roundhouse and a Millhouse 28" turntable



- All tracks should enter the roundhouse in the center of the stall doors
- In these drawings you can see how the track gets closer to the side walls as the distance between the turntable and the roundhouse is reduced
- A distance of approximately 16.2" allows for a straight track to be centered in the stall of the roundhouse
- When adding additional stalls turntable to roundhouse spacing of 16.2" allows for continuous expansion with the track centered in the stalls and 12" spacing can support up to 15 stalls with straight track.
- Use of flextrack will allow you to use shorter turntable to roundhouse distances and center the track in the stall. Simply enter the door at the center and bend the track to have clearance of side walls or supports. Flextrack use is common when expanding the number of stalls while using less than 16" turntable to roundhouse spacing