

# POD SERIES

## FREESTANDING FIRE TABLE



Freedom, flexibility and eco-friendly functionality – EcoSmart’s freestanding bioethanol fireplaces add warmth, style and ambiance to living and entertaining spaces. Cleverly refashioning the traditional fireplace concept into a piece of portable fire furniture means that you can now enjoy the simple pleasures of an open fire in more places than ever before.

**Relocate With Ease**

Bioethanol outdoor fireplaces relocate with ease, and this portability is greatly enhanced by the self contained engineering of the EcoSmart system. There is no need for a utility connection, which means you can transform the look and feel of your outdoor entertaining area when desired.

Or, leave your fireplace in a permanent position on the patio and design an enchanting outdoor space using the fireplace as the focal point. It has never been this easy to design a backyard or courtyard that feels so inviting.

**Optional Fire Screens**

Pair with a toughened glass fire screen, which stabilises the flame in windy conditions.

**Decorative Media**

Concrete models come with black glass charcoal.

**Colours**

Available in three natural concrete colours.



**Available in Two Sizes**

The POD Series is available in two sizes – 40 and 30 – and are striking either standalone or together.

**Environmentally-Friendly**

Bioethanol fireplaces use an environmentally-friendly, renewable energy source that burns clean and delivers warming heat. You and your guests will enjoy the ambiance and tranquility of a real fire, without the hassles of burning real wood - no more embers, ash, and soot to clean up.

**Ground Fixing Brackets**

Models come with fixing brackets for permanently locating into a fixed position.

**Versatile and Incredibly Durable**

EcoSmart portable fireplaces are versatile, incredibly durable, and are constructed of heavy-gauge glass and weather resistant materials. These appliances are designed to look great for years, and will perform admirably through all four seasons.



**OPTIONAL ACCESSORIES**



Fire Screens



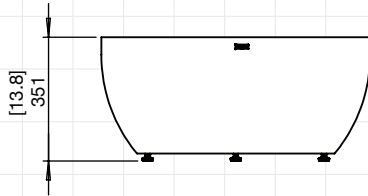
Protective Covers



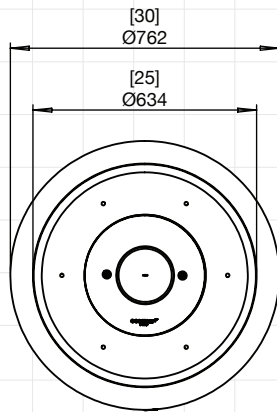
Tank Stool/Side Table

Disclaimer. All product specifications and data are subject to change without notice and believed to be correct at the time of publication. The Fire Company Pty Ltd (TFC), its affiliates, agents, and employees, and all persons acting on its or their behalf (collectively, "The Fire Company"), disclaim any and all liability for any errors, inaccuracies or incompleteness contained herein or in any other disclosure relating to any product. TFC disclaims any and all liability arising out of the use or application of any product described herein or of any information provided herein to the maximum extent permitted by law. The product specifications do not expand or otherwise modify TFC's terms and conditions of purchase, including but not limited to the warranty expressed therein, which apply to these products. No license, express or implied, by estoppel or otherwise, to any intellectual property rights is granted by this document or by any conduct of TFC. Customers using or selling TFC products not expressly indicated for use in such applications do so entirely at their own risk and agree to fully indemnify TFC for any damages arising or resulting from such use or sale. Please contact authorised personnel from TFC to obtain written terms and conditions regarding products designed for such applications. Images are indicative only.

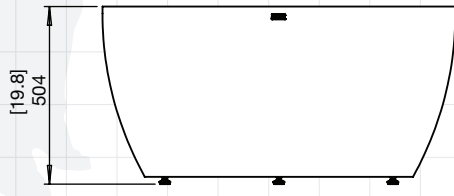
# POD SERIES



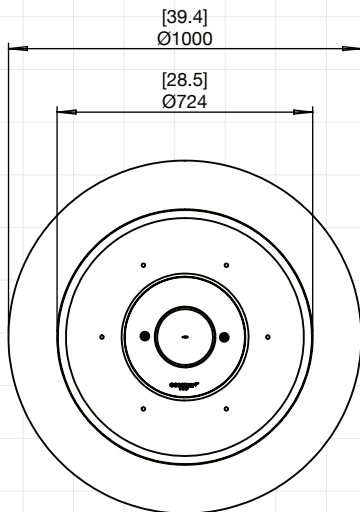
POD30  
FRONT VIEW



POD30  
TOP VIEW



POD40  
FRONT VIEW



POD40  
TOP VIEW



<b>Application</b>	Outdoor	
<b>Materials</b>	Fluid Concrete Technology, Grade 304 Stainless Steel, Included Black Glass Charcoal	
<b>Weight</b>	42.9kg [94.5lbs] & 53.9kg [118.7lbs] Weight includes burner and black glass charcoal.	
<b>Model SKU's</b>	POD30 = ESF.1.O. <b>PD3</b> POD40 = ESF.1.O. <b>PD4</b>	
<b>Colours &amp; SKU's</b>	<div style="display: flex; align-items: center;"> <div style="width: 15px; height: 15px; background-color: #333; margin-right: 5px;"></div> <span>Natural</span> <span style="margin-left: 20px;">ESF.1.O.<i>(model)</i>.NA</span> </div> <div style="display: flex; align-items: center;"> <div style="width: 15px; height: 15px; background-color: #ccc; margin-right: 5px;"></div> <span>Bone</span> <span style="margin-left: 20px;">ESF.1.O.<i>(model)</i>.BO</span> </div> <div style="display: flex; align-items: center;"> <div style="width: 15px; height: 15px; background-color: #000; margin-right: 5px;"></div> <span>Graphite</span> <span style="margin-left: 20px;">ESF.1.O.<i>(model)</i>.GH</span> </div>	
<b>Optional Accessories</b>	Fire Screen, Protective Cover, Tank Stool/Side Table	

## BURNER INFORMATION\*

<b>Burner</b>	AB8	AB8 (EN)
<b>Heats on Average (when used indoors)</b>	Over 60m <sup>2</sup> [645ft <sup>2</sup> ]	Over 30m <sup>2</sup> [322.9ft <sup>2</sup> ]
<b>Burn Time (approx)</b>	7 - 11 hrs	9 - 11 hrs
<b>Fuel Type</b>	e-NRG Bioethanol	
<b>Fuel Capacity</b>	8 Litres [2.1 Gallons]	
<b>Minimum Room Size</b>	116 cubic metres [4096 cubic feet] per fireplace.	

\*These values are indicative only and may vary depending on the model purchased, installation, and the seasonal resource used to manufacture e-NRG.

## Global Compliance

All burners are UL Listed in accordance with MH46715/Subject 1370 in the USA and comply with the ACCC Safety Mandate for Australia.

This model comes with fixing brackets for permanently locating into a fixed position.

**FOR MORE INFORMATION PLEASE REFERENCE THE CLEARANCE & INSTALLATION MANUAL**

Disclaimer: All product specifications and data are subject to change without notice and believed to be correct at the time of publication. The Fire Company Pty Ltd (TFC), its affiliates, agents, and employees, and all persons acting on its or their behalf (collectively, "The Fire Company"), disclaim any and all liability for any errors, inaccuracies or incompleteness contained herein or in any other disclosure relating to any product. TFC disclaims any and all liability arising out of the use or application of any product described herein or of any information provided herein to the maximum extent permitted by law. The product specifications do not expand or otherwise modify TFC's terms and conditions of purchase, including but not limited to the warranty expressed therein, which apply to these products. No license, express or implied, by estoppel or otherwise, to any intellectual property rights is granted by this document or by any conduct of TFC. Customers using or selling TFC products not expressly indicated for use in such applications do so entirely at their own risk and agree to fully indemnify TFC for any damages arising or resulting from such use or sale. Please contact authorised personnel from TFC to obtain written terms and conditions regarding products designed for such applications. Images are indicative only.