

BLOC L1 L2 L3

TABLES



^ Low Tables
BLOC L1 (*left*)
BLOC L3 (*middle*)
BLOC L2 (*right*)

BLOC L3

TABLES



Natural

AVAILABLE IN THREE DIFFERENT SIZES, THESE RECTANGULAR SHAPED CONCRETE TABLES SIT ON DISCRETE LEVELLING FEET. AT TWICE THE STRENGTH AND HALF THE WEIGHT OF TRADITIONAL CONCRETE, THEY ARE BUILT FOR HIGH PERFORMANCE IN ALL WEATHER CONDITIONS.

BLOC L3
BLD.1.T.BLC.L3

Dimensions

L 1700mm [67"]
W 500mm [19.7"]
H 370mm [14.5"]

Weight

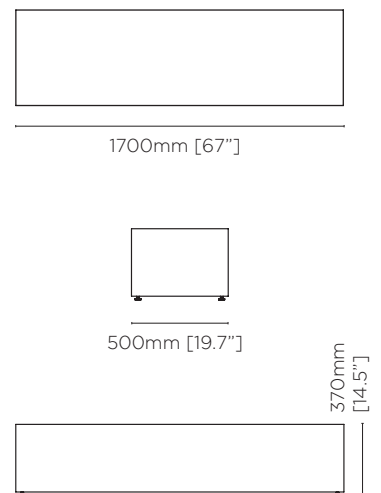
66kg / 145.2lbs

Material

Fluid™ Concrete Technology

Colours

Graphite, Natural, Bone



BLOC L2

BLOC L1

TABLES



Graphite



Bone

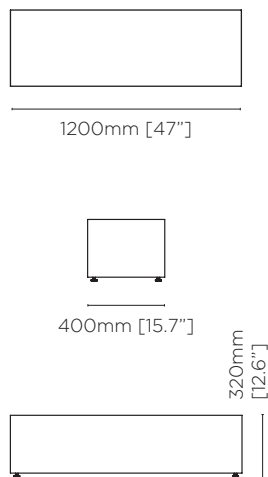
BLOC L2 BLD.1.T.BLC.L2

Dimensions
L 1200mm [47"]
W 400mm [15.7"]
H 320mm [12.6"]

Weight
33kg / 72.6lbs

Material
Fluid™ Concrete Technology

Colours
Graphite, Natural, Bone



BLOC L1 BLD.1.T.BLC.L1

Dimensions
L 1000mm [39.4"]
W 400mm [15.7"]
H 270mm [10.7"]

Weight
25.5kg / 56.1lbs

Material
Fluid™ Concrete Technology

Colours
Graphite, Natural, Bone

