



SMART COLOR DISPLAY UPGRADE

INSTALLATION GUIDE

© 2024 Juiced Bikes. All Rights Reserved R20240315-005

OVERVIEW

The Smart Color Display upgrade kit is a plug and play solution to enhance your Juiced E-bike. Navigate with ease using intuitive controls and enjoy real-time updates on speed, distance, battery life, and more. Plus, with customizable features, you can tailor your display to suit your preferences and style. The installation process involves removing the original LCD display and replacing it with the upgraded Color LCD. This kit contains all the parts and guidance needed to complete the installation.



WARNINGS

- Always do a thorough test drive whenever replacing an electronic component.
- Confirm that all brake, speed, light and similar functionality performs correctly.
- This kit includes small hardware.
- Be careful not to damage the cables and connectors during the installation process.
- Type 1 and Type 2 connectors are not compatible with each other. Use the included adaptor if needed.

COMPATIBILITY






This kit **IS ONLY** compatible with the following Juiced Bikes Models:

- All Juiced Bikes 52 Volt E-bikes.
- 52 Volt battery packs.
- Type 1 connector (use included adaptor).
- Type 2 connector (direct connect).

This kit **IS NOT** compatible with the following Juiced Bikes models:

- 48 Volt battery packs.
- Legacy models.

KIT CONTENTS

| # | Image | Item | Specification | Qt. |
|---|---|-----------|--------------------------------|-----|
| 1 |  | Color LCD | Color LCD Display | 1 |
| 2 |  | Adapter | T1 - T2 Connector adapter | 1 |
| 3 |  | Hex Tool | 1.5mm Hex Tool | 1 |
| 4 |  | Hex Tool | 2.5mm Hex Tool | 1 |
| 5 |  | Manual | Color LCD Postcard Instruction | 1 |

INSTALLATION STEPS

Notes before getting started:

- Read this guide thoroughly to understand the installation process.
- If you have any questions, please visit: <http://support.juicedbikes.com>.
- Turn your e-bike OFF and remove the battery pack before starting the installation process.
- After removing the battery, press and hold the LCD power button for 5 seconds – this will clear out any remaining charge in the system.
- Be sure the bike is supported so it doesn't tip over during the installation process.

NOTICE

Important information after installing the Smart Color Display:

- All models will now use the power button to start, including key started ones. For key models, turn the key to ON first.
- Remote start functionality will be deactivated on models that currently have it.
- In relation to **Keyed Ignition** bikes, namely Hyper Models and Jet Current. It is important for customers to recognize that **despite powering OFF the display, these bikes remain operational, until the ignition is turned to OFF.**

Disconnecting the Original Display

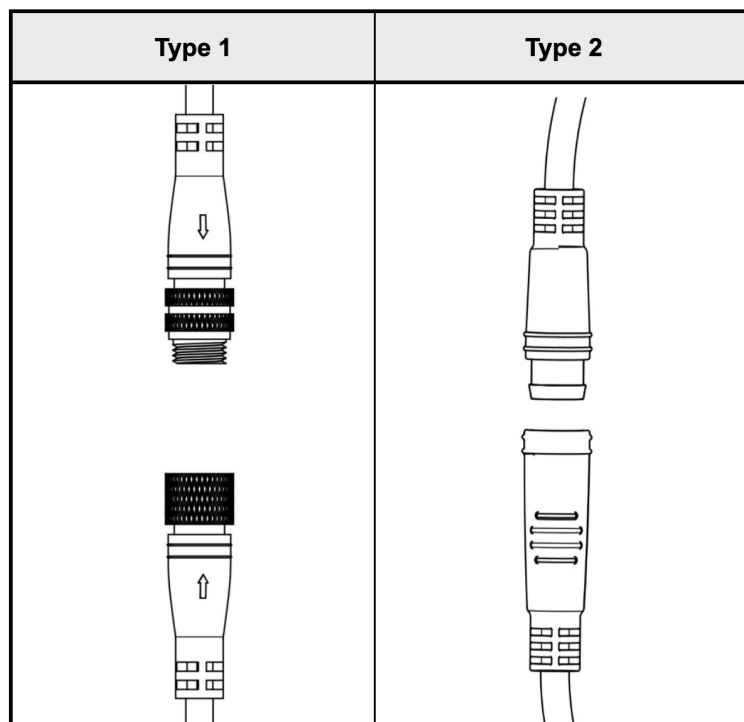
- Carefully review the following steps on removing the original display from your e-bike. You will follow these steps in reverse order to install the new display.
- Begin at the front of the bike. Locate the cable connection behind the installed LCD display.
- Follow the cable coming from the LCD Display until you reach its main connection.
- You can take a picture of how the cable bundles are grouped as a helpful guide for when you put it back together.
- Use scissors to carefully cut the zip ties holding the cables in place.
- To disconnect the cable connection, follow the instructions below to identify which type of connector you have and its required steps.

Type 1 vs. Type 2 Connectors

Juiced Bikes uses two different styles of wire connector systems for the handlebar parts such as the Main Wire harness, Throttle, Display and Brake Sensors. We identify the two different connector styles as “Type 1” and “Type 2”. The two connector types are NOT compatible with each other. If you are ordering a replacement part, make sure to order the part with the connector type that is compatible with your bike.

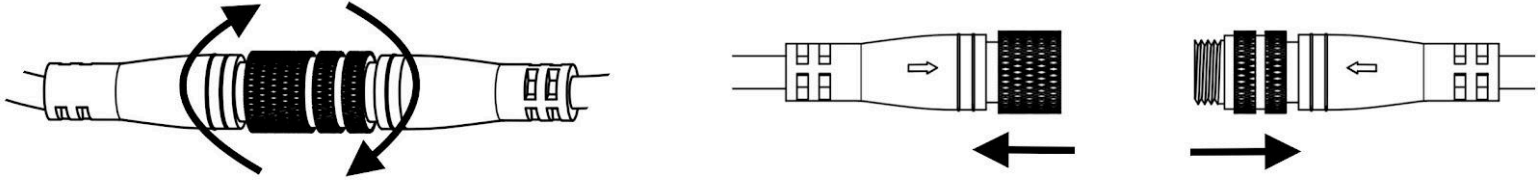
Important Notes

- Type 1 and Type 2 connectors are not compatible with each other.
- A specific e-bike model may use Type 1 OR Type 2 connectors.
- The connectors will not be mixed on one e-bike.
- Type 1 connectors appear on models before 2023 and on our X2 line.
- Type 2 connectors appear on 2022 models and later.



How to disconnect the connectors

- For a Type 1 connector - Hold the screw covers on each side of the connector and twist them apart as shown with the arrows in the figure below. Once they are unscrewed grab both ends and pull them apart by the connector not the cables.

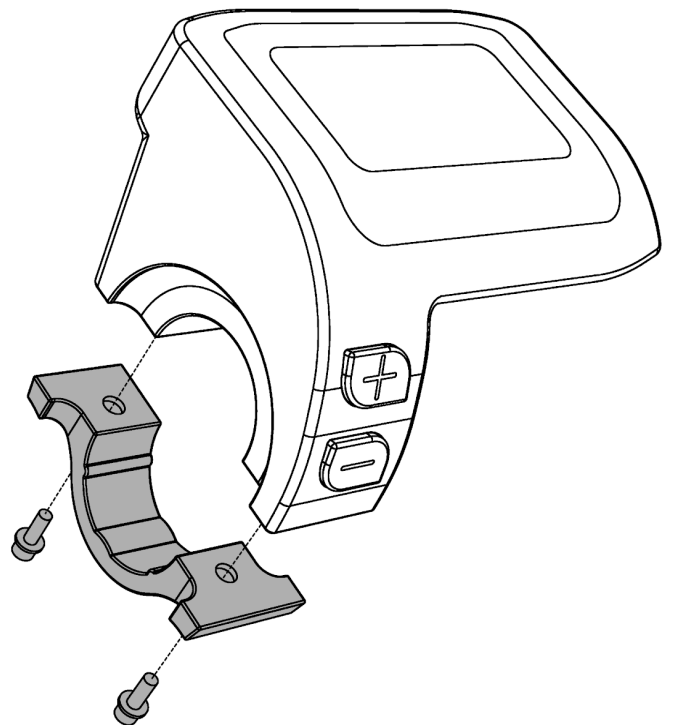


- For a Type 2 connector - Hold firmly on both sides of the connection and pull apart slowly. You will feel the connection pop once it loosens its connection. Remember to grip and pull them apart by the connectors and not the cables.



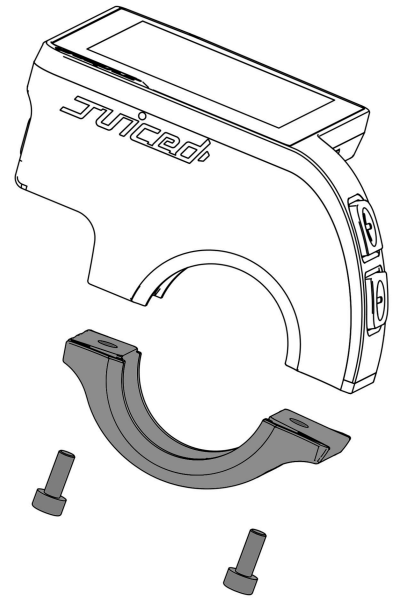
Removing the Original Display

- Use a 1.5 mm hex key to carefully loosen the 2 bolts used to clamp the bracket holding the Display to the handlebar. The recommended torque specification is 0.5 Nm.
- Be mindful of the small hardware. You can store the Display in a sealed bag and keep it in a dry location.



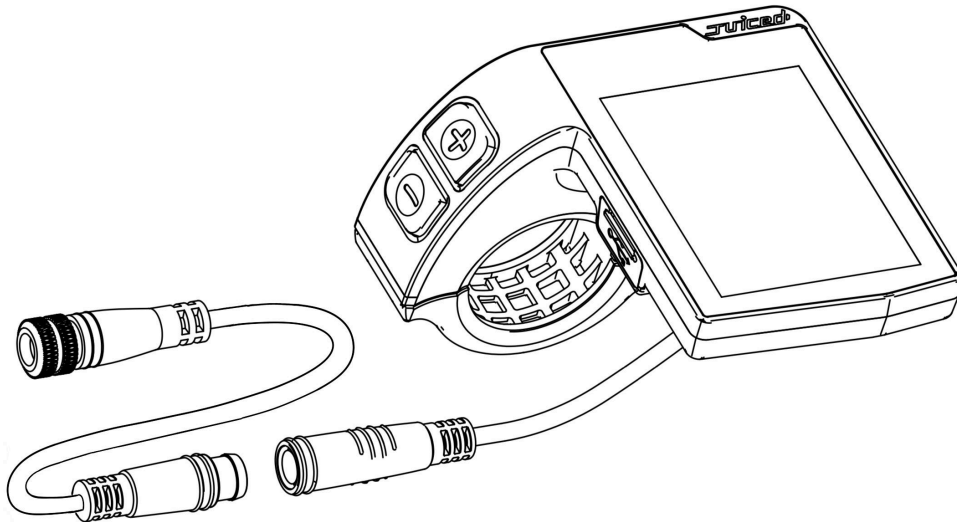
Installing the Smart Color Display

- To install your Display, follow the previous steps in reverse order. Use the images as guides.
- Remove the new Display from the packaging.
- Position the Display in the desired location along the handlebar. The Display can be mounted on the left or right side.
- Install the Display being careful not to crush any wiring or connectors.
- Use a 2.5 mm hex key to carefully tighten the 2 bolts used to clamp the bracket holding the Display to the handlebar. The recommended torque specification is 0.5 Nm.

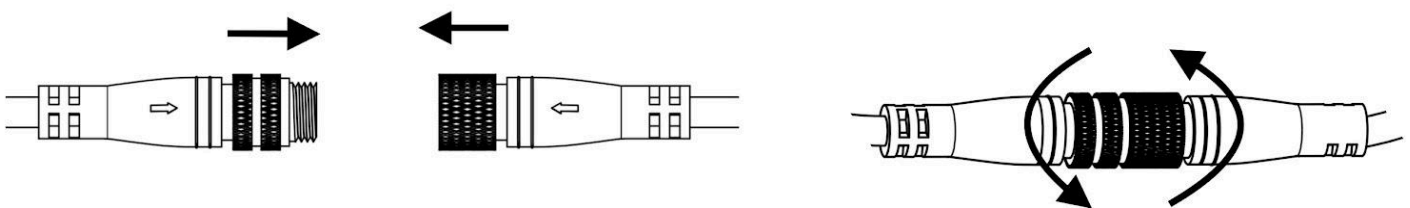


How to connect the Connectors

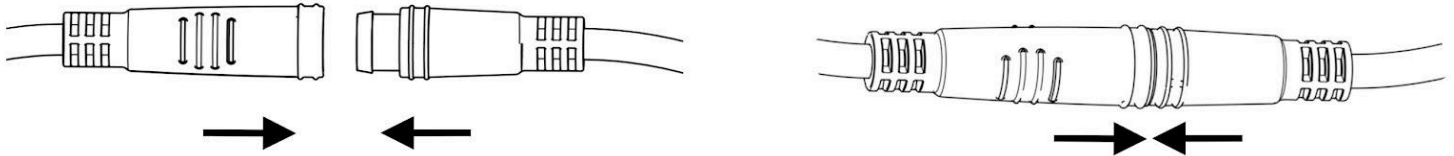
- Before making the connection, be sure the cable is routed following the bundle that comes from the handlebar.



- Match the connectors with their **identical** counterparts – **use the included adapter if needed.**
- Line up both ends of the connection and proceed according to the following instructions for each one.
- For the Type 1 connectors - Verify the connector's orientation. Line up the arrows and push together. Once mated, screw together both covers until snug. Finalize by pushing them together from the connectors ends.



- For the Type 2 connectors - Verify the connector's orientation. Line up the arrows or the tabs inside the connector. Slowly make the connection and then push together until snug.



- Be sure the connectors are mated flush with each other.
- Arrange the wiring harness and its bundle by adjusting the slack on the cabling. Secure everything to avoid loops or loose cables that could get caught or tangled on nearby components.
- Install and secure the zip ties and maintain a snug fit (just tight enough to avoid movement, not overly tight).

Completing the Installation

- Inspect your e-bike to verify all connectors and items that were removed are secured in place, and that there are no cables or wiring loops close to the wheels or moving parts that could get caught.
- Install the battery pack and turn on the bike to verify the LCD shows no errors.
- Turn on and test the lights.
- Before doing a test ride, do a pre-trip inspection.
- Test ride your e-bike verifying the brake system works as well as the motor inhibitors. Then, gradually test the assist levels one by one.
- If you have a Performance Upgrade Controller, be sure to follow the Race mode unlock procedure to make it available on your LCD.

WARNINGS

- Verify all screws and bolts are securely fastened before using your e-bike.
- Check the cabling is installed correctly (and does not interfere with the wheel's rotation) and nothing obstructs or touches the wheels.
- Do not modify or repair any item on your bike, especially any cable, connector, or battery dock.
- Discontinue using the e-bike if a crash or heavy impact has damaged a cable or component.



- Visit our website for detailed assembly videos and digital user manuals:

www.JuicedBikes.com/pages/bike-setup

- You can also scan the QR code to the left to watch the videos directly on your smartphone.



If you have any questions, please contact us:

Support@JuicedBikes.com or Tel: **1-888-303-8889** (8-5pm Pacific Standard Time)