



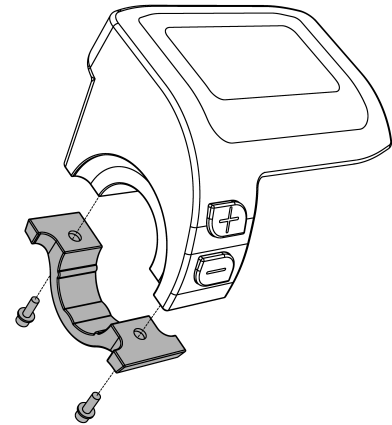
ADVANCED MATRIX DISPLAY - W780 LCD DISPLAY

INSTALLATION GUIDE




© 2020 Juiced Bikes All Rights Reserved R20200825

INTRODUCTION

This instruction guide will cover the installation process for the Advanced Matrix Display - W780 LCD Display.



CONTENTS

#	Image	Item	Specification	Qt.
1		MOUNTING BRACKET	W780 LCD Display Bracket	1
2		HEX BOLT	Hex Screw M2 x 6 mm With Captive Washer 0.5 Nm	2
3		HEX KEY	1.5 mm L- Wrench Hex Key	1

INSTALLATION STEPS

1. Position the LCD display in the desired location along the handle bar.
2. Use the included 1.5 mm hex key to carefully tighten the 2 bolts used to retain the bracket holding the LCD display to the handle bar. The recommended torque specification is 0.5 Nm.
3. Before turning on the bike, check to be sure the LCD display is fully connected to the e-bike's wire harness.



ADVANCED MATRIX DISPLAY - W780 LCD DISPLAY

INITIAL SETUP GUIDE

© 2020 Juiced Bikes All Rights Reserved R20200825

INTRODUCTION

If you purchased the LCD display separately, you will need manually to set the wheel circumference. The circumference is the distance the wheel travels in one rotation.

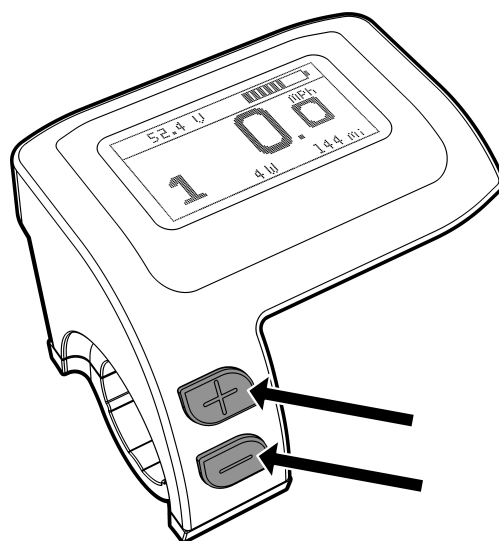
The correct circumference value is required to insure that the vehicle's speed and trip distance is accurately displayed on the screen.

SETTING THE WHEEL CIRCUMFERENCE

Use the following steps to program the e-bike's wheel circumference directly from the LCD display.

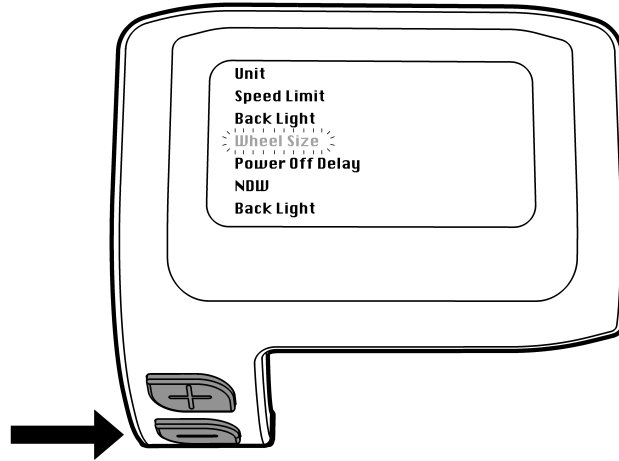
Enter into the set up menu

Turn the bike on. Press and hold the Assist Up "+" and Assist down "-" buttons together for 3 seconds, then release. You will now enter the Settings Menu.

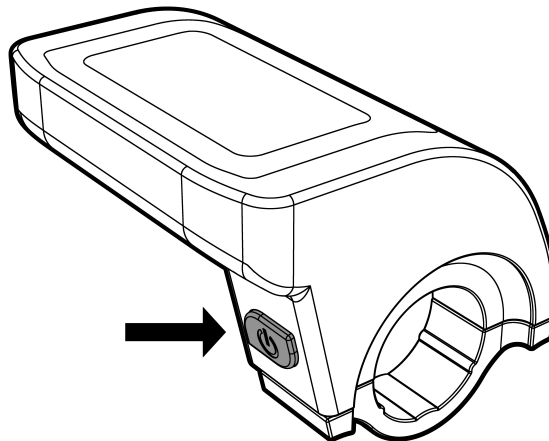


Select the "Wheel Size" setting

Use the Assist Down button to select the "Wheel Size" Setting. The text will flash to indicate which menu item is selected.

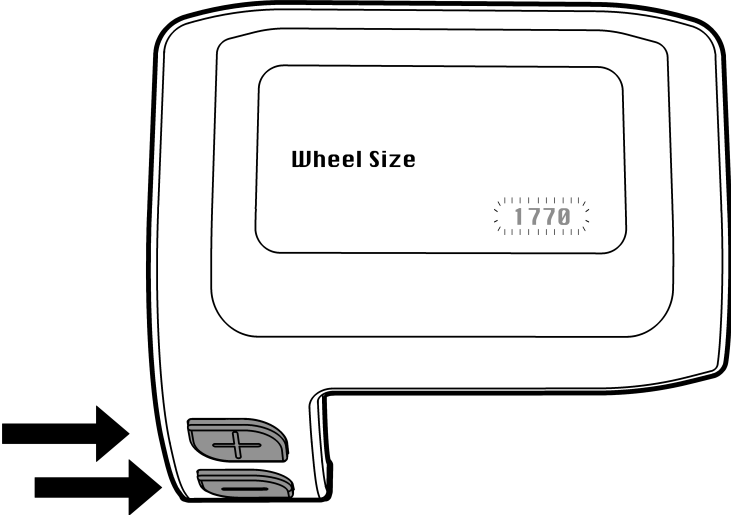


Push the Power Button to enter the next screen where you can adjust the wheel size value.



Enter the value corresponding to your e-bike model

Use the Assist Up (+) or Assist Down (-) buttons to adjust the wheel circumference setting.

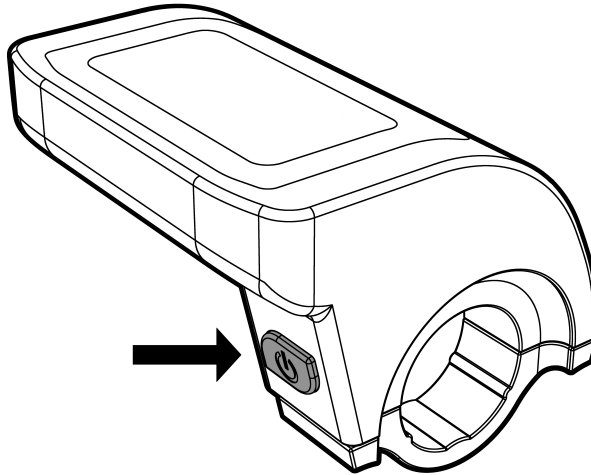


Use the chart below to determine which value to program into the wheel size setting.

E-Bike Model	Wheel Size Circumference in Millimeter (mm)
HyperScorpion (RetroBlade Mags) Scorpion (Standard Mags) Scrambler (Standard Mags)	1770
Scrambler (Standard Spokes)	1830
CrossCurrent S / S2 / X	2230
RipCurrent S / B	2270

Exit the set up menu

To save your wheel size setting and exit the Setup Menu, push the power button 6 times to return to the Main Display Screen. The updated wheel size is now set.



The vehicle's speed should now display accurately on the LCD screen