



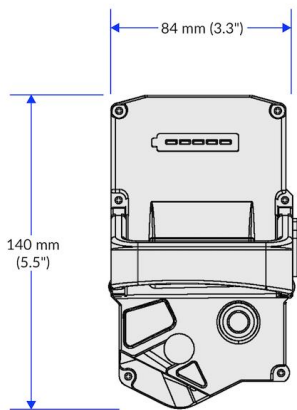
Key Features Overview

- Compatible with the PowerShift Docking System
- Integrated Apple AirTag tracker compartment
- Built in Battery LED level meter with charge status
- Carry handle for easier transporting
- IP65 water resistance
- Lockable power button to prevent unwanted tampering
- Fully concealed dual fuse compartment
- Programmable Battery Management System (BMS)
- Modular design for easy serviceability
- Backwards compatible with every 52V Juiced E-bike
- Exclusive battery design and technology engineered by Juiced Bikes
(PowerShift Docking System available Q4/2022)

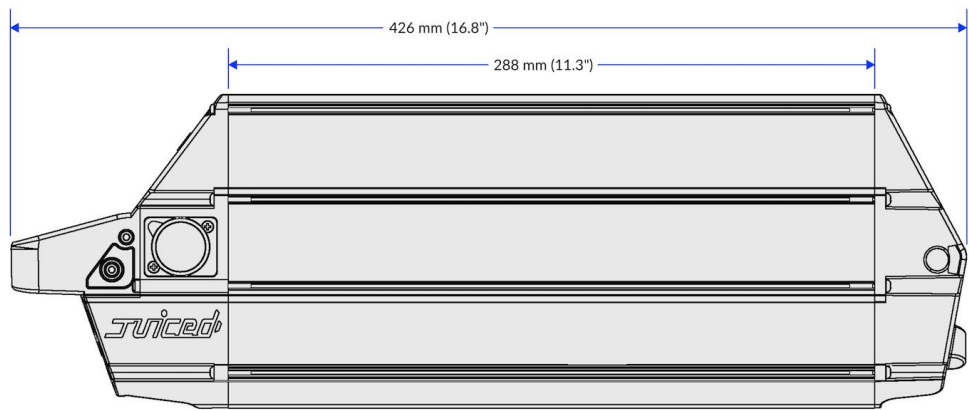
Nominal Voltage	51.4 V
Max. Charge Voltage	58.8 V
Pack Nominal Capacity (Ah)	19.2 Ah
Pack Nominal Capacity (Wh)	995 Wh
Cell Configuration	14S6P
Standard Charge Current	4 A
Max. Charge Current	8 A
Standard Discharge Current	35 A
Max Discharge Current	40 A
Discharge Cutoff Voltage	35 V
Operating Voltage Range	42.0 V~58.8 V
Charging Temp. Range	0~50°C
Discharging Temp. Range	-20~50°C
Initial Internal Impedance	≤120 mΩ
Waterproof Level	IP65
Normal Mode Power Consumption	10 mA
Sleep Mode Power Consumption	7 mA
Shutdown Mode Power Consumption	50 uA
Tracking	Apple AirTag Item Tracker Compartment (AirTag sold separately)
Warranty	1 Year Limited Warranty

BMS Protection	<ul style="list-style-type: none"> Overcharging Protection Over Discharging Protection Charge over current protection Short circuit protection current Charging high temperature protection Charging low temperature protection Discharging high temperature protection Discharging low temperature protection
Fuse Protection	Dual Fuse Design
Power On Procedure	Press and Release Power Button
Power Off Procedure	Long. Press Power Button >3s
Check Charge Status	Short Press Power Button
Transportation Safety Testing	<p>Certified for UN 38.3 for Lithium Cells and Batteries</p> <p>UN 38.3 Testing Requirements:</p> <ul style="list-style-type: none"> T1 - Altitude Simulation T2 - Thermal Test T3 - Vibration T4 - Shock T5 - External Short Circuit T6 - Impact T7 - Overcharge T8 - Forced Discharge
Charging Modes	<ul style="list-style-type: none"> Stand-Alone Charging On-Bike charging Dock Charging Swap Station Charging
Weight	5.49 kg (12.1 lbs)

Battery Dimensions

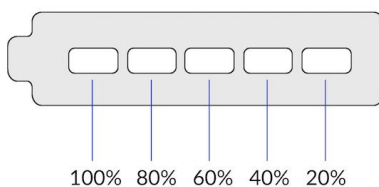


Front

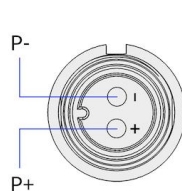


Left Side

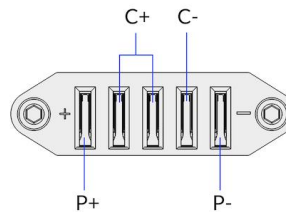
Battery Status Display



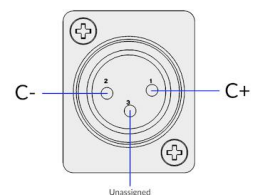
Battery Port Assignments



Primary Connector Port



Secondary Connector Port

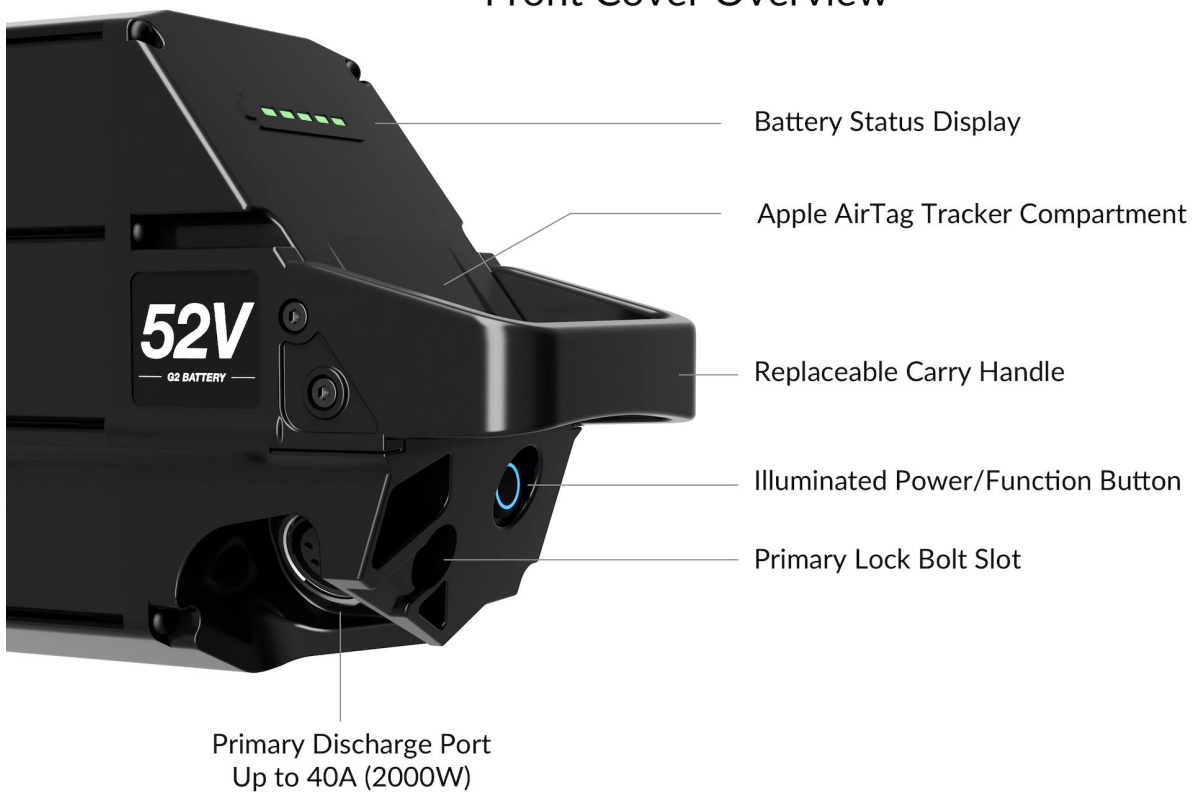


Charge Port

Modular design for easy serviceability



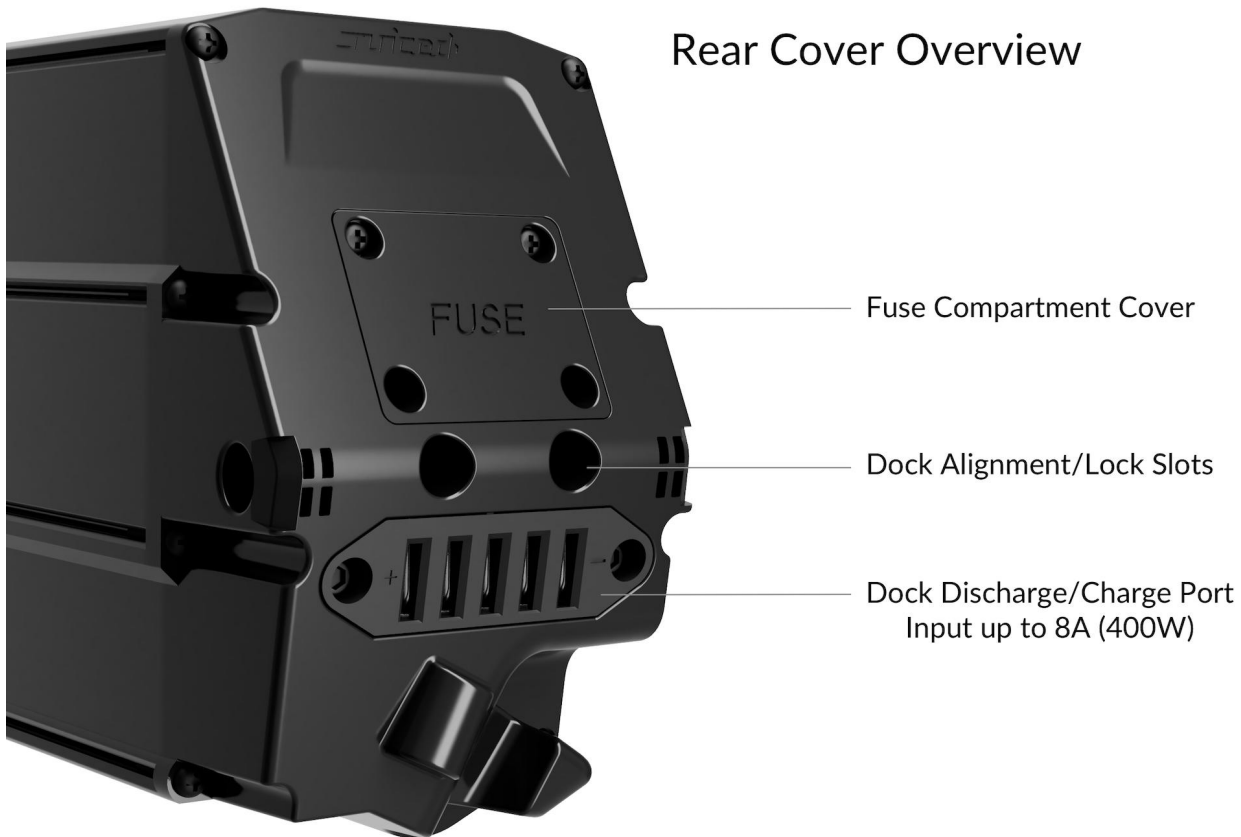
Front Cover Overview



Integrated AirTag Tracker Compartment

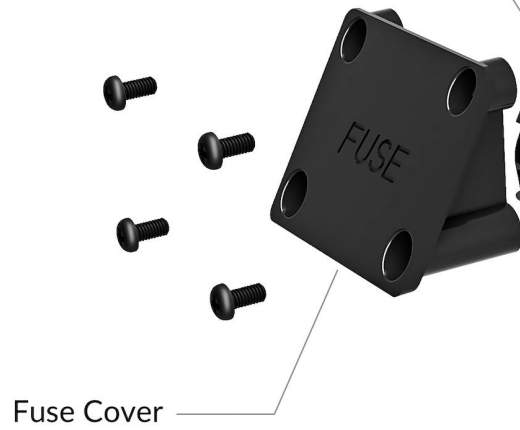


Rear Cover Overview



Fuse Compartment Overview

Dual Replaceable Fuses



Fuse Cover

Charge Port Overview

High Power Charge Port
Up to 8A (400W)

