

ASSEMBLY INSTRUCTIONS

Lorelei X-Large Chandelier

Item # JN 5254

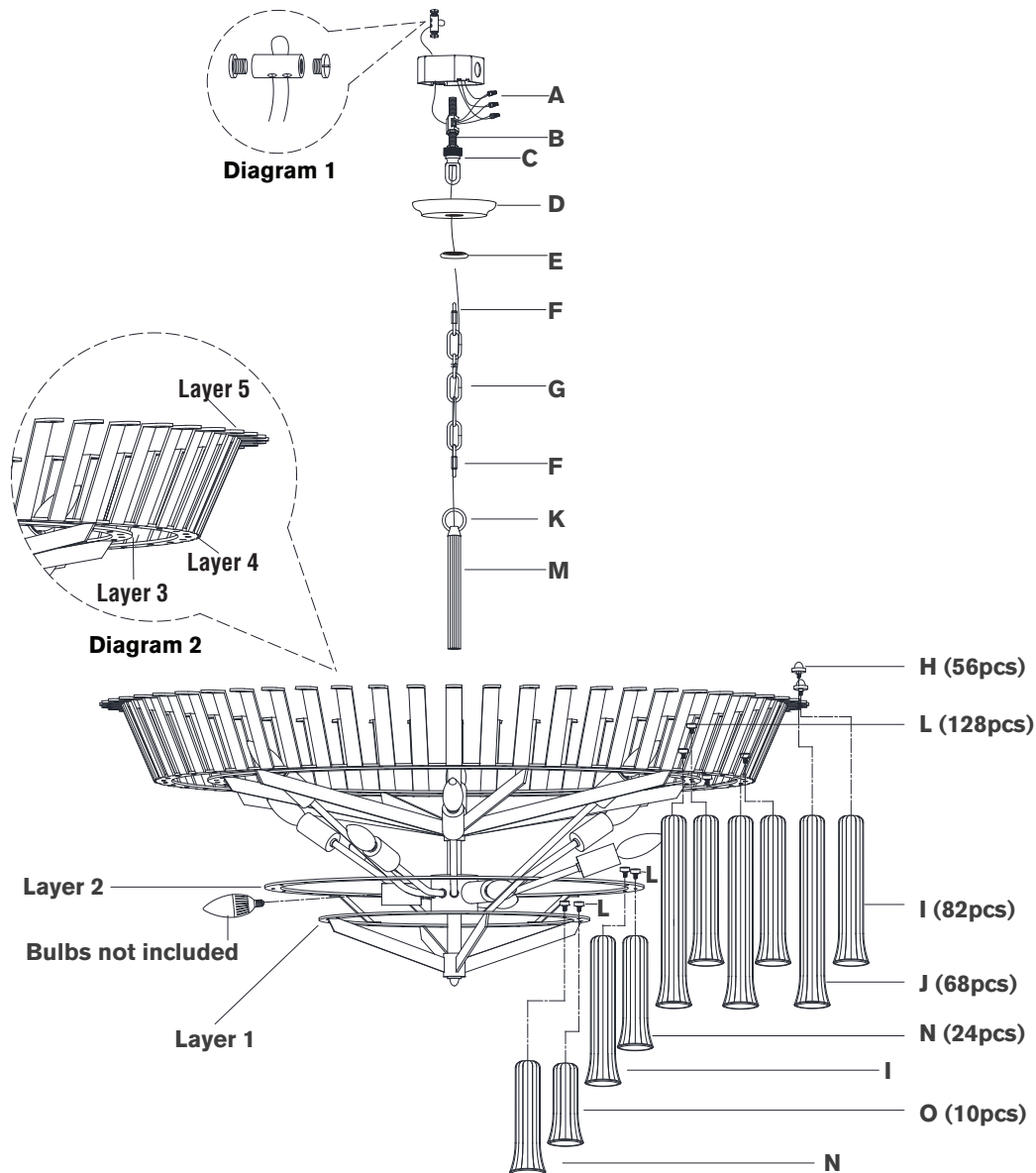
NOTICE:

This light fixture should be installed in accordance with all applicable, local installation codes, and by a person familiar with the construction and operation of it, as well as the hazards involved. Inspect item and contents carefully. If any damage or defect is found, do not install. Retain all packaging material until installation is complete and approved.

TOOLS REQUIRED (NOT INCLUDED):

Phillips Screwdriver	Slotted Screwdriver	Wire Strippers
Slip Joint Pliers	Chain pliers	Measuring Tape
Wire Cutters		

- Carefully remove all parts from the box. Place on a clean, soft surface.
- It is recommended to install a 1/4 IPS (1/2" dia) threaded pipe, secured to a structural member of the building (not included). Then install threaded receiver **(B)** on top of fixture to threaded pipe and tighten with wrench.
NOTE: Item must be supported independent of the junction box due to hanging weight.
- Remove collar loop **(C)** from chain **(G)** and secure to threaded receiver attached to structural member by tightening locknut.
- Install canopy **(D)** to collar loop **(C)** and secure with collar ring **(E)**.
- Determine desired overall length, and amount of chain **(G)** needed. Shorten chain using chain pliers. (Keep extra chain)
- Thread rod **(M)** to fixture body.
- Attach chain **(G)** to collar loop **(C)** and to fixture loop **(K)** using quick links **(F)**. Secure quick links **(F)**.
- Thread fixture wire and ground wire through chain **(G)**.
NOTE: When you reach the collar loop **(C)**, ensure there is no tension on the wires. Cut excess wires, being sure to leave about **12"** to reach the junction box.
- Separate two sides of molded wire, and strip insulation on each 5/8".
- Loosen collar ring **(E)** and let canopy **(D)** slip down chain **(G)** carefully.



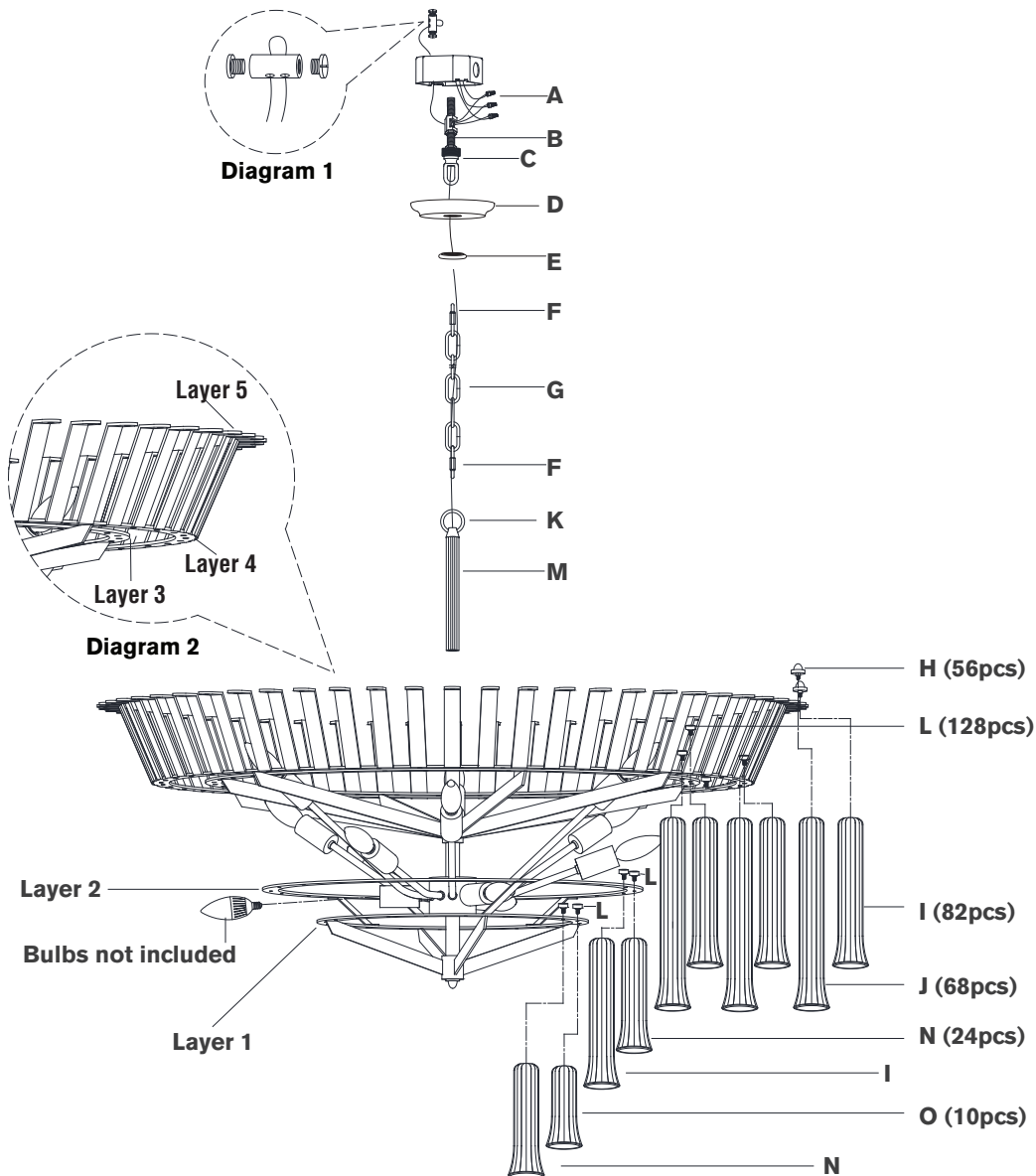
ASSEMBLY INSTRUCTIONS

Lorelei X-Large Chandelier

Item # JN 5254

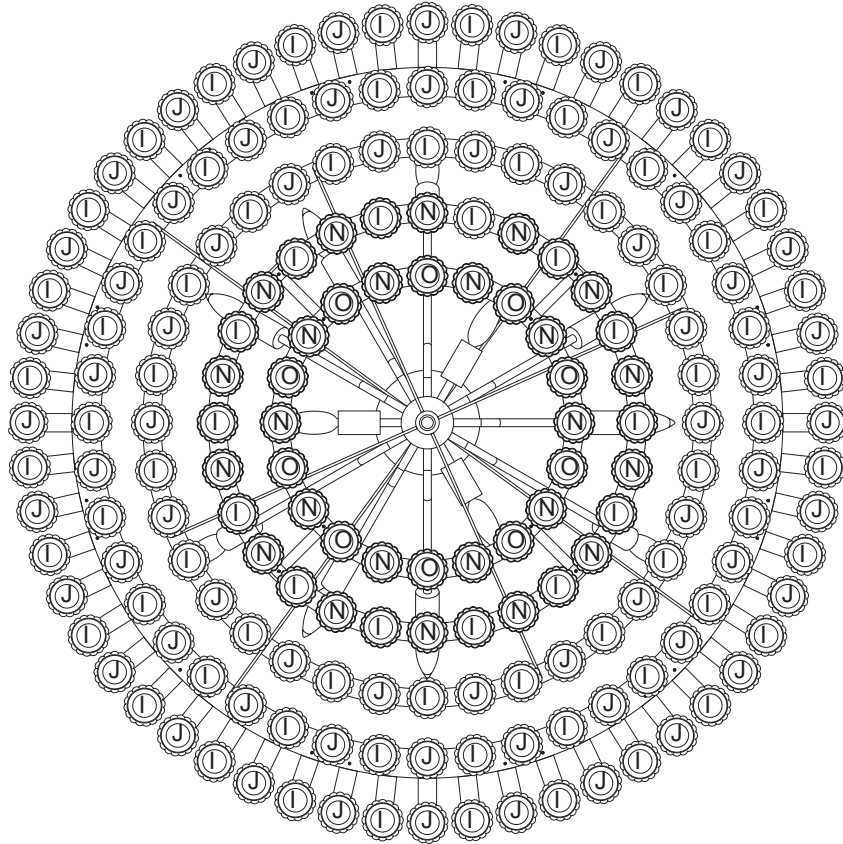
NOTICE:

This light fixture should be installed in accordance with all applicable, local installation codes, and by a person familiar with the construction and operation of it, as well as the hazards involved. Inspect item and contents carefully. If any damage or defect is found, do not install. Retain all packaging material until installation is complete and approved.



11. Twist all fixture wires together. Slip through center hole of collar loop (**D**).
 - NOTE:** Untwist wires and separate to prepare for connection.
12. Loosen cable lock and install to end of safety cable. Run safety cable through junction box and around structural member of building. Insert cable through cable lock and tighten the ends with a screwdriver to secure. (See diagram 1)
13. Connect fixture ground wire (bare copper) to supply ground wire (usually green or bare copper) using wire nut (**A**).
 - NOTE:** It is imperative that the fixture is grounded.
14. Connect fixture neutral wire (ribbed) to the supply neutral wire (usually white) using wire nut (**A**).
15. Connect fixture hot wire (smooth with markings) to the supply hot wire (usually black) using wire nut (**A**).
 - CAUTION:** Do not reverse the hot and neutral connections.
16. Make sure all wire connections are tight, then carefully tuck into the junction box.
17. Install canopy (**E**) to collar loop (**D**) and secure with collar ring (**F**).
18. Install light bulbs into the sockets.
19. Install glass shades (**N & O**) to layer 1, alternating between each as shown on glass diagram. Secure shades using threaded caps (**L**).
20. Install glass shades (**N & I**) to layer 2, alternating between each as shown on glass diagram. . Secure shades using threaded caps (**L**).

ASSEMBLY INSTRUCTIONS



Lorelei X-Large Chandelier

Item # JN 5254

NOTICE:

This light fixture should be installed in accordance with all applicable, local installation codes, and by a person familiar with the construction and operation of it, as well as the hazards involved. Inspect item and contents carefully. If any damage or defect is found, do not install. Retain all packaging material until installation is complete and approved.

21. Install glass shades (**J & I**) to layers 3, 4 & 5, alternating between each as shown on glass diagram. Secure shades using threaded caps (**L & H**).

Care Instructions: Clean only with a soft dry cloth or feather duster. Do not use abrasive or chemical agents.