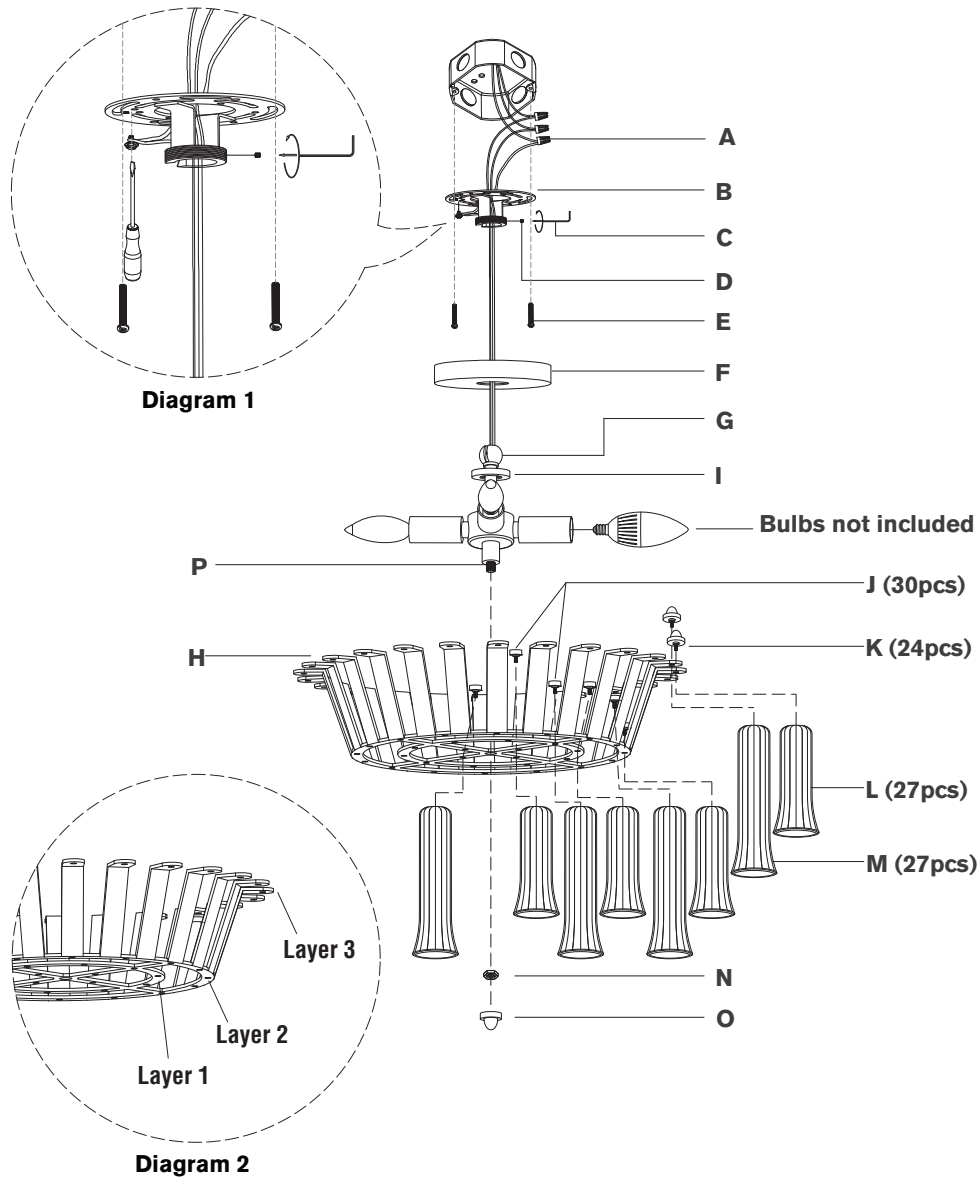


## ASSEMBLY INSTRUCTIONS



## Lorelei 18" Semi-Flush Mount

Item # JN 4250

### NOTICE:

This light fixture should be installed in accordance with all applicable, local installation codes, and by a person familiar with the construction and operation of it, as well as the hazards involved. Inspect item and contents carefully. If any damage or defect is found, do not install. Retain all packaging material until installation is complete and approved.

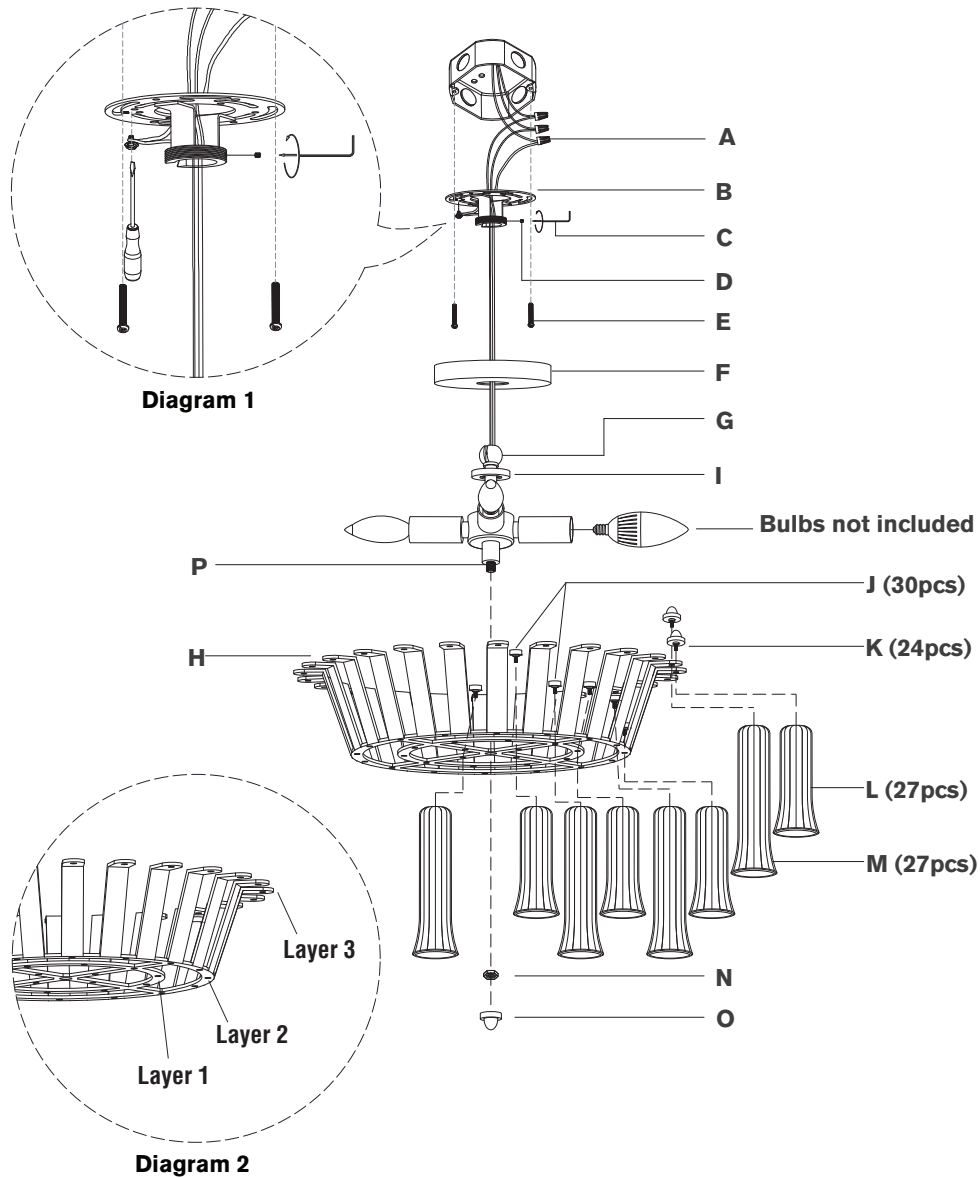
### TOOLS REQUIRED (NOT INCLUDED):

Phillips Screwdriver      Slotted Screwdriver      Wire Cutters  
Wire Strippers

1. Carefully remove all parts from the box. Place on a clean, soft surface.
2. Remove mounting plate **(B)** from canopy **(F)** by removing collar ring **(I)**.
3. Install mounting plate **(B)** to junction box and secure with mounting screws **(E)**.
4. Feed wires through collar ring **(G)** and canopy **(F)**, carefully resting on top of fixture body.
5. Hang fixture swivel ball **(G)** to the center of mounting plate **(B)** and secure with set screw **(D)** using provided wrench.
6. Cut excess wires, being sure to leave enough to reach the junction box. Separate wires, and strip insulation on each 5/8".
7. Wrap fixture ground wire (bare copper) around the green grounding screw (see diagram 1). Tighten. Continue fixture ground wire and connect to supply ground wire (usually green or bare copper) using wire nut **(A)**.
8. Connect fixture neutral wire (white) to the supply neutral wire (usually white) using wire nut **(A)**.
9. Connect fixture hot wire (black) to the supply hot wire (usually black) using wire nut **(A)**.

**CAUTION:** Do not reverse the hot and neutral connections.

## ASSEMBLY INSTRUCTIONS



## Lorelei 18" Semi-Flush Mount

Item # JN 4250

### NOTICE:

This light fixture should be installed in accordance with all applicable, local installation codes, and by a person familiar with the construction and operation of it, as well as the hazards involved. Inspect item and contents carefully. If any damage or defect is found, do not install. Retain all packaging material until installation is complete and approved.

10. Make sure all wire connections are tight, then carefully tuck into the junction box.
  11. Install canopy (F) to mounting plate (B) and secure with collar ring (I).
  12. Install light bulbs into the sockets.
  13. Install fixture frame (H) to threaded nipple (P) and secure with hex nut (N) and threaded cap (O).
  14. Install glass shades to each tier starting with shade (M) and alternating with shade (L). Secure shades using threaded caps (J & K).
- NOTE:** Install glass shades starting from layer 1 and working your way to layer 3. (see diagram 2)

**Care Instructions:** Clean only with a soft dry cloth or feather duster. Do Not use abrasive or chemical agents.