

ASSEMBLY INSTRUCTIONS

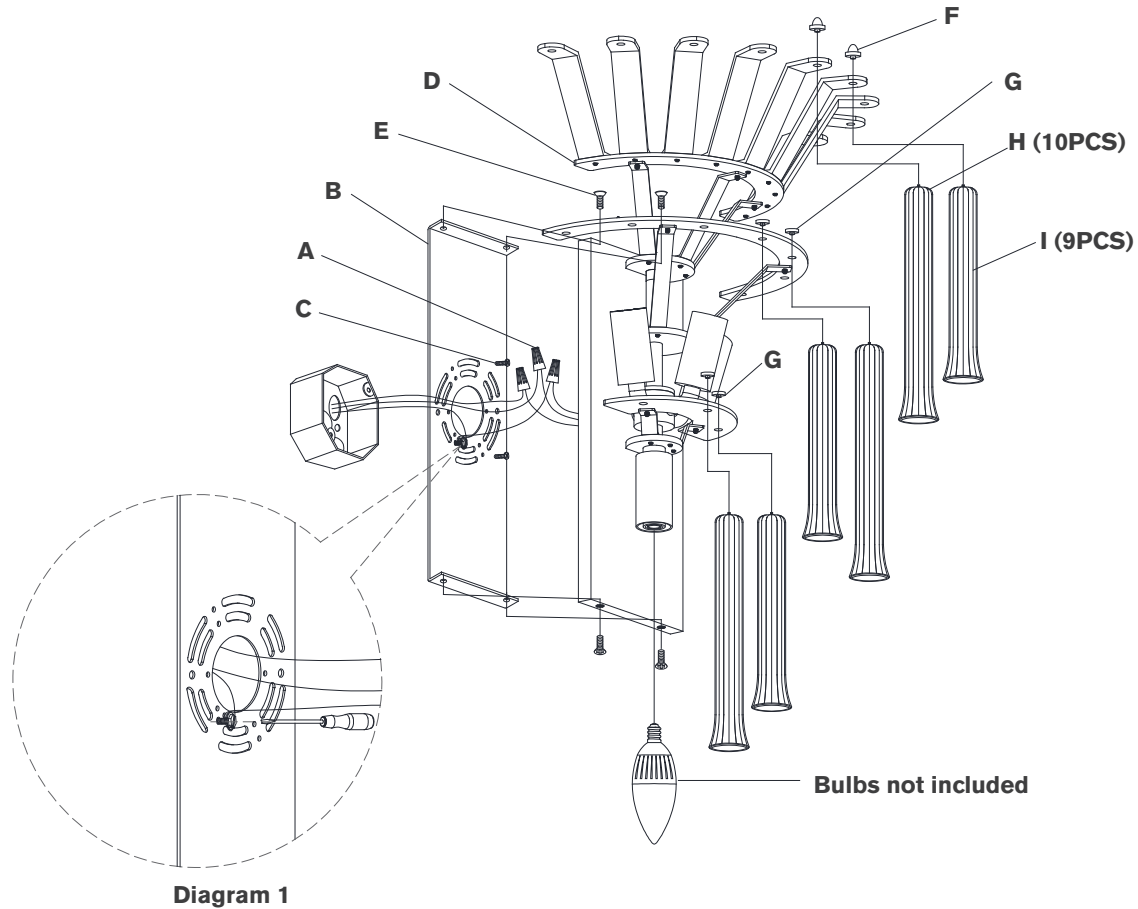
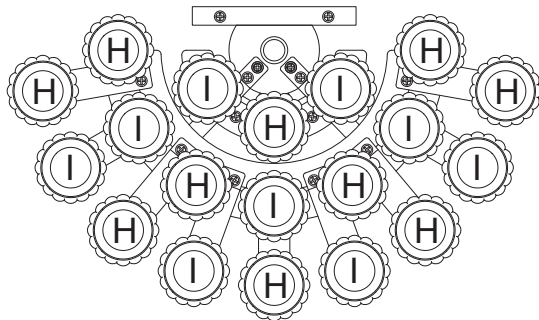


Diagram 1



Lorelei Large Waterfall Sconce

Item # JN 2250

NOTICE:

This light fixture should be installed in accordance with all applicable, local installation codes, and by a person familiar with the construction and operation of it, as well as the hazards involved. Inspect item and contents carefully. If any damage or defect is found, do not install. Retain all packaging material until installation is complete and approved.

TOOLS REQUIRED (NOT INCLUDED):

Phillips Screwdriver

Slotted Screwdriver

- Carefully remove all parts from the box. Place on a clean, soft surface.
 - Remove mounting plate (B) from fixture (D) by removing screws (E).
 - Install mounting plate (B) to the junction box and secure with the mounting screws (C).
 - Wrap fixture ground wire (bare copper) around the green grounding screw (see diagram 1). Tighten. Continue fixture ground wire and connect to supply ground wire (usually green or bare copper) using wire nut (A).
- NOTE:** It is imperative that the fixture is grounded.
- Connect fixture neutral wire (white) to the supply neutral wire (usually white) using wire nut (A).
 - Connect fixture hot wire (black) to the supply hot wire (usually black) using wire nut (A).
- CAUTION:** Do not reverse the hot and neutral connections.
- Make sure all wire connections are tight, then carefully tuck into the junction box.
 - Install fixture (D) to mounting plate (B) and secure with screws (E).
 - Install light bulbs into the sockets.

ASSEMBLY INSTRUCTIONS

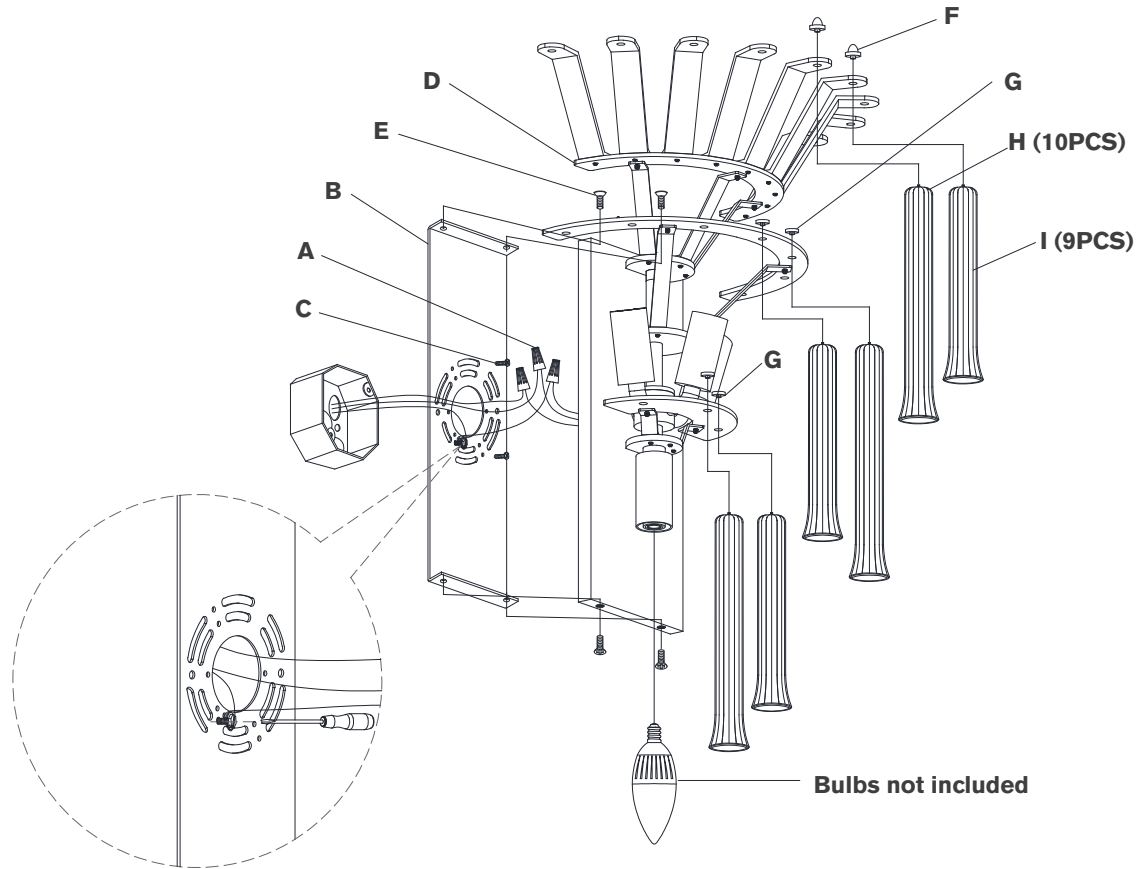
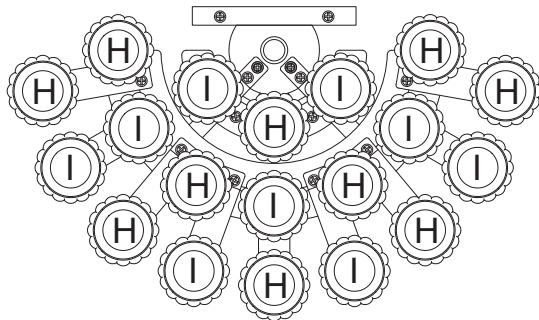


Diagram 1



Lorelei Large Waterfall Sconce

Item # JN 2250

NOTICE:

This light fixture should be installed in accordance with all applicable, local installation codes, and by a person familiar with the construction and operation of it, as well as the hazards involved. Inspect item and contents carefully. If any damage or defect is found, do not install. Retain all packaging material until installation is complete and approved.

10. Install glass shades to each tier starting with shade **(H)** and alternating with shade **(I)**. Secure shades using threaded caps **(G & F)**.

NOTE: Install glass shades starting from bottom layer and working your way to the top.

Care Instructions: Clean only with a soft dry cloth or feather duster. Do not use abrasive or chemical agents.