

Barn Light Outdoor Wall

8537401, 8637401, 8737401, 8837401 1.0

VISUAL COMFORT & Co.

STUDIO COLLECTION

CAUTION - RISK OF FIRE
This product must be installed in accordance with the applicable installation code by a person familiar with the construction and operation of the product and the hazards involved.
Use minimum 90°c supply conductors.

GENERAL PRODUCT INFORMATION:

These fixtures are intended to be installed utilizing NEC compliant junction boxes.

This product is safety listed for wet locations.

Incandescent version may be dimmed with a standard incandescent dimmer. LED version may be dimmed with a LED dimmer. Consult lamp manufacturer for additional information.

This instruction shows a typical installation.

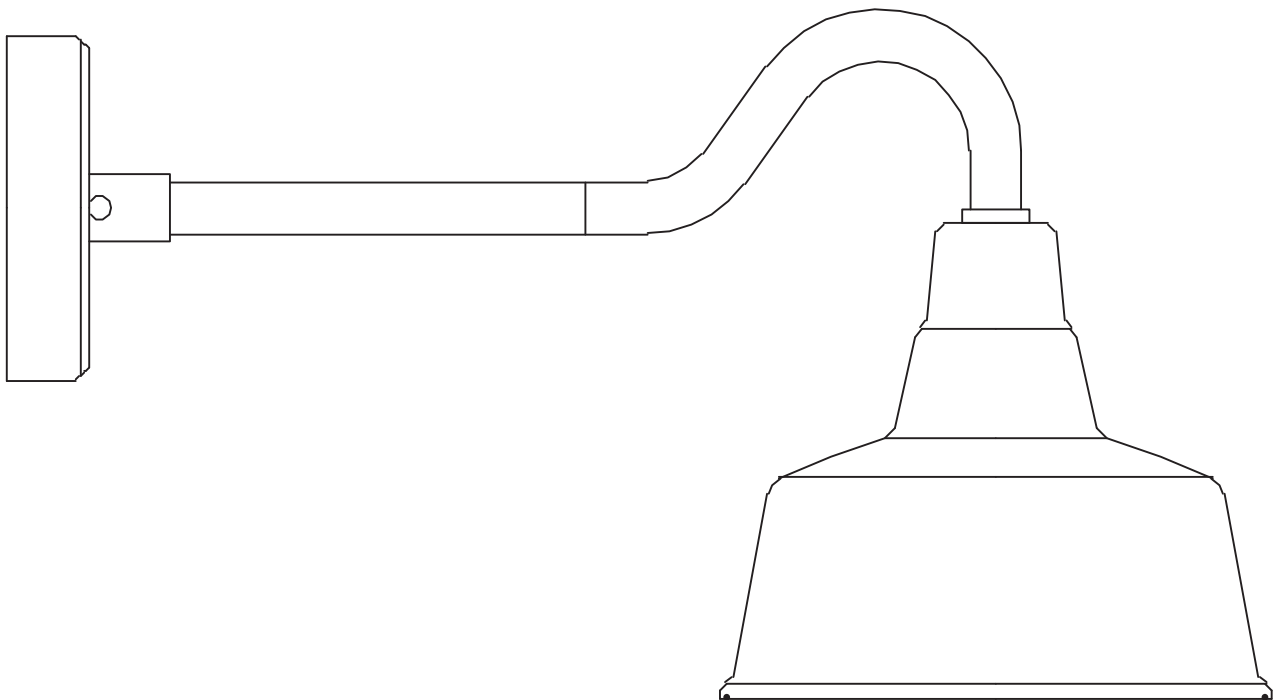
VISUAL COMFORT & Co.

7400 Linder Ave, Skokie, IL 160077

800.969.3347

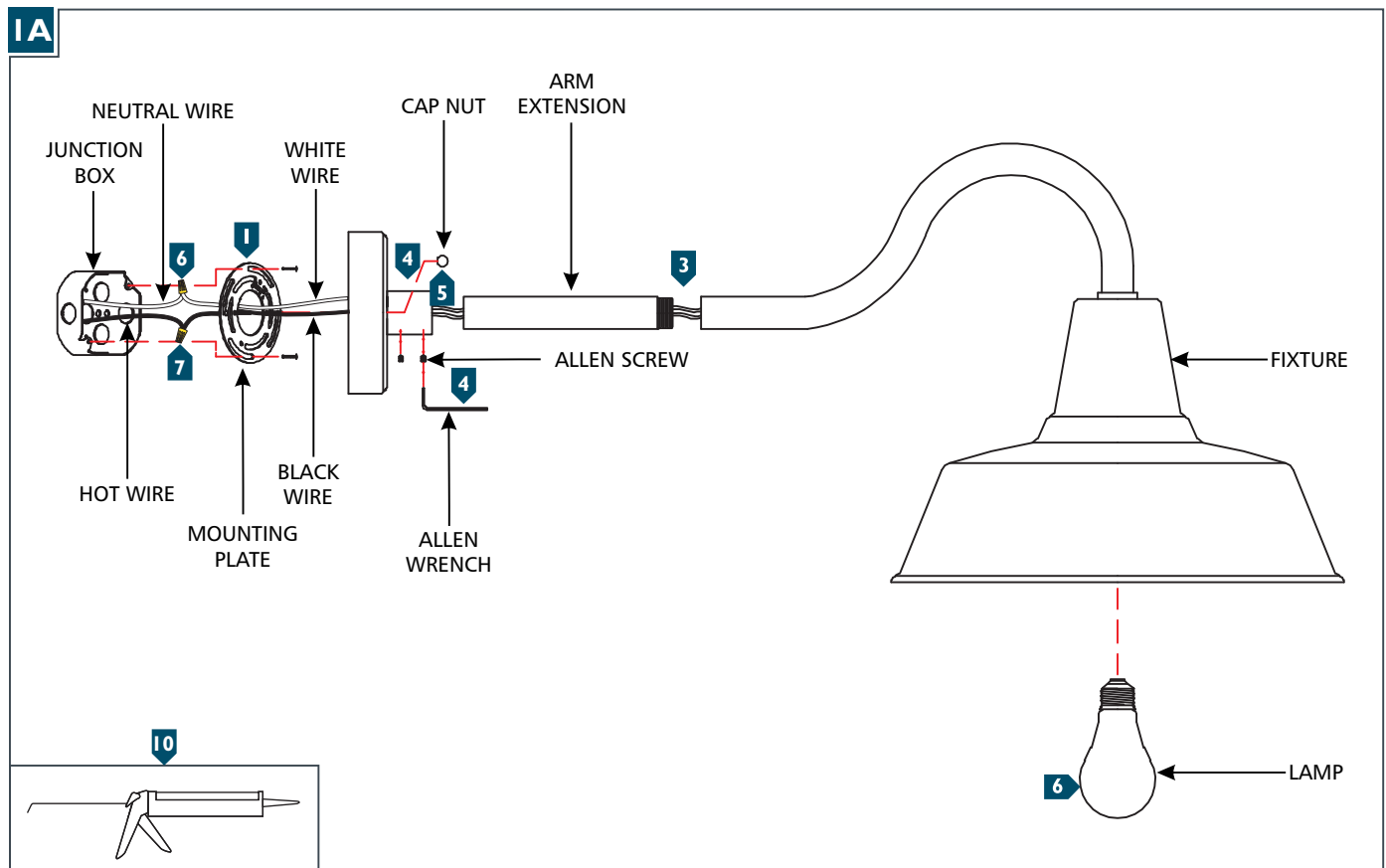
www.visualcomfort.com

©2023 Visual Comfort & Co.. All rights reserved. The Visual Comfort & Co. logo is a registered trademark of Visual Comfort & Co. Visual Comfort & Co. reserves the right to change specifications for product improvements without notification



SAVE THESE INSTRUCTIONS!

Install the Fixture



- 1** Secure the mounting plate to the junction box.
- 2** Optional: Feed fixture wires through the arm extension and screw the threaded end of the fixture arm into the fixture.
- 3** Feed the fixture wires into the fixture base.
- 4** Insert the fixture arm into the fixture base and secure in place with the provided allen screws.
- 5** Connect the fixture to a suitable ground in accordance to local electrical codes.
- 6** Connect the white fixture wire to the neutral power line wire with a wire nut.
- 7** Connect the black fixture wire to the hot power line wire with a wire nut.
- 8** Neatly place the wires into the junction box, mount the fixture base onto the mounting plate studs, and secure it with the two cap nuts.
- 9** Screw the lamp into socket. Refer to the label on the socket for Max Wattage Information.
- 10** Caulk around the base of the fixture with waterproof construction sealant.