



# Fireball<sup>®</sup> Supervised UL1638 Synchronized Strobe Warning Light

## Synchronized Strobe Light

- Available in 24VDC
- Four wires and supervisory diode
- Six dome colors
- 10,000 hour strobe tube
- Integrated 1/2-inch NPT pipe mount and surface mount
- Type 4X, IP66 enclosure
- In-rush protected
- UL 1638 Listed
- UL Listed and CSFM Approved
- UL 1638 - 300cd

## Model FB24ST

Federal Signal's brightest and most compact strobe light, this supervised FireBall<sup>®</sup> emits a powerful "lightning bolt" flash of light. Approximately five inches tall and four inches in diameter and rated at 300 effective candela, the FB24ST is economical and effective. The Fireball is available in 24VDC, this model is UL Listed and CSFM Approved.

The FB24STHI features a voltage in-rush limiting PCB design that provides greater compatibility with control systems and panels and less electrical interference with in-rush sensitive devices.

The FB24STHI features a clear dome that twists off easily for quick dome and lamp replacements. The newly redesigned base features an integrated 1/2-inch NPT pipe mount boss as well as the three holes required for surface mount configurations. Black epoxy paint is electrostatically applied to the base for superior corrosion resistance. The Fireball dome and base design provides a watertight, dust-tight and corrosion resistant Type 4X rating.

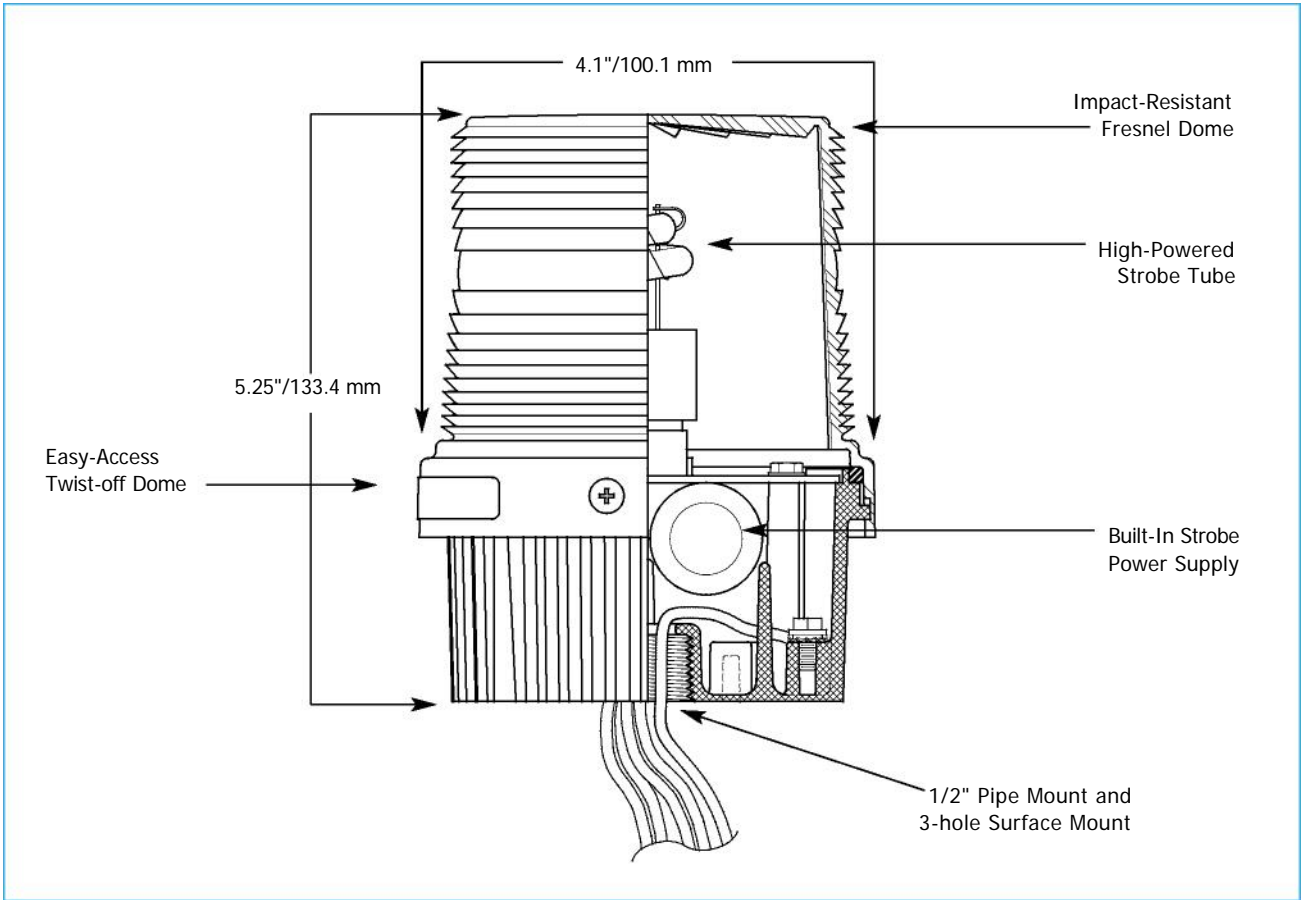
The Fireball FB24STHI contains a supervisory diode and four wire leads, for use in fire alarm applications. Synchronize with the Federal Signal SSM module or by installing on an indicating circuit programmed with the System Sensor sync protocol.

| Model  | Voltage | Operating Current                                      | Flash Rate/<br>Minute | Candela<br>Peak <sup>1</sup> | ECP <sup>2</sup> | Mount                 |
|--------|---------|--|-----------------------|------------------------------|------------------|-----------------------|
| FB24ST | 24VDC   | 0.7 amps<br>(2.0 amp, in-rush for approximately 100ms) | 80                    | 1,000,000                    | 300              | 1/2" Pipe NPT/Surface |



<sup>1</sup> Peak candela is the maximum light intensity generated by a flashing light during its light pulse

<sup>2</sup> ECP (Effective Candela) is the intensity that would appear to an observer if the light were burning steadily



**SPECIFICATIONS**

|                        |                |               |
|------------------------|----------------|---------------|
| Lamp Life*:            | 10,000 Hours   | 10,000 Hours  |
| Lamp Style:            | Strobe         | Strobe        |
| Operating Temperature: | -31°F to 150°F | -35°C to 66°C |
| Net Weight:            | 1.45 lbs.      | 0.7 kg        |
| Shipping Weight:       | 1.7 lbs.       | 0.8 kg        |
| Height:                | 5.25"          | 133.4 mm      |
| Diameter:              | 4.1"           | 100.1 mm      |

\* Optimal hours under ideal conditions.

**HOW TO ORDER**

- Specify model, voltage and color
- Specify options:  
 Corner Bracket (LCMB2)\*  
 Wall Bracket (LWMB2)\*



**REPLACEMENT PARTS**

| <i>Description</i> | <i>Part Number</i> | <i>Description</i>                | <i>Part Number</i> |
|--------------------|--------------------|-----------------------------------|--------------------|
| Dome, Amber        | K8550320A          | PC Assembly, 24VDC                | K2001202C          |
| Dome, Blue         | K8550320A-01       | Strobe Tube, Series A, A1, A2, A3 | Call Factory       |
| Dome, Clear        | K8550320A-02       | Strobe Tube, Series A4, A5, B     | K8107177A          |
| Dome, Green        | K8550320A-03       |                                   |                    |
| Dome, Red          | K8550320A-04       |                                   |                    |
| Dome, Magenta      | K8550320A-05       |                                   |                    |