



Model 24XSTHI

Explosion-Proof Supervised Hearing Impaired Strobe Light

The Federal Signal Model 24XSTHI Explosion Proof Strobe Light produces 80 high-intensity flashes per minute. The 24XSTHI is UL listed for Class 1, Division 1 & 2, Groups C & D; Class 1, Division 2, Groups A, B; Class II, Division 1, Groups E, F & G; and Class III. The 24XSTHI is Type 4X and IP66 rated.

The 24XSTHI features a current in-rush limiting PCB design to provide improved compatibility with inrush sensitive devices. This design limits the peak In-rush to 2A and operates on only 0.63A, when powered by 24VDC. To synchronize strobe lights use a power supply that has the System Sensor sync protocol or purchase the Synchronization Module (SSM) separately.

The 24XSTHI can be paired with a pendant, ceiling or wall mount sold separately. The installation process is simple, by pre-installing the mounting box, the fixture can be simply threaded onto the mounting box, making an electrical connection when the threads are engaged.

Model 24XSTHI offers a heavy duty, copper free cast aluminum housing is sealed with a red powder coat paint. This unit is specifically designed for explosion-proof atmospheres and/or corrosive environments. The 24XSTHI is ideal for use in areas such as oil rigs, mines, refineries, and chemical plants.

The 24XSTHI is also UL1971 Listed for hearing impaired and can be used in NFPA72 Public Mode Fire Alarm applications.

FEATURES

- Available in 24VDC regulated
- 10,000 hour strobe tube
- 3/4" NPT pendant, ceiling and wall mount options available
- Dome guard optional
- Type 4X, IP66 enclosure
- Marine Rated
- UL1971 Listed

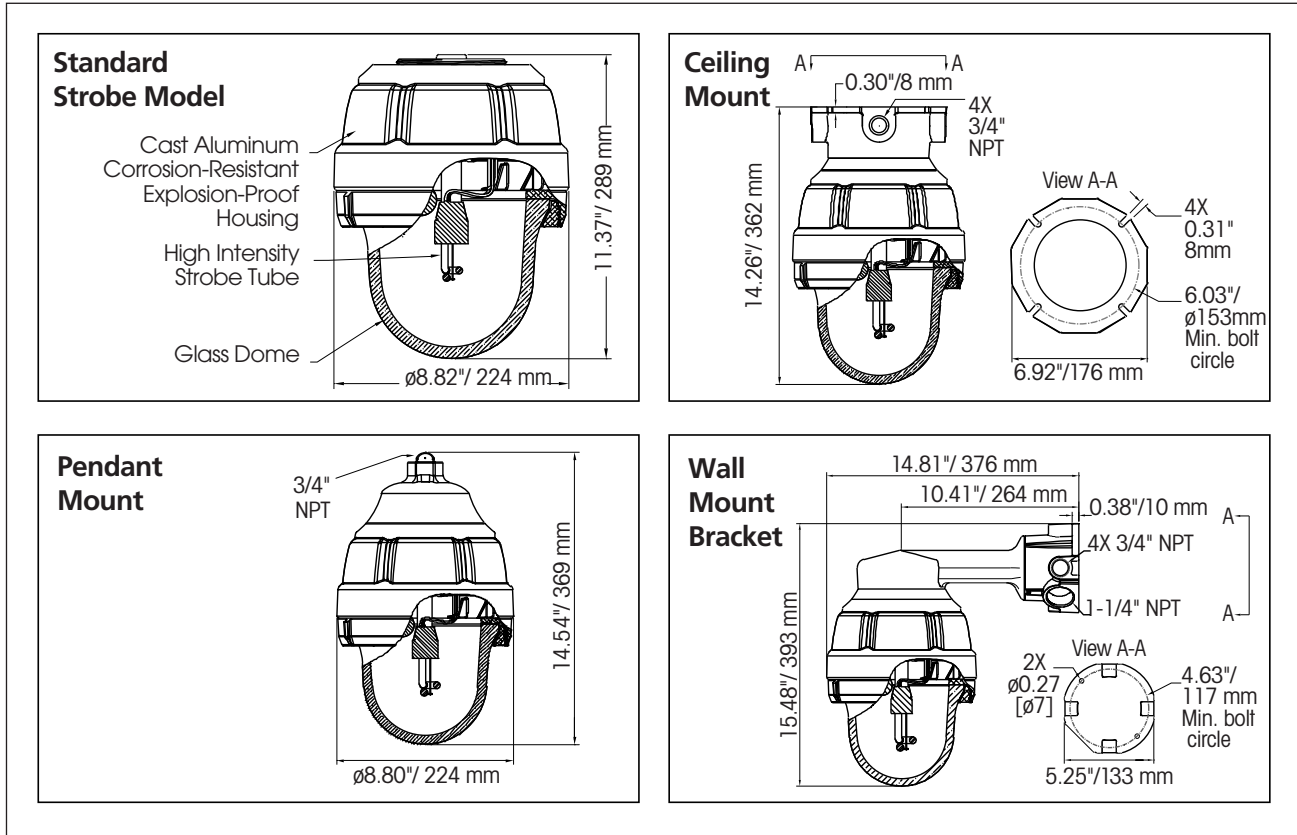
MODEL	VOLTAGE	PEAK IN-RUSH	OPERATING @ 16VDC	CURRENT @ 24VDC	FLASH RATE / MINUTE	CANDELA ECP ¹ UL971	
24XSTHI	24VDC Regulated (16-33V)	2A	1.02A	0.63	80	150	30

¹ECP (Effective Candela) is the intensity that would appear to an observer if the light were burning steadily

EXPLOSION-PROOF RATING:

MODEL	T-CODE @ 40°C C1,D1, Grp C,D	T-CODE @ 40°C C1,D2, Grp A,B	T-CODE @ 40°C C2,D1, Grp E,F,G	T-CODE @ 40°C C3	T-CODE @ 65°C C1,D1, Grp C,D	T-CODE @ 65°C C1,D2, Grp A,B	T-CODE @ 65°C C2,D1, Grp E,F,G	T-CODE @ 65°C C3
24XSTHI	T6	T4	T6	T6	T6	T3C	T4A	T4A

Explosion-Proof Supervised Hearing Impaired Strobe Light (24XSTHI)



S P E C I F I C A T I O N S

Lamp Life:	10,000 Hours	10,000 Hours
Light Source:	Strobe tube	Strobe tube
Operating Temperature Range:	-31°F to 150°F	-35°C to 65°C
Net Product Weight		
Signal without Mounting:	13.9 lbs	6.3 kg
Ceiling Mount:	4.5 lbs	2.0 kg
Pendant Mount:	2.0 lbs	0.9 kg
Wall Mount:	5.9 lbs	2.7 kg

R E P L A C E M E N T P A R T S

Description	Part Number
24VDC Mechanism	K8436107F-05
Strobe Tube	K8107159A

H O W T O O R D E R

Specify Model:
24XSTHI – Explosion-Proof Supervised Hearing Impaired Strobe

Specify Mounting Kit:
 Must be ordered with unit
CMXC-SB-R-SB – Ceiling Mount
PMXC-SB-R-SB – Pendant Mount
WMXC-R-SB – Wall Mount

Specify Optimal Accessories:
DBXC-SB – Dome Guard
SSM – Synchronization Module

