

D2xC1X10 Alarm Horn Sounder & Xenon Strobe Beacon

The D2xC1X10 features a high output, 116dB(A) alarm horn sounder combined with a 10 Joule Xenon strobe beacon.

Low current consumption and high SPL in a compact robust Type 4/4X, IP66 enclosure ensure the D2xC1X10 is suitable for all haz loc fire alarm system and general signalling applications.

The corrosion proof, marine grade aluminium die cast enclosure is phosphated and powder coated providing resilience in the harshest of hazardous location environments.

One device, globally certified: ATEX, IECEx Zone 2 & 22; NEC/CEC CI D2 and CII D2; NEC CI Zone 2 and Zone 22; CEC Zone 2 & 22 and CII D2.

UL & cUL approved 24Vdc version for fire alarm use.

Features

- 10 Joule Xenon beacon with 116dB(A) alarm horn
- 64 alarm tones, 4 remotely selectable alarm stages/channels
- Automatic synchronisation on multi-sounder system
- Field changeable lens colours

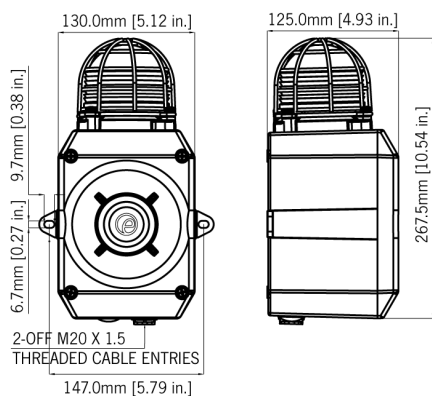
Approvals

- UL File ref: E230764
ANSI/ISA 12.12.01 - 2013
CSA C22.2 No. 213-M1987
ANSI/UL60079-0-13
ANSI/UL60079-15-2013
ISA60079-31-2009
CAN/CSA C22.2 No. 60079-0-11
CAN/CSA C22.2 No. 60079-15-12
CAN/CSA C22.2 No. 60079-31-12
- IECEx cert: IECEx ULD 14.0004X
IEC60079-0: ed. 6.0 (2011-06)
IEC60079-15: ed. 4.0 (2010-01)
IEC60031-31: ed. 2.0 (2013-11)
- ATEX cert: DEMKO 14 ATEX 4786493904X
EN60079-0:2012
EN60079-15:2010
EN60079-31:2009

Coding

- NEC / CEC: Class I Div 2 ABCD T1 Ta -40°C to +70°C
Class I Div 2 ABCD T2 Ta -40°C to +50°C
Class II Div 2 FG T4A Ta -40°C to +50°C (T5 to +40°C)
Class III Div 1&2 Ta -40°C to +50°C
- NEC: Class I Zone 2 AEx nA IIC T1 Gc (Ta -40°C to +50°C)
Class I Zone 2 AEx nA IIC T2 Gc (Ta -40°C to +40°C)
Zone 22 AEx tc IIIC 120°C Dc (Ta -40°C to +50°C)
- CEC: Class I Zone 2 Ex nA IIC T1 Gc X (Ta -40°C to +50°C)
Class I Zone 2 Ex nA IIC T2 Gc X (Ta -40°C to +40°C)
Zone 22 Ex tc IIIC 120°C Dc (Ta -40°C to +50°C)
Class II Div 2 EFG T4A Ta -40°C to +50°C
- IECEx & ATEX: II 3G Ex nA IIC T1 Gc (Ta -40°C to +50°C) (T2 to +40°C) II 3D Ex tc IIIC 90°C Dc (Ta -40°C to +50°C)





Specification

Horn Sounder:

Maximum output:	116dB(A) @ 1 metre [107dB(A) @ 10ft/3m]
Nominal output:	112dB(A) @ 1m +/- 3dB - Tone 2 [103dB(A) @ 10ft/3m]
No. of tones:	64 (UKOOA / PFEER compliant)
No. of stages:	4
Volume control:	Adjustable -12dB(A) [Tone 2]
Effective range:	125m/410ft @ 1KHz
Stage switching:	DC units - Positive or Negative line. AC units - common supply line

Strobe Beacon:

Energy:	10 Joules (10Ws)
Flash rate:	1Hz (60 fpm)
Peak Candela:	1,000,000 cd - calculated from energy (J)
Effective Intensity:	500 cd - calculated from energy (J)
Peak Candela:	101,784 cd - measured ref. to I.E.S.
Effective Intensity cd:	288.8 cd - measured ref. to I.E.S.
Lens colours:	Amber, Blue, Clear, Green, Magenta, Red & Yellow
Tube life:	Emissions are reduced to 70% after 8 million flashes

General:

Voltages DC:	24V dc [20-28Vdc]
Voltages AC:	115V ac 50/60Hz; 230V ac 50/60Hz
Ingress protection:	EN60529: IP66 UL50E / NEMA250: 4 / 4X / 3R / 13
Housing material:	Marine grade aluminium Al Si12 Cu
Colour:	Red (RAL3000), grey (RAL7038)
Cable entries:	2 x M20 x 1.5mm threaded gland entries
Terminals:	0.5 - 2.5mm ² (20-14 AWG)
Grounding stud:	M5
Operating temp:	-40 to +70°C [-40° to +158°F] - Class I Div 2 -40 to +50°C [-40° to +122°F] - All other approvals
Relative humidity:	90% at 20°C [68°F]
Weight:	DC: 2.80kg/6.16lbs AC: 3.10kg/6.82lbs

Part Codes

Version:	Part code:
Product type:	D2xC1X10 Haz Loc alarm horn sounder & Xenon strobe beacon
Voltage:	DC024 24V dc - UL/cUL Fire Alarm DC048 48V dc AC115 115V ac AC230 230V ac
Cable Entry Type: [e]	A 2 x M20x1.5mm B 2 x 1/2" NPT - adaptors C 2 x 3/4" NPT - adaptors D 2 x M25x1.5mm - adaptors E 1 x 1/2" NPT - adaptor F 1 x 3/4" NPT - adaptor G 1 x M25x1.5mm - adaptor
Note:	M20 stopping plugs supplied for unused entries
Adaptor/Stopping plug material: [m]	B Brass N Nickel Plated S Stainless Steel
Variable: [s]	1 A2 (304) Stainless Steel Lens Guard 2 A4 (316) Stainless Steel Lens Guard
Product version: [v]	A1 UL, cUL, IECEx & ATEX
Enclosure colour: [x]	R Red RAL3000 G Grey RAL7038
Lens colour: [y]	A Amber B Blue C Clear G Green M Magenta R Red Y Yellow

Alarm Sounder

Version:	Voltage:	Current:
24V dc	10-30V dc	313mA [at nominal voltage]
115V ac	50/60Hz +/-10%	90mA
230V ac	50/60Hz +/-10%	52mA

Xenon Beacon

Version:	Voltage:	Current:
24V dc	20-28V dc	82.3mA [at nominal voltage]
115V ac	50/60Hz +/-10%	211mA
230V ac	50/60Hz +/-10%	107mA

Tone table

S 1	Description	S 2	S 3	S 4	S 1	Description	S 2	S 3	S 4
T 1	1000 Continuous - PFEER Toxic Gas	T 3	T 2	T 44	T 33	800 (0.25s on, 1.00s off) Intermittent	T 53	T 24	T 8
T 2	1200/500 @ 1Hz Sweeping - DIN / PFEER P.T.A.P.	T 1	T 3	T 44	T 34	800 @ 2Hz (0.25s on, 0.25s off) - IMO code 3...	T 56	T 24	T 8
T 3	1000 @ 0.5Hz (1s on, 1s off) Intermittent - P...	T 1	T 2	T 44	T 35	1000 @ 1Hz (0.50s on, 0.50s off) Intermittent	T 44	T 24	T 8
T 4	1.4KH-1.6KHz 1s, 1.6KHz-1.4KHz 0.5s - NF C 48...	T 44	T 24	T 1	T 36	2400 @ 1Hz (0.50s on, 0.50s off) Intermittent	T 21	T 24	T 8
T 5	544(100mS)/440 (400mS) - NF S 32-001	T 52	T 19	T 1	T 37	2900 @ 5Hz (0.10s on, 0.10s off) Intermittent	T 53	T 24	T 8
T 6	1500/500 - (0.5s on , 0.5s off) x3 + 1s gap -...	T 7	T 44	T 1	T 38	363/518 @ 1Hz (0.50s / 0.50s) Alternating	T 1	T 8	T 19
T 7	500-1500Hz Sweeping 2 sec on 1 sec off - AS4428	T 6	T 44	T 1	T 39	450/500 @ 2Hz (0.25s / 0.25s) Alternating	T 1	T 8	T 19
T 8	500/1200Hz @ 0.26Hz(3.3s on, 0.5s off) - NEN ...	T 44	T 24	T 35	T 40	554/440 @ 1Hz (0.50s / 0.50s) Alternating	T 44	T 24	T 19
T 9	1000 (1s on, 1s off)x7 + (7s on, 1s off) - IM...	T 18	T 34	T 1	T 41	554/440 @ 0.65Hz (0.76s / 0.76s) Alternating	T 1	T 8	T 19
T 10	1000 (1s on, 1s off)x7 + (7s on, 1s off) - IM...	T 21	T 34	T 1	T 42	561/760 @ 0.83Hz (0.60s / 0.60s) Alternating	T 1	T 8	T 19
T 11	420(0.5s on, 0.5s off)x3 + 1s gap - ISO 8201 ...	T 44	T 1	T 8	T 43	780/600 @ 0.96Hz (0.52s / 0.52s) Alternating	T 1	T 8	T 19
T 12	1000(0.5s on, 0.5s off)x3 + 1s gap - ISO 8201...	T 44	T 1	T 8	T 44	800/1000 @ 2Hz (0.25s / 0.25s) Alternating	T 5	T 24	T 19
T 13	422/775 - (0.85 on, 0.5 off) x3 + 1s gap - ...	T 44	T 1	T 8	T 45	970/800 @ 2Hz (0.25s / 0.25s) Alternating	T 1	T 8	T 19
T 14	1000/2000 @ 1Hz - Singapore	T 23	T 3	T 35	T 46	800/1000 @ 0.875Hz (0.57s / 0.57s) Alternating	T 53	T 24	T 19
T 15	300 Continuous	T 44	T 24	T 35	T 47	2400/2900 @ 2Hz (0.25s / 0.25s) Alternating	T 57	T 24	T 19
T 16	440 Continuous	T 44	T 24	T 35	T 48	500/1200 @ 0.3Hz (1.67s / 1.67s) Sweeping	T 44	T 24	T 12
T 17	470 Continuous	T 44	T 24	T 35	T 49	560/1055 @ 0.18Hz (2.73s / 2.73s) Sweeping	T 44	T 24	T 12
T 18	500 Continuous - IMO code 2 (Low)	T 44	T 24	T 35	T 50	560/1055 @ 3.3Hz (0.15s / 0.15s) Sweeping	T 44	T 24	T 12
T 19	554 Continuous	T 64	T 24	T 35	T 51	600/1250 @ 0.125Hz (4s / 4s) Sweeping	T 44	T 24	T 12
T 20	660 Continuous	T 44	T 24	T 35	T 52	660/1200 @ 1Hz (0.50s / 0.50s) Sweeping	T 64	T 24	T 12
T 21	800 Continuous - IMO code 2 (High)	T 44	T 24	T 35	T 53	800/1000 @ 1Hz (0.50s / 0.50s) Sweeping	T 56	T 24	T 12
T 22	1200 Continuous	T 44	T 24	T 35	T 54	800/1000 @ 7Hz (0.07s / 0.07s) Sweeping	T 57	T 24	T 12
T 23	2000 Continuous	T 15	T 3	T 35	T 55	800/1000 @ 50Hz (0.01s / 0.01s) Sweeping	T 54	T 24	T 12
T 24	2400 Continuous	T 48	T 20	T 35	T 56	2400/2900 @ 7Hz (0.07s / 0.07s) Sweeping	T 57	T 24	T 12
T 25	440 @ 0.83Hz (0.60s on, 0.60s off) Intermittent	T 1	T 44	T 8	T 57	2400/2900 @ 1Hz (0.50s / 0.50s) Sweeping	T 47	T 24	T 12
T 26	470 @ 0.9Hz (0.55s on, 0.55s off) Intermittent	T 1	T 44	T 8	T 58	2400/2900 @ 50Hz (0.01s / 0.01s) Sweeping	T 54	T 24	T 12
T 27	470 @ 5Hz (0.10s on, 0.10s off) Intermittent	T 1	T 44	T 8	T 59	2500/3000 @ 2Hz (0.25s / 0.25s) Sweeping	T 44	T 24	T 12
T 28	544 @ 1.14Hz (0.43s on, 0.44s off) Intermittent	T 44	T 24	T 8	T 60	2500/3000 @ 7.7Hz (0.65s / 0.65s) Sweeping	T 44	T 24	T 12
T 29	655 @ 0.875Hz (0.57s on, 0.57s off) Intermittent	T 1	T 44	T 8	T 61	800Hz Motor Siren	T 44	T 24	T 12
T 30	660 @ 0.28Hz (1.80s on, 1.80s off) Intermittent	T 44	T 24	T 8	T 62	1200Hz Motor Siren	T 44	T 24	T 12
T 31	660 @ 3.3Hz (0.15s on, 0.15s off) Intermittent	T 30	T 24	T 8	T 63	2400Hz Motor Siren	T 44	T 24	T 12
T 32	745 @ 1Hz (0.50s on, 0.50s off) Intermittent	T 44	T 24	T 8	T 64	Simulated Bell	T 44	T 21	T 12