

# D2xB1X05 Haz Loc Xenon Strobe Beacon Warning Light

The D2xB1X05 features a high output 94.78cd, 5 Joule Xenon strobe beacon. Low current consumption and high SPL in a robust Type 4/4X, IP66 enclosure ensure the D2xB1X05 is suitable for haz loc fire alarm system and general signalling applications.

The corrosion proof, marine grade aluminium die cast enclosure is phosphated and powder coated providing resilience in the harshest of hazardous location environments.

One device, globally certified: ATEX, IECEx Zone 2 & 22; NEC/CEC CI D2 and CII D2; NEC CI Zone 2 and Zone 22; CEC Zone 2 & 22 and CII D2.

UL & cUL approved 24Vdc version is UL1638 compliant for private mode fire alarm use.

## Features

- Private mode fire use & General signaling UL1638
- 22.2 eff. candela - UL1638 Private mode fire
- 94.78 eff. candela - UL1638 general signaling
- Xenon tube mechanically secured against vibration & shock
- User replaceable Xenon tube assembly
- Duplicate cable terminations (in & out for daisy-chain installations)
- Large termination area
- Marine grade aluminium enclosure
- Ingress protection Type 4/4X/3R/13, IP66
- High impact resistant Borosilicate glass lens
- Stainless steel lens guard as standard
- Field changeable lens colour filter
- Stainless steel external and internal fixings
- Duplicate, pluggable cable terminations
- Conduit mounting via integral 3/4" NPT entry
- Surface mounting via user installed lugs
- Dual 1/2" NPT and dual M20 entries
- Supplied with haz loc rated stopping plugs
- Compact footprint

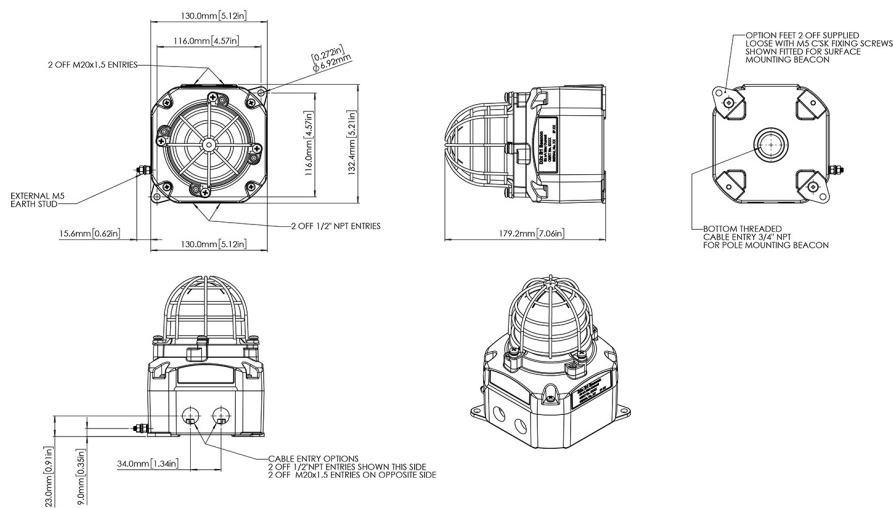
## Approvals

- UL/cUL File ref: E245313
- IECEx certificate: IECEx ULD 14.0004X
- ATEX certificate: DEMKO 14 ATEX 4786493904X

## Coding

- NEC / CEC: Class I Div 2 ABCD T3 Ta -40°C to +50°C  
Class II Div 2 EFG T5 Ta -40°C to +50°C  
Class II Div 2 EFG T6 Ta -40°C to +40°C  
Class III Div 1&2 Ta -40°C to +50°C
- NEC: Class I Zone 2 AEx nA IIC T3 Gc (Ta -40°C to +50°C)  
Zone 22 AEx tc IIIC 95°C Dc (Ta -40°C to +50°C)
- CEC: Class I Zone 2 Ex nA IIC T3 Gc X (Ta -40°C to +50°C)  
Zone 22 Ex tc IIIC 95°C Dc (Ta -40°C to +50°C)
- IECEx & ATEX: II 3G Ex nA IIC T3 Gc (Ta -40°C to +50°C)  
II 3D Ex tc IIIC 95°C Dc (Ta -40°C to +50°C)





## Specification

Energy:	5 Joules (5Ws)
Flash rate:	1Hz (60 fpm)
Peak Candela:	500,000 cd - calculated from energy (J)
Effective Intensity cd:	250 cd - calculated from energy (J)
Peak Candela:	33,410 cd* - measured ref. to I.E.S.
Effective Intensity cd:	94.78 cd* - measured ref. to I.E.S.
Lens colours:	Amber, Blue, Clear, Green, Magenta, Red & Yellow
Voltages DC:	24Vdc; 48Vdc
Voltages AC:	115Vac; 230Vac
Ingress protection:	IP rating per EN60529:IP66 Type rating per UL50E/NEMA250:4/4X/3R/13
Enclosure material:	Marine grade LM6 aluminum alloy
Colour:	Red (RAL3000), Grey (RAL7038)
Lens material:	Borosilicate glass dome with PC prismatic lens cover
Guard:	Stainless Steel dome guard as standard
Cable entries:	2 x M20x1.5, 2 x 1/2"NPT, 1 x 3/4"NPT
Stopping plugs:	Nickel Plated Brass plugs included
Ground/Earth stud:	M5
Terminals:	0.5 - 2.5mm <sup>2</sup> (20-14 AWG)
Line monitoring:	Blocking diode included EOL can be factory fitted
Operating temp:	-40 to +50°C [-40° to +122°F]
Storage temp:	-40 to +70°C [-40° to +158°F]
Relative humidity:	90% at 20°C [68°F]
Weight:	DC: 1.5kg/3.31lbs AC:1.75kg/3.86lbs

\* All candela data is representative of performance with clear lens at optimum voltage.

## Part Codes

Part Code:	Ident.:	Description:
Product type:	D2xB1X055	Joule Xenon Strobe Beacon
Voltage:	AC115	115-120V ac 50/60Hz
	AC230	220-230V ac 50/60Hz
	DC024	24V dc (20-28Vdc)
	DC048	48V dc (42-54V dc)
Cable entries: [e]	M	2 x 1/2" NPT, 2 x M20x1.5, 1 x 3/4"NPT
Adaptor/Stopping plug material: [m]	B	Brass
	N	Nickel Plated
	S	Stainless Steel
Lens Guard: [s]	1	A2 (304) Stainless Steel
	2	A4 (316) Stainless Steel
Version: [v]	A1	UL, cUL, IECEx & ATEX
Enclosure: [x]	G	Grey RAL7038
	R	Red RAL3000
Lens colour: [y]	A	Amber
	B	Blue
	C	Clear
	G	Green
	M	Magenta
	R	Red
	Y	Yellow
e.g:	D2xB1X055	Xenon Beacon in 24Vdc
	DC024	4MB1A1R/C brass stopping plugs, UL, cULs, IECEx & ATEX approved
		Red enclosure with Clear lens

## Current Consumption

Nominal Voltage:	Voltage range:	Nominal operating current:
24V dc	24V dc	560mA
48V dc	48V dc	260mA
115V ac	115-120Vac 50/60Hz	185mA
230V ac	220-230Vac 50/60Hz	107mA

