

D2xB1LD3 UL1971 Haz Loc Synchronized LED Light

The haz loc D2xB1LD3 is an auto-synchronizing LED warning light / beacon tested to UL1971 for public mode fire alarm, ADA compliant, hearing impaired applications. UL1971 effective candela rating of 82.1cd. NFPA 72 compliant 20ms pulse.

The D2xB1LD3 utilizes an array of super high power Cree® LED's, orientated to optimize visibility in any direction. The 20ms pulse creates an intense flash comparative to a Xenon strobe. Multiple D2xB1LD3 units will auto-synchronize when powered from the same power source removing the need for any additional sync modules on the circuit. The D2xB1LD3 contains a supervisory diode and duplicated pluggable terminals that not only simplify installation but also enable a 4 wire connection. The unit is UL, cUL and ULC approved for Class I Div 2, Class II Div 2, Class I Zone 2 / 22 as well as IECEx and ATEX certified for Zone 2 and 22 hazardous area applications.

Features

- Public mode fire use UL1971 & CAN/ULC-S526
- Private mode fire use UL1638
- Synchronized for over 2 hours per UL1971
- 82.1 eff. candela - UL1971 Public mode fire
- 112.5 eff. candela - UL1638 Private mode fire
- 252.0 eff. candela - UL1638 General signaling
- Ultra low operating current of 153mA
- In rush limiting circuit: 1.18A
- Choice of four UL1971 tested flash rates: 1Hz, 1.3Hz, 1.5Hz & 2Hz
- Marine grade aluminum enclosure
- Ingress protection Type 4/4X/3R/13, IP66
- High impact resistant Borosilicate glass lens
- Duplicate, pluggable cable terminations
- Conduit mounting via integral 3/4" NPT entry
- Surface mounting via user installed lugs
- Dual 1/2"NPT and dual M20 entries
- Supplied with haz loc rated stopping plugs

Approvals

- UL/cUL File ref: E245313
- IECEx certificate: IECEx ULD 14.0004X
- ATEX certificate: DEMKO 14 ATEX 4786493904X

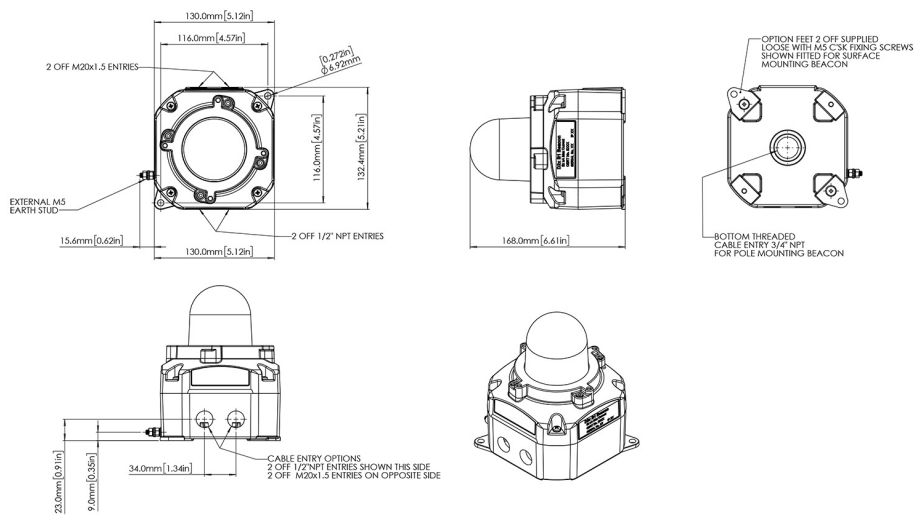
Coding

- NEC / CEC:
 - Class I Div 2 ABCD T4 Ta -40°C to +50°C
 - Class I Div 2 ABCD T4A Ta -40°C to +40°C
 - Class II Div 2 FG T6 Ta -40°C to +50°C
 - Class III Div 1&2 Ta -40°C to +50°C
- NEC:
 - Class I Zone 2 AEx nA IIC T4 Gc Ta -40°C to +50°C
 - Zone 22 AEx tc IIIC 75°C Dc Ta -40°C to +50°C
- CEC:
 - Class I Zone 2 Ex nA IIC T4 Gc X Ta -40°C to +50°C
 - Zone 22 Ex tc IIIC 75°C Dc X Ta -40°C to +50°C
- IECEx & ATEX:
 - II 3G Ex nA IIC T4 Gc Ta -40°C to +50°C
 - II 3D Ex tc IIIC 75°C Dc Ta -40°C to +50°C




THE SIGNAL SOURCE
 Industry's Source FOR Signaling Solutions™





Specification

Source:	Array of 3 x High Power Cree® LED's
Pulse width:	20ms - high intensity 'strobe' flash
Modes:	1Hz flash (60 fpm) 1.3Hz flash (80 fpm) 1.5Hz flash (90 fpm) 2Hz flash (120 fpm)
Eff. Intensity cd:	82.1 cd UL1971 Public mode fire
Eff. Intensity cd:	112.5 cd UL1638 Private mode fire
Eff. Intensity cd:	252.0 cd UL1638A General signaling
LED life:	>60,000 hours
Synchronization:	Flash rates synchronize for a minimum of 2 hours per UL1971
Voltage:	24V dc (16-33V dc)
In-rush:	1.18A for 2ms
Ingress protection:	IP rating per EN60529:IP66 Type rating per UL50E/NEMA250:4/4X/3R/13
Enclosure material:	Marine grade LM6 aluminum alloy
Enclosure colour:	Red (RAL3000)
Lens material:	Borosilicate glass
Cable entries:	2 x M20x1.5, 2 x 1/2"NPT, 1 x 3/4"NPT
Stopping plugs:	Nickel Plated Brass plugs included
Ground/Earth stud:	M5
Terminals:	0.5 - 2.5mm ² (20-14 AWG)
Line monitoring:	Blocking diode included EOL can be factory fitted
Operating temp:	-40 to +50°C [-40° to +122°F]
Storage temp:	-40 to +70°C [-40° to +158°F]
Relative humidity:	95%
Weight:	1.5kg/3.31lbs

Part Codes

Part Code:	Ident.:	Description:
Product type:	D2xB1LD3	Haz loc LED warning light / beacon
Voltage:	DC024	24V dc (16-33Vdc)
Cable entries: [e]	M	2 x 1/2" NPT 2 x M20x1.5 1 x 3/4" NPT
Stopping plug material: [m]	B N S	Brass Nickel plated brass Stainless steel
Lens guard & tag: [s]	0 5	No lens Guard No lens guard with Equip. Tag
Version: [v]	H1	UL, cUL, IECEx & ATEX - UL1971
Enclosure: [x]	R	Red RAL3000
Lens colour: [y]	C	Clear
Accessories:	SP65-0001-A2 SP65-0001-A4 SP65-0002-A2 SP65-0002-A4	Pole Mount Bracket Kit 2" St/St A2 (304) Pole Mount Bracket Kit 2" St/St A4 (316) Sunshade - St/St A2 (304) Sunshade - St/St A4 (316)

Current Consumption

Nominal Voltage:	In rush:	Voltage range:	Flash Rate setting:	Nominal operating current:
24V dc	1.18A	Regulated 16-33V dc	1Hz (60fpm) 1.3Hz (80 fpm) 1.5Hz (90fpm) 2Hz (120fpm)	153mA 189mA 203mA 248mA