

EXPLOSION-PROOF AMPLIFIED SPEAKERS



HIGH OUTPUT EXPLOSION PROOF AMPLIFIED SPEAKERS

- Available in 24VDC
- Built-in gain control
- 4-wire supervisable power circuit
- IP65, NEMA 4X Approved
- Class 1, Div 1, Groups B, C, D
- Swivel mount bracket
- UL Listed and CSFM Approved

Model ASHX and ASUX

The Federal Signal Model ASHX and ASUX Explosion Proof Amplified Speakers are designed to produce crisp, clear tones in supervised alarm notification systems. Both models are compatible with fire alarm, voice evacuation, suppression supervised control panels, and power boosters.

These amplified speakers can broadcast tones generated by a Tone Card installed into the speaker (the plug-in 32-tone UTM) or by a central tone source in a voice evacuation or paging system. When live public address or voice messages are required, plug-in Connector Cards (AM25CK or AM70CK) interface with the Vrms of the EVAC panel.

The speaker cone and projector are constructed of rugged spun aluminum. The solid-state amplifier circuit is protected in a die-cast aluminum housing. Dust- and moisture-proof gaskets provide protection from the elements. All external surfaces are sealed with red powder coat paint. A heavy-duty swivel mount bracket allows the installer to direct the output effectively.

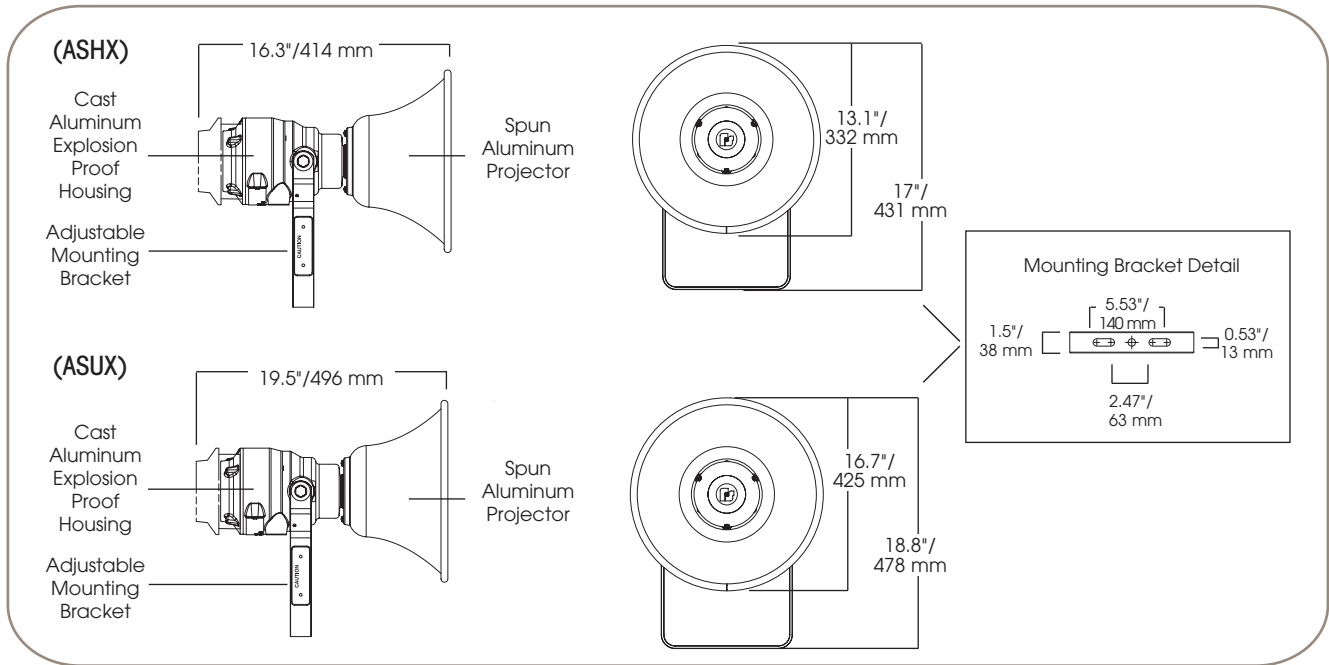
The ASHX and ASUX are UL Listed for Class I, Division 1, Groups B, C & D.

The rugged construction and high output of the Model ASHX and ASUX make them ideal for use in harsh environments with high ambient noise levels. Both models feature an internal gain control for sound level adjustment to suit area.

| Model | Voltage | Operating Current | Standby Current | SPL per UL1480 | | SPL on Axis | |
|------------|---------|-------------------|-----------------|----------------|--------|-------------|--------|
| | | | | 10' | 1m | 10' | 1m |
| ASHX -024R | 24VDC | 0.7 amps | 0.13 amps | 91dBa | 101dBa | 110dBa | 120dBa |
| ASUX -024R | 24VDC | 1.0 amps | 0.13 amps | 97dBa | 107dBa | 114dBa | 124dBa |



EXPLOSION-PROOF AUDIBLE SIGNALING DEVICE (Model ASHX and ASUX)



SPECIFICATIONS

ASHX

| | | |
|------------------------|----------------|---------------|
| Operating Temperature: | -40°F to 150°F | -40°C to 66°C |
| Net Weight: | 15.4 lbs. | 7.0 kg |
| Shipping Weight: | 22.8 lbs. | 10.4 kg |
| Height: | 17.0" | 431.80 mm |
| Width: | 13.1" | 332.73 mm |
| Depth: | 16.3" | 414.02 mm |

ASUX

| | | |
|------------------------|---------------------------|---------------|
| Operating Temperature: | -40°F to 150°F | -40°C to 66°C |
| Net Weight: | 16.4 lbs. | 7.4 kg |
| Shipping Weight: | 32.4 lbs. | 14.7 kg |
| Height: | 18.8" | 477.52 mm |
| Width: | 16.7" | 424.17 mm |
| Depth: | 19.5" | 495.30 mm |
| Ingress Protection: | IP65 and NEMA 4X Approved | |

HOW TO ORDER

- Specify model number
ASHX-024R or ASUX-024R
- Universal Tone Module (UTM)
- Specify Connector Kit for use in systems
70 Vrms Connector Kit (AM70CK)
25 Vrms Connector Kit (AM25CK)

REPLACEMENT PARTS

| Description | Part Number |
|---------------------------|--------------|
| ASHX | |
| Amplifier Assembly | K2005355A-01 |
| Horn Assembly | K8593100A |
| Driver Assembly | K8593097A |
| Cover Assembly | K8593098A |
| Mounting Bracket Assembly | K8593071A |
| 4 Pos connector | K140340B |
| ASUX | |
| Amplifier Assembly | K2005355A-02 |
| Horn Assembly | K8593101A |
| 4 Pos connector | K140340B |