



## HIGH OUTPUT WARNING AND VOICE COMMUNICATION

- 24VDC
- Built-in gain control
- Digital signal amplification
- Fused input and output
- Type 3R enclosure
- 4-wire supervisable power circuit
- UL Listed and CSFM Approved
- For indoor and outdoor use

## Model ASHP and Model ASUP

The Federal Signal Models ASHP and ASUP Amplified Speakers are designed to produce crisp, clear tones in supervised alarm notification systems. These amplified speakers can broadcast tones generated by a tone card installed into the speaker (the plug-in 32-tone UTM) or by a central tone source in a voice evacuation or paging system. When live public address or voice messages are required, plug-in Connector Cards (AM25CK or AM70CK) interface with the Vrms of the EVAC panel.

Both speaker amplifiers are compatible with fire alarm and suppression supervised control panels and power boosters.

The speaker cone and projector are constructed of rugged spun aluminum. The solid-state amplifier circuit is protected in a die-cast aluminum housing. Dust- and moisture-proof gaskets provide protection from the elements. All external surfaces are sealed with red powder coat paint. The amplified speakers are easily installed on any flat surface.

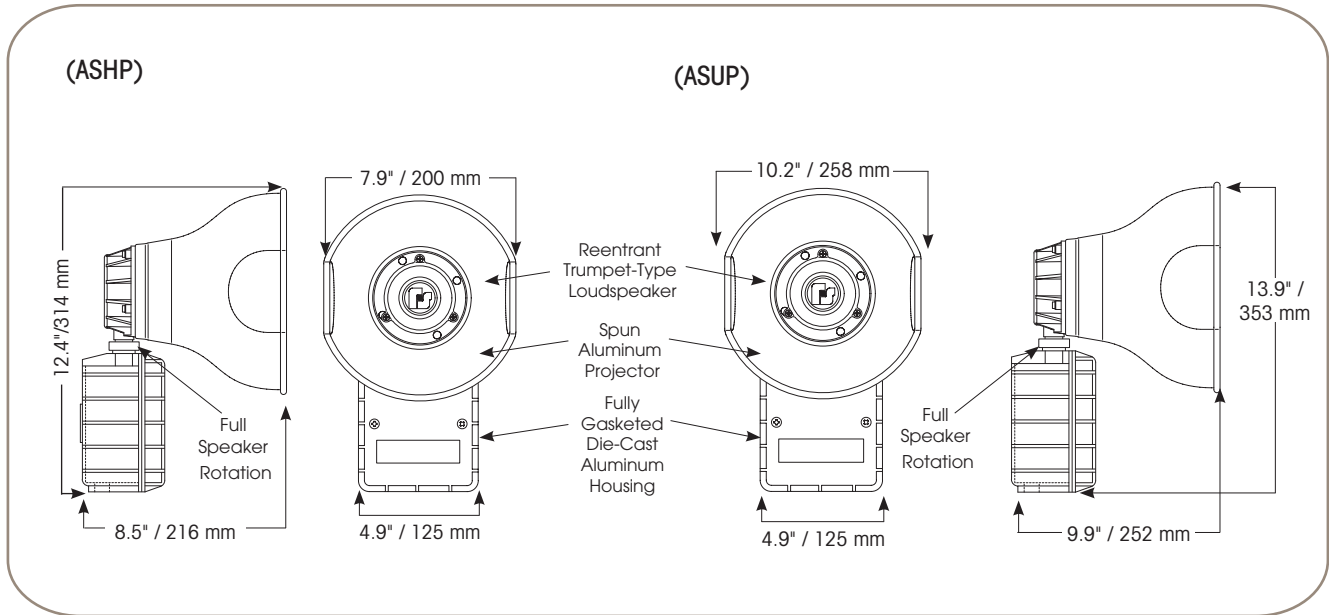
Both the ASHP and ASUP are UL Listed for use indoors and out.

The rugged construction and high output of the Models ASHP and ASUP make it ideal for use in harsh environments with high ambient noise levels. Both models feature an internal gain control for sound level adjustment to the suit area.

Model	Voltage	Operating Current	Standby Current	SPL per UL1480		SPL on Axis	
				10'	1m	10'	1m
ASHP -024R	24VDC	0.7 amps	0.15 amps	95dBa	105dBa	108dBa	118dBa
ASUP -024R	24VDC	1.3 amps	0.15 amps	100dBa	110dBa	112dBa	122dBa



## MODELS ASHP AND ASUP AMPLIFIED SPEAKERS



### SPECIFICATIONS

#### ASHP

Operating Temperature:	-40°F to 150°F	-40°C to 66°C
Net Weight:	4.5 lbs.	2.0 kg
Shipping Weight:	5.7 lbs.	2.6 kg
Height:	12.4"	314.0 mm
Width:	7.9"	200.0 mm
Depth:	8.5"	216.0 mm

#### ASUP

Operating Temperature:	-40°F to 150°F	-40°C to 66°C
Net Weight:	6.1 lbs.	2.8 kg
Shipping Weight:	7.5 lbs.	3.4 kg
Height:	13.9"	353.0 mm
Width:	10.2"	258.0 mm
Depth:	9.9"	252.0 mm

### HOW TO ORDER

- Specify model number  
ASHP-024R or ASUP-024R
- Universal Tone Module (UTM)
- Specify Connector Kit for use in systems  
70 Vrms Connector Kit (AM70CK)  
25 Vrms Connector Kit (AM25CK)

### REPLACEMENT PARTS

Description	Part Number
<b>ASHP</b>	
Amplifier Assembly	K2005356A
Voice Coil Series B	K8593035A
Speaker Assembly	K8593082A
4 Pos connector	K140340B
<b>ASUP</b>	
Amplifier Assembly	K2005356A-01
Voice Coil Series B	K8593036A
Speaker Assembly	K8593103A
4 Pos connector	K140340B