

## HAZARDOUS LOCATION AMPLIFIED SPEAKERS



### HIGH OUTPUT HAZARDOUS LOCATION AMPLIFIED SPEAKERS

- 24VDC
- Reliable, solid-state circuitry
- Built-in gain control
- Digital signal amplification
- Fused input and output
- Type 4X enclosure
- External mounting tabs
- 4-wire supervisable power circuit
- UL Listed and CSFM Approved

### Model ASHH and Model ASUH

Federal Signal Models ASHH and ASUH Hazardous Location Amplified Speakers are designed to produce crisp, clear tones in supervised alarm notification systems. Both speakers amplifiers are compatible with fire alarm, voice evacuation, suppression supervised control panels and power boosters.

These amplified speakers can broadcast tones generated by a Tone Card installed into the speaker (the plug-in 32-tone UTM) or by a central tone source in a voice evacuation or paging system. When live public address or voice messages are required, plug-in Connector Cards (AM25CK or AM70CK) interface with the audio output of the EVAC panel.

The speaker cone and projector are constructed of rugged spun aluminum. The solid-state amplifier circuit is protected in a die-cast aluminum housing. Dust and moisture-proof gaskets provide protection from the elements. All external surfaces are sealed with red powder coat paint. The ASHH and ASUH are easily installed with external mounting tabs.

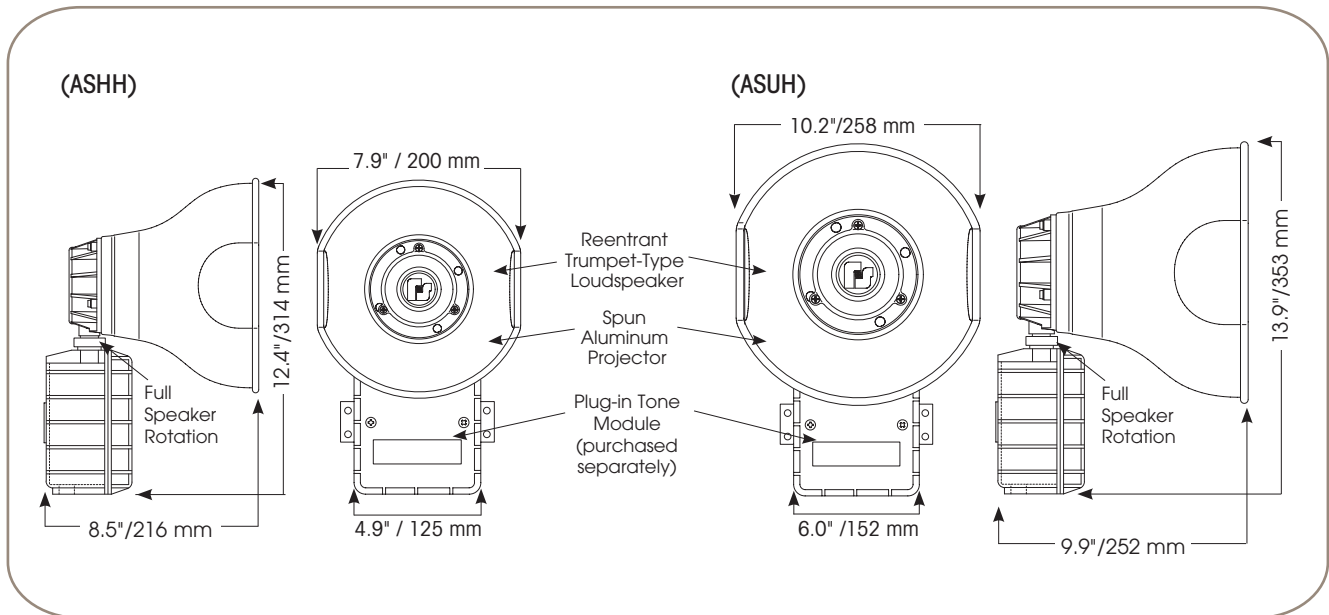
The ASHH and ASUH are UL Listed for Class I, Division 2, Groups A, B, C and D; Class II, Division 2, Groups F & G; and Class III.

The rugged construction and high output of the Model ASHH and ASUH make it ideal for use in harsh environments with high ambient noise levels. Both models feature an internal gain control for sound level adjustment to the suit area.

Model	Voltage	Operating Current	Standby Current	SPL per UL1480		SPL on Axis	
				10'	1m	10'	1m
ASHH-024R	24VDC	0.7 amps	0.15 amps	95dBa	105dBa	108dBa	118dBa
ASUH-024R	24VDC	1.3 amps	0.15 amps	100dBa	110dBa	112dBa	122dBa



## MODELS ASHH AND ASUH HAZARDOUS LOCATION AMPLIFIED SPEAKERS



### SPECIFICATIONS

#### ASHH

Operating Temperature:	-40°F to 150°F	-40°C to 66°C
Net Weight:	4.5 lbs.	2.0 kg
Shipping Weight:	5.7 lbs.	2.6 kg
Height:	12.4"	314.0 mm
Width:	7.9"	200.0 mm
Depth:	8.5"	216.0 mm

#### ASUH

Operating Temperature:	-40°F to 150°F	-40°C to 66°C
Net Weight:	6.1 lbs.	2.8 kg
Shipping Weight:	7.5 lbs.	3.4 kg
Height:	13.9"	353.0 mm
Width:	10.2"	258.0 mm
Depth:	9.9"	252.0 mm

### HOW TO ORDER

- Specify model number  
ASHH-024R or ASUH-024R
- Universal Tone Module (UTM)
- Specify Connector Kit  
for use in systems:  
70 Vrms Connector Kit (AM70CK)  
25 Vrms Connector Kit (AM25CK)

### REPLACEMENT PARTS

Description	Part Number
<b>ASHH</b>	
Amplifier Assembly	K2005356A
Voice Coil, Series B	K8593035A
Speaker Assembly	K8593082A
4 Pos connector	K140340B
<b>ASUH</b>	
Amplifier Assembly	K2005356A-01
Voice Coil Series B	K8593036A
Speaker Assembly	K8593103A
4 Pos connector	K140340B