

## AUDIOMASTER® PUBLIC ADDRESS HAZARDOUS LOCATION SPEAKER



### PUBLIC ADDRESS FOR INDUSTRIAL ENVIRONMENTS

- Transformer coupled
- 15 watt (AM300GCX-R)
- 30 watt (AM302GCX-R)
- 25 or 70 Vrms
- Re-entrant horn design
- Wall mount
- 1/2-inch conduit openings
- Type 4X enclosure
- UL Fire Listed
- UL 1480 and CSFM Approved, CUL Listed
- Class 1, Div 2, Groups A, B, C, D; Class II, Div 2, Groups F, G, Class III

### Models AM300GCX-R and AM302GCX-R

Federal Signal Models AM300GCX-R and AM302GCX-R are rugged, transformer coupled, re-entrant speakers for use in public address or paging applications. These speakers feature rugged cones and projectors constructed of spun aluminum. The wiring connections are enclosed in a dust and moisture-proof, die-cast aluminum compartment. All external surfaces are finished with a red powder coat paint.

Power handling for the AM300GCX-R is 15 watt and the AM302GCX-R is rated for 30 watt. There are transformer taps at 15, 9, 3 and 1.5 watt in the AM300GCX-R and 30, 15 and 9 watt in the AM302GCX-R. Both speakers are designed for use in 25 or 70 Vrms distributed systems. Both models are UL and CUL Listed for Class 1, Division 2, Groups A, B, C, and D; Class II, Division 2, Groups F & G; and Class III environments. The design and seal of the speaker assembly and housing have been tested and approved by UL for Type 4X requirements.

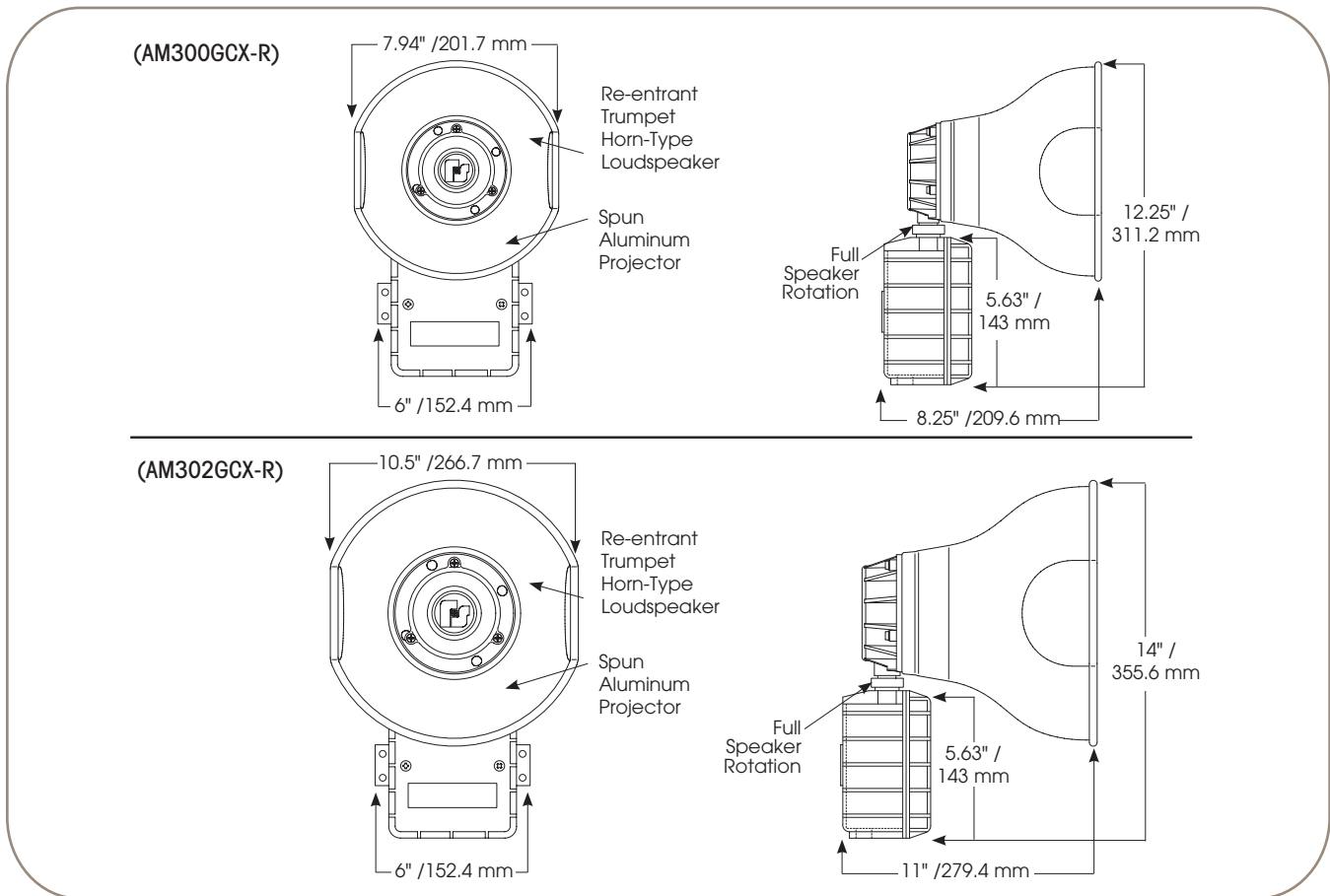
Four screws inserted through the metal tabs located at the side of the housing make for a simple wall mount. The bottom of these speakers contains two 1/2-inch conduit openings in the base of the housing to accommodate inbound and outbound audio wiring. The unique shape of the speaker projectors provides an impressive 60° sound dispersion pattern. The projectors are held in position with a Teflon coated lock ring that can be rotated 180° in order to obtain the desired sound distribution.

The AM300GCX-R and the AM302GCX-R can be used supervised alarm notification systems or CTS series amplifiers and the AudioRouter™ to complete an industrial grade public address system.

Model	Power Handling	Frequency Response	Transformer	Power Taps	Beam Width	SPL per UL1480 10'	SPL per UL1480 1m
AM300GCX-R	15 watt	600-5000Hz	25/70 Vrms	15, 9, 3, 1.5	60°	110dBa	120dBa
AM302GCX-R	30 watt	400-4000Hz	25/70 Vrms	30, 15, 9	60°	114dBa	124dBa



## PUBLIC ADDRESS SPEAKERS (AM300GCX-R and AM302GCX-R)



### SPECIFICATIONS

#### AM300GCX-R

Net Weight:	4.85 lbs.	2.2 kg
Shipping Weight:	6.0 lbs.	2.72 kg
Height:	12.25"	311.2 mm
Width:	7.94"	201.7 mm
Depth:	8.25"	209.6 mm

#### AM302GCX-R

Net Weight:	7.2 lbs.	3.3 kg
Shipping Weight:	8.1 lbs.	3.67 kg
Height:	14.0"	355.6 mm
Width:	10.5"	266.7 mm
Depth:	11.0"	279.4 mm

### HOW TO ORDER

- Specify model number  
AM300GCX-R (15 watt model) or  
AM302GCX-R (30 watt model)