



FEDERAL SIGNAL

Safety and Security Systems / Industrial

Advancing security and well-being.

Model AM302 and AM302GCX Audiomaster® Speaker



Installation and Maintenance Manual



FEDERAL SIGNAL
Safety and Security Systems / Industrial

Advancing security and well-being.

Industrial Systems

2645 Federal Signal Drive • University Park, IL 60484-3167
Tel.: 1-708-534-4756 • 1-877-289-3246 • Fax: 1-708-534-4852
www.federal-signal-indust.com • www.fs-isys.com

© 2013 Federal Signal Corp.

INSTALLATION INSTRUCTIONS FOR MODEL AM302 and AM302GCX AUDIOMASTER® SPEAKER



Failure to follow all safety precautions and instructions may result in property damage, serious injury, or death to you or others.

SAFETY MESSAGE TO INSTALLERS

Peoples lives depend on your safe installation of our products. It is important to follow all instructions shipped with the products. This device is to be installed by a trained electrician who is thoroughly familiar with the National Electric Code and will follow the NEC guidelines as well as local codes.

The selection of the mounting location for the device, its controls and routing of the wiring is to be accomplished under the direction of the Facilities Engineer and the Safety Engineer. In addition, listed below are some other important safety instructions and precautions you should follow:

- Read and understand all instructions before installing or operating this equipment.
- This unit must be installed by a qualified electrician in accordance with National and local Electrical Codes, under the direction of the authority having jurisdiction.
- Do not connect this unit to the system when power is on.
- All effective warning speakers produce loud sounds which may cause, in certain situations, permanent hearing loss. You should take appropriate precautions such as wearing hearing protection.
- After installation, test the sound system to ensure proper operation.
- All effective warning speakers produce loud sounds, which may cause, in certain situations, permanent hearing loss. The device should be installed far enough away from potential listeners to limit their exposure while still maintaining its effectiveness. The OSHA Code of Federal Regulations 1910.95 Noise Standard provides guidelines which may be used regarding permissible noise exposure levels.
- Show these instructions to your Safety Engineer and then file them in a safe place and refer to them when maintaining and/or reinstalling the unit.
- After installation and completion of initial system test, a program for periodic testing of this device must be established. Refer to the authority having jurisdiction for this information.
- Consult the authority having jurisdiction in your area regarding the proper use and installation of this product.

I. GENERAL.

The AudioMaster Model AM302 and AM302GCX are 25 Vrms and 70 Vrms, indoor/outdoor rated, selectable power output (9 to 30 watts) loudspeakers for use with general utility signaling systems such as Federal Signal's SelecTone system. They are designed to reproduce electronically generated warning tones, which command rapid recognition, and full range voice communication. They are suitable for use in areas with high ambient noise levels. The speaker projector is adjustable and may be repositioned to obtain desired sound distribution.

The AM302GCX is suitable for use in Class I, Division 2, Groups A, B, C, & D; Class II, Division 2, Groups F & G; Class III Hazardous, and Non-hazardous Locations.

II. SPECIFICATIONS.

Operating Voltage	25 Vrms or 70 Vrms
Power Input (selectable)	9 W, 15 W, and 30 W
Maximum Supervisory Voltage	50Vdc
Weight (approx.)	7 lb. (3.2kg)
Size	14" (356mm) high, 10" (254mm) wide, 11" (279mm) deep.
Construction	Aluminum enclosure painted with grey electrostatic powder coating. Amplifier housing sealed with neoprene rubber gasket.

Audibility information is shown in table 1.

III. INSTALLATION.

A. Unpacking.

After unpacking the speaker, examine it carefully for possible damage that may have occurred in transit. If equipment has been damaged, immediately file a claim with the carrier stating extent of damage. Carefully check all shipping labels and tags for special instructions before removing or destroying them.

B. Mounting Arrangements (see figure 1).



To maintain the hazardous location rating of the Model AM302GCX, do not use the 7/8" knockout (concealed conduit mounting).

The speaker can be mounted on any relatively flat surface. Conduit connection can be made to 1/2" threaded opening at bottom of housing or to 7/8" knockout in rear of housing. After the mounting location and mounting method have been selected, proceed with the applicable instructions below.



POWER TAP	UL Omnidirectional Sound Level @ 10' dB(A) per UL1480	Sound Level dB(A) @ 10' on axis
9 watt	99	104
15 watt	102	109
30 watt	105	112

Table 1. Power Tap Settings vx. Sound Output on Models AM302 and AM302GCX

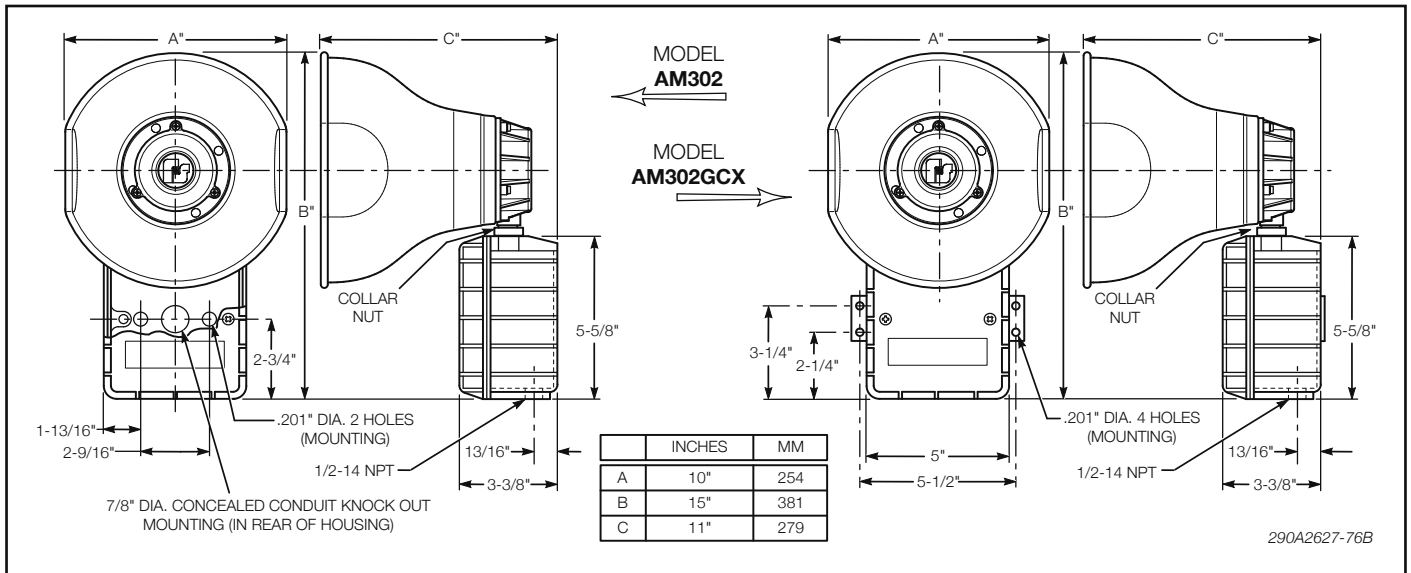


Figure 1. Models AM302 and AM302GCX Speaker Dimensions.

Property damage, serious injury, or death could occur if an accumulation of water, snow, dust, etc. resides in the speaker projector, severely reducing or preventing operation of this device. Mount the unit so speaker projector is pointed horizontally or slightly downward.

1. Flat Surface Mounting.

- a. Remove and retain the two screws that secure cover to housing. Remove the cover.



Property damage, serious injury, or death could occur if any objects are in front of speaker, severely reducing optimum sound distribution. For maximum effectiveness, ensure that the front of the speaker is clear of obstructions.

- b. Select the mounting location and place rear of housing against mounting surface.
- c. Using the mounting holes (two (2) inside the Model AM302's housing or four (4) in the AM302GCX's external mounting bracket) as a template, scribe drill position marks on the mounting surface. See figure 1 for mounting hole locations and dimensions.



Before drilling holes in any surface, ensure that both sides of surface are clear of items that could be damaged.

- d. Secure the unit to the mounting surface with #10 screws appropriate for the type of mounting surface material.



Property damage, serious injury or death could occur if the projector is mishandled during installation or over time. DO NOT rotate the projector more than 180 degrees or internal speaker wiring may be damaged.

- e. Reposition speaker projector if necessary to obtain desired sound coverage. Loosen collar nut (see figure 1) and move projector to desired position.

- f. Before reinstalling the housing cover, read paragraph 4 in section C, Electrical Connections, and make the necessary electrical connections.

2. Model AM302 Concealed Conduit Mounting.

- a. Remove and retain the two screws that secure cover to housing. Remove the cover.
- b. Remove the 7/8" knockout at rear of housing.
- c. Install the conduit connection.
- d. Select the mounting location and place rear of housing against mounting surface.
- e. Using the two (2) mounting holes as a template, scribe drill position marks on the mounting surface. See figure 1 for mounting hole locations and dimensions.



Before drilling holes in any surface, ensure that both sides of surface are clear of items that could be damaged.

- f. Secure the unit to the mounting surface with #10 screws appropriate for the type of mounting surface material.



Property damage, serious injury or death could occur if the projector is mishandled during installation or over time. DO NOT rotate the projector more than 180 degrees or internal speaker wiring may be damaged.

- g. Reposition speaker projector if necessary to obtain desired sound coverage. Loosen collar nut (see figure 1) and move projector to desired position.
- h. Before reinstalling the housing cover, read paragraph 4 in section C, Electrical Connections, and make the necessary electrical connections.

C. Electrical Connections.



To avoid electrical shock, do not connect wires when circuits are energized.

⚠ WARNING

Audio wires should be sized properly by your licensed installation electrician for your service application. This cable requires a twisted shielded pair with an 18AWG minimum and should produce no more than 15% signal loss over the length of the cable run.

National Electrical Code as well as local codes must be adhered to in installation of these models. All electrical wiring must be routed through approved conduit and fittings.

1. See figures 2 and 3. Connect the audio common (-) leads to the speaker's common terminal.
2. Refer to figures 2 and 3. Connect the audio positive (+) leads to the 25V or 70V terminal, depending on the external signal source voltage.
3. Create a 4-inch long jumper using 14 - 22 AWG wire. Connect one end of the jumper wire to the terminal marked with the desired wattage (see figure 3). Connect the other end to the terminal marked "SPK".

NOTE

Only three (3) of the five (5) wattage terminals marked on the terminal block are for use on the AM302 and AM302GCX. For proper operation, the speaker wire should be connected to one (1) of these terminals as indicated in figure 3. The remaining two (2) wattage terminals are not used.

4. Be sure the neoprene rubber cover gasket is properly seated in the housing groove and reinstall the housing cover.

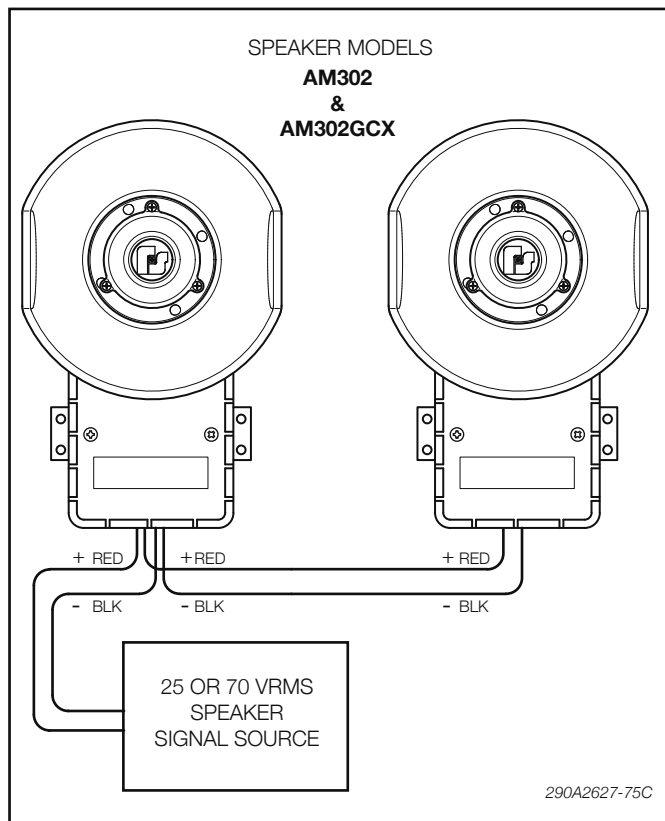


Figure 2. Typical Installation Wiring.

⚠ WARNING

Property damage, serious injury or death could occur if the housing is not closed properly. To reduce the possibility of explosion, the Model AM302GCX's housing cover must be kept tight while circuits are energized.

IV. TESTING/OPERATING.

⚠ WARNING

Under certain conditions these devices are capable of producing sounds loud enough to cause hearing damage. Adequate hearing protection should be worn if standing within close proximity to device while testing. Recommendations in the OSHA Sound Level Standard (29 CFR 1910) should not be exceeded.

- A. After installation is complete, be sure to test the system to verify that each speaker operates satisfactorily. If it is found that the unit is too loud for its location, a lower wattage tap may be selected. Carefully remove the housing cover and move the speaker internal yellow lead to a lower wattage tap (see Figure 3). Reinstall the housing cover and retest.

⚠ WARNING

Property damage, serious injury or death could occur if the housing is not closed properly. To reduce the possibility of explosion, the Model AM302GCX's housing cover must be kept tight while circuits are energized.

- B. After completion of initial system test, establish a program for periodic testing of this device. Refer to the authority having jurisdiction for this information.
- C. Provide a copy of these instructions for the Safety Engineer, system operator(s) and maintenance personnel.

⚠ SAFETY MESSAGE TO OPERATORS

Even if your warning system is operating properly, it may not be completely effective. People may not hear or heed your warning signal. You must recognize this fact and ensure that your warning signal achieves its intended effect through proper test/training sequences within your specific application(s).

V. MAINTENANCE.

⚠ SAFETY MESSAGE TO MAINTENANCE PERSONNEL

Failure to follow all safety precautions and instructions may result in property damage, serious injury, or death to you or others.

- Read and understand all instructions before performing maintenance on this unit.
- To reduce the risk of electrical shock, or ignition of hazardous atmospheres, do not perform maintenance or service on this unit when circuits are energized.
- Periodic checks should be made to ensure that effectiveness of this device has not been reduced because speaker has become clogged with a foreign substance or because objects have been placed in front of the speaker.
- Any maintenance to this unit MUST be performed by a trained electrician in accordance with NEC guidelines and local codes.

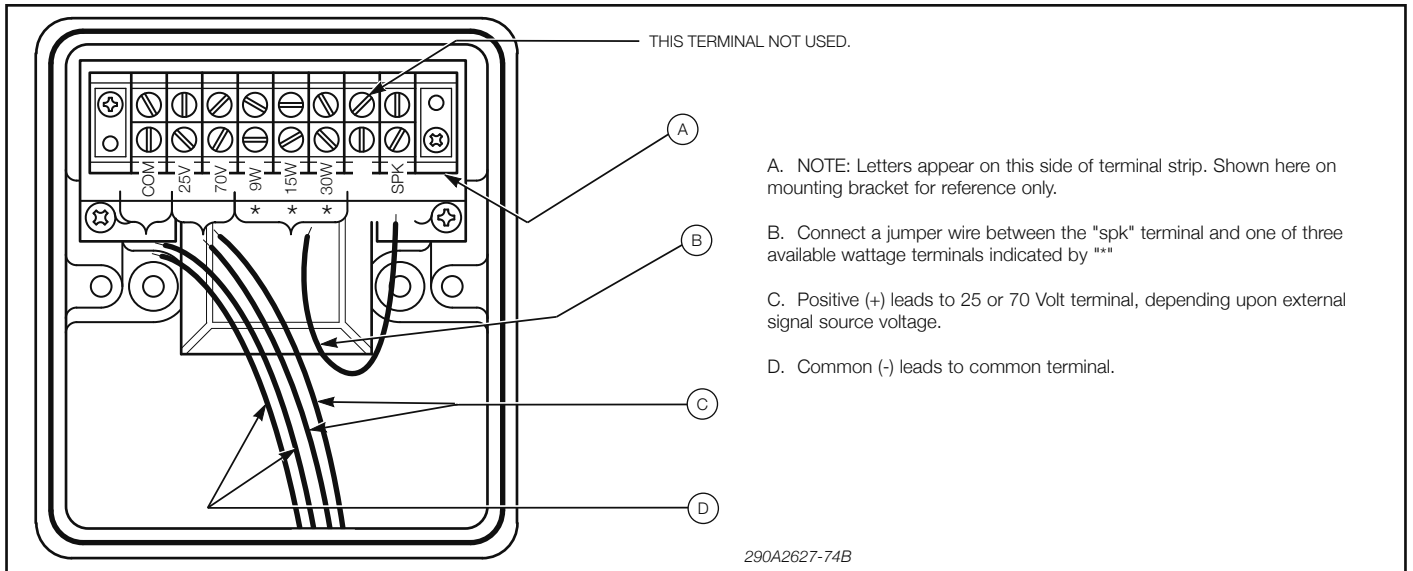


Figure 3. Internal Multi-tap Wiring Set-up.

- A. NOTE: Letters appear on this side of terminal strip. Shown here on mounting bracket for reference only.
- B. Connect a jumper wire between the "spk" terminal and one of three available wattage terminals indicated by "***"
- C. Positive (+) leads to 25 or 70 Volt terminal, depending upon external signal source voltage.
- D. Common (-) leads to common terminal.

290A2627-74B

- Never alter this unit in any manner. Safety in hazardous locations may be jeopardized if additional openings or alterations are made to Model AM302GCX.
 - The nameplates, which contain cautionary or other information of importance to maintenance personnel, should not be obscured if exterior of device is painted.
- A. Periodically check this device to verify that there are no foreign substances in, or in front of, the speaker which will reduce its effectiveness.
 - B. Testing should be periodically performed. Refer to the authority having jurisdiction for information.
 - C. In the event a volume adjustment or other repair is required, be sure to refer to the Safety Message For Maintenance Personnel before proceeding.

Federal Signal will service your equipment or provide technical assistance with any problems that cannot be handled locally. Any units returned to Federal Signal for service, inspection, or repair, must be accompanied by a Return Material Authorization. This R.M.A. can be obtained from the local Distributor or Manufacturer's Representative.

At this time a brief explanation of the service requested or the nature of the malfunction, should be given.

Address all communications and shipments to:

FEDERAL SIGNAL CORPORATION
 Industrial Systems
 Service Department
 2645 Federal Signal Drive
 University Park, IL 60484-3167

VI. SERVICE.

▲WARNING

Unauthorized repair/servicing of the unit may result in degradation of performance and/or property damage, serious injury, or death to you or others. If a malfunctioning unit is encountered, do not attempt any field repair/retrofit of parts.

▲WARNING

-EXPLOSION HAZARD-

Substitution of components may impair suitability for Class I, Division 2.

Do not replace transformer or capacitor unless power has been switched off or area is known to be non-hazardous.

CONSIGNES D'INSTALLATION POUR LE HAUT-PARLEUR AUDIOMASTER® MODÈLE AM302 et AM302GCX

AVERTISSEMENT

Le non-respect de l'ensemble des mesures et consignes de sécurité peut entraîner des dommages matériels, ou des blessures graves voire mortelles des personnes concernées ou d'autres personnes.

MESSAGE DE SÉCURITÉ DESTINÉ AUX INSTALLATEURS

L'installation de nos produits de manière sécurisée permet d'éviter la mise en danger de vies humaines. Il est important de respecter toutes les consignes jointes aux produits au moment de l'expédition. Cet appareil doit être installé par un électricien qualifié qui maîtrise parfaitement le Code national d'électricité et qui respectera les directives CNE ainsi que les codes locaux.

Le choix du lieu de montage du dispositif, de ses commandes et de l'acheminement des câbles doit être effectué sous la direction de l'ingénieur responsable des installations et de l'ingénieur responsable de la sécurité. Voici par ailleurs une liste complémentaire d'instructions et de précautions de sécurité importantes à respecter :

- Lire et comprendre toutes les instructions avant d'installer ou d'utiliser ce matériel.
- Cet appareil doit être installé par un électricien qualifié conformément aux codes d'électricité locaux et nationaux sous la direction de l'autorité ayant juridiction.
- Ne pas connecter cet appareil au système lorsqu'il est sous tension.
- Tous les haut-parleurs d'avertissement efficaces produisent des sons puissants, qui peuvent entraîner, dans certaines situations, une perte permanente de l'ouïe. Le dispositif doit être installé suffisamment loin des auditeurs potentiels afin de limiter l'exposition de ces derniers, tout en conservant son efficacité. Le Code des réglementations fédérales OSHA 1910.95 relatif à la Norme acoustique fournit des directives utiles concernant les niveaux permis d'exposition au bruit.
- Montrer ces instructions à l'ingénieur responsable de la sécurité avant de les ranger dans un endroit sûr. Consulter ces instructions lors de la maintenance et/ou de la réinstallation du dispositif.
- Après l'installation et la réalisation du test initial du système, un programme de tests périodiques de l'appareil doit être établi. Consulter l'autorité ayant juridiction pour obtenir des informations en la matière.
- Consulter l'autorité ayant juridiction dans votre région concernant une utilisation et une installation correctes de ce produit.

I. GÉNÉRALITÉS.

Les haut-parleurs AudioMaster modèles AM302 et AM302GCX sont des haut-parleurs 25 Veff et 70 Veff, homologués intérieur/extérieur, à sortie de puissance sélectionnable (9 à 30 watts), pour une utilisation avec des systèmes de signalisation d'intérêt général tels que le système SelecTone de Federal Signal. Ils sont conçus pour reproduire des tonalités d'avertissement générées de manière électronique, qui commandent une reconnaissance rapide des signaux d'urgence et peuvent reproduire une gamme complète de communications vocales. Ils conviennent pour une utilisation dans des zones présentant des niveaux de bruit ambiant élevés. Le cornet du haut-parleur est ajustable et peut être repositionné pour obtenir la répartition sonore désirée.

Le modèle AM302GCX peut être utilisé dans les zones dangereuses et non dangereuses de Classe I, Division 2, Groupes A, B, C, D ; de Classe II, Division 2, Groupes F et G ; et de Classe III.

II. SPÉCIFICATIONS.

Tension de fonctionnement	25 Veff ou 70 Veff
Entrée de puissance (sélectionnable)	9 W, 15 W et 30 W
Tension de supervision maximale	50 Veff
Poids (approx.)	3,2 kg (7 lb)
Dimensions	Hauteur 356 mm (14 po.), largeur 254 mm (10 po.), profondeur 279 mm (11 po.).
Construction	Enceinte d'aluminium peinte avec un revêtement de poudre électrostatique grise. Boîtier d'amplificateur scellé avec joint caoutchouc néoprène.

Les renseignements acoustiques sont présentés dans le tableau 1.

III. INSTALLATION.

A. DÉBALLAGE.

Après avoir déballé le haut-parleur, vérifier soigneusement s'il a été endommagé lors du transport. Si l'équipement a été endommagé, déposer immédiatement une réclamation auprès du transporteur, déclarant l'étendue des dommages. Examiner soigneusement les consignes particulières figurant sur toutes les étiquettes d'expédition et autres étiquettes avant de les retirer ou de les détruire.

B. Agencements de montage (voir Illustration 1).

PRECAUCIÓN

Pour maintenir la classification « zone dangereuse » du modèle AM302GCX, ne pas utiliser l'entrée défonçable de 22,2 mm (7/8 po.) (montage à conduit caché).

Le haut-parleur peut être monté sur toute surface relativement plate. La connexion du conduit peut être effectuée sur l'ouverture filetée de 12,7 mm (1/2 po.) dans la partie inférieure du boîtier ou sur l'entrée défonçable de 22,2 mm (7/8 po.) à l'arrière du boîtier. Une fois la méthode et l'emplacement de montage choisis, appliquer les consignes ci-après.

PRISE DE PUISSANCE	Niveau sonore omnidirectionnel UL à 3 m (10 pi.) db(A) d'après la norme UL1480	Niveau sonore dB(A) à 3 m dans l'axe (10 pi.)
9 watt	99	104
15 watt	102	109
30 watt	105	112

Tableau 1. Réglages Prise de puissance Émissions sonores des modèles AM302 et AM302GCX

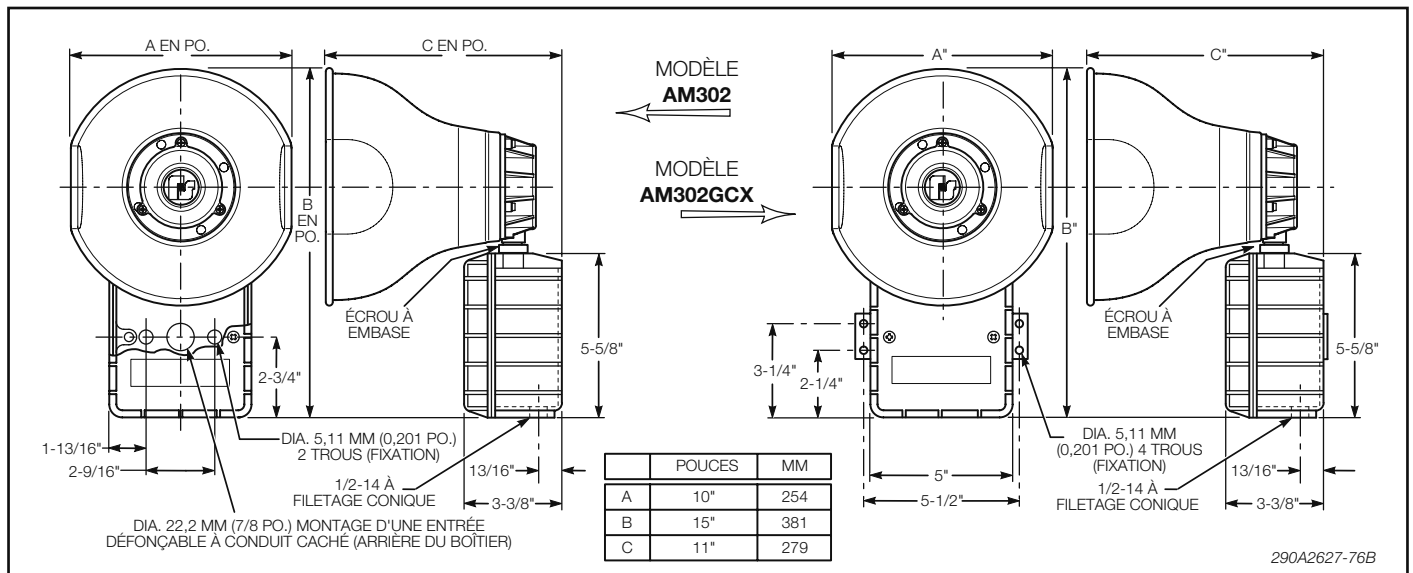


Illustration 1. Dimensions des haut-parleurs modèles AM302 et AM302GCX

⚠ AVERTISSEMENT

Des dommages matériels et des blessures graves voire mortelles peuvent être occasionnés par l'accumulation d'eau, de neige, de poussière etc. à l'intérieur du cornet du haut-parleur, ce qui peut sérieusement compromettre, voire empêcher, l'utilisation du dispositif. Monter le dispositif de sorte que le cornet du haut-parleur soit positionné à l'horizontale ou légèrement incliné vers le bas.

1. Montage sur surface plate.

- Retirer et conserver les deux vis qui sécurisent le couvercle sur l'enceinte. Retirer le couvercle.

⚠ AVERTISSEMENT

Des dommages matériels et des blessures graves voire mortelles peuvent être occasionnés par la présence d'objets devant le haut-parleur, ce qui peut sérieusement compromettre une diffusion optimale du son. Pour une efficacité maximale, s'assurer que l'avant du haut-parleur est bien dégagé.

- Sélectionner l'emplacement du montage et placer l'arrière de l'enceinte contre la surface de montage.
- À l'aide des trous de montage (deux (2) à l'intérieur de l'enceinte du modèle AM302 ou quatre (4) dans le support de montage externe de l'AM302GCX) comme gabarit, tracer des marques de repère sur la surface de montage pour le perçage. Se reporter à l'illustration 1 pour l'emplacement et les dimensions des trous de montage.

⚠ PRECAUCIÓN

Avant de percer des trous sur toute surface, s'assurer que les deux côtés de la surface sont exempts d'éléments pouvant être endommagés.

- Sécuriser l'appareil sur la surface de montage à l'aide de vis n° 10 adaptées au type de matériau de la surface de montage.

⚠ AVERTISSEMENT

Des dommages matériels et des blessures graves voire mortelles peuvent survenir si le cornet n'est pas manipulé correctement en cours d'installation ou dans le temps. NE PAS pivoter le cornet à plus de 180 degrés, car cela peut endommager le câblage du haut-parleur interne.

- Si nécessaire, repositionner le cornet du haut-parleur pour obtenir la couverture sonore désirée. Desserrer l'écrou à embase (voir Illustration 1) et déplacer le cornet jusqu'à la position désirée.
- Avant de réinstaller le couvercle de l'enceinte, lire le paragraphe 4 de la section C, Branchements électriques, et procéder aux raccordements électriques nécessaires.

2. Montage sur conduit caché modèle AM302.

- Retirer et conserver les deux vis qui sécurisent le couvercle sur l'enceinte. Retirer le couvercle.
- Retirer l'entrée défonçable de 22,2 mm (7/8 po.) à l'arrière du boîtier.
- Installer la connexion du conduit.
- Sélectionner l'emplacement du montage et placer l'arrière de l'enceinte contre la surface de montage.
- En utilisant les deux (2) trous de montage comme gabarit, tracer des marques de repère sur la surface de montage pour le perçage. Se reporter à l'illustration 1 pour l'emplacement et les dimensions des trous de montage.

⚠ PRECAUCIÓN

Avant de percer des trous sur toute surface, s'assurer que les deux côtés de la surface sont exempts d'éléments pouvant être endommagés.

- Sécuriser l'appareil sur la surface de montage à l'aide de vis n° 10 adaptées au type de matériau de la surface de montage.

⚠ AVERTISSEMENT

Des dommages matériels et des blessures graves voire mortelles peuvent survenir si le cornet n'est pas manipulé correctement en cours d'installation ou dans le temps. NE PAS pivoter le cornet à plus de 180 degrés, car cela peut endommager le câblage du haut-parleur interne.

- Si nécessaire, repositionner le cornet du haut-parleur pour obtenir la couverture sonore désirée. Desserrer l'écrou à embase (voir Illustration 1) et déplacer le cornet jusqu'à la position désirée.
- Avant de réinstaller le couvercle de l'enceinte, lire le paragraphe 4 de la section C, Branchements électriques, et procéder aux raccordements électriques nécessaires.

C. Branchements électriques.

⚠ AVERTISSEMENT

Afin d'éviter les risques de chocs électriques, ne pas brancher de fils tant que les circuits sont sous tension.

⚠ AVERTISSEMENT

Les câbles audio doivent être correctement dimensionnés par un électricien agréé pour l'entretien de vos installations. Ce câble requiert une paire torsadée blindée de 18 AWG minimum et la perte de signal ne doit pas dépasser 15 % sur la longueur du chemin de câble.

Le Code national d'électricité et les codes locaux doivent être respectés pendant l'installation de ces modèles. L'ensemble du câblage électrique doit être acheminé à travers des conduits et raccords approuvés.

1. Voir Illustrations 2 et 3. Connecter les fils audio communs (-) à la borne commune du haut-parleur.
2. Se reporter aux Illustrations 2 et 3. Connecter les fils audio positifs (+) à la borne 25 V ou 70 V selon la tension de source de signal externe.
3. Créer un cavalier de 101,6 mm (4 pouces) de long à l'aide d'un câble 14 - 22 AWG. Connecter une extrémité du câble du cavalier vers la borne portant le marquage de puissance souhaité (voir Illustration 3). Connecter l'autre extrémité à la borne marquée « HAUT-PARLEUR ».

REMARQUE

Seules trois (3) des cinq (5) bornes de puissance marquées sur le bornier peuvent être utilisées sur les modèles AM302 et AM302GCX. Pour un fonctionnement correct, le câble du haut-parleur doit être connecté à l'une (1) de ces bornes comme indiqué sur l'illustration 3. Les deux (2) bornes de puissance restantes ne sont pas utilisées.

4. S'assurer que le joint de couvercle en caoutchouc néoprène est bien encastré dans la rainure du boîtier et réinstaller le couvercle du boîtier.

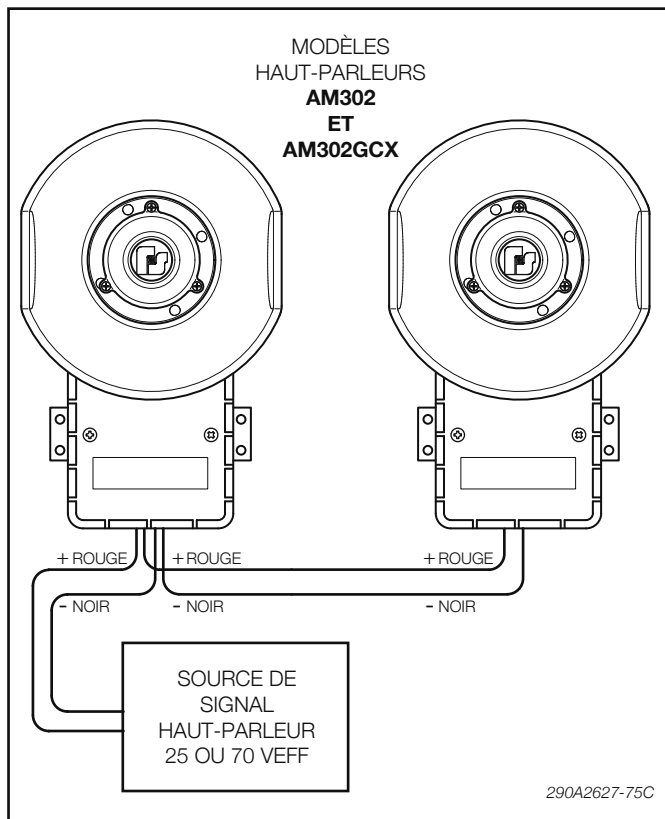


Illustration 2. Câblage d'une installation classique.

⚠ AVERTISSEMENT

Des dommages matériels et des blessures graves voire mortelles peuvent survenir si le boîtier n'est pas fermé de manière appropriée. Pour limiter le risque d'explosion, le couvercle du boîtier du modèle AM302GCX doit rester serré lorsque les circuits sont mis sous tension.

IV. TESTS/FONCTIONNEMENT.

⚠ AVERTISSEMENT

Dans certaines circonstances, ces appareils sont capables de produire des sons suffisamment puissants pour provoquer des lésions auditives. Il est recommandé de porter une protection acoustique appropriée à proximité de l'appareil en cours de tests. Ne pas dépasser les recommandations de la Norme OSHA sur le niveau sonore (29 CFR 1910).

- A. Une fois l'installation terminée, tester le système pour vérifier que chaque haut-parleur fonctionne de manière satisfaisante. Si le volume de l'appareil est jugé trop puissant pour son emplacement, une prise de puissance inférieure peut être sélectionnée. Retirer soigneusement le couvercle du boîtier et déplacer le fil jaune interne du haut-parleur vers une prise de puissance inférieure (voir Illustration 3). Réinstaller le couvercle du boîtier, et renouveler le test.

⚠ AVERTISSEMENT

Des dommages matériels et des blessures graves voire mortelles peuvent survenir si le boîtier n'est pas fermé de manière appropriée. Pour limiter le risque d'explosion, le couvercle du boîtier du modèle AM302GCX doit rester serré lorsque les circuits sont mis sous tension.

- B. Une fois le test initial du système réalisé, établir un programme de tests périodiques sur cet appareil. Consulter l'autorité ayant juridiction pour obtenir des informations en la matière.
- C. Fournir une copie de ce manuel d'instructions à l'ingénieur responsable de la sécurité, à l'(aux) opérateur(s) système et au personnel d'entretien.

⚠ MESSAGE DE SÉCURITÉ DESTINÉ AUX OPÉRATEURS

Même si votre système de signalisation fonctionne correctement, son efficacité n'est peut-être pas optimale. Les personnes concernées peuvent ne pas entendre ou prêter attention à votre signal d'avertissement. Vous devez en tenir compte et vous assurer que votre signal d'avertissement produise l'effet escompté par le biais de tests/sessions de formation appropriés dans le cadre de votre (vos) application(s) spécifique(s).

V. ENTRETIEN.

⚠ MESSAGE DE SÉCURITÉ DESTINÉ AU PERSONNEL D'ENTRETIEN

Le non-respect de l'ensemble des mesures et consignes de sécurité peut entraîner des dommages matériels, ou des blessures graves voire mortelles des personnes concernées ou d'autres personnes.

- Lire et comprendre toutes les instructions avant de procéder à une opération de maintenance sur cet appareil.
- Pour réduire le risque de choc électrique ou d'incendie dans des atmosphères dangereuses, ne pas réaliser d'opération de maintenance/entretien sur cet appareil lorsque les circuits sont sous tension.
- Des contrôles périodiques doivent être effectués pour vérifier que l'appareil n'a pas perdu de son efficacité du fait d'une obstruction du haut-parleur par des substances étrangères ou de la présence d'objets à l'avant du haut-parleur.
- Tout entretien de cet appareil DOIT être exécuté par un électricien formé conformément aux directives du CNE, ainsi qu'aux codes locaux.

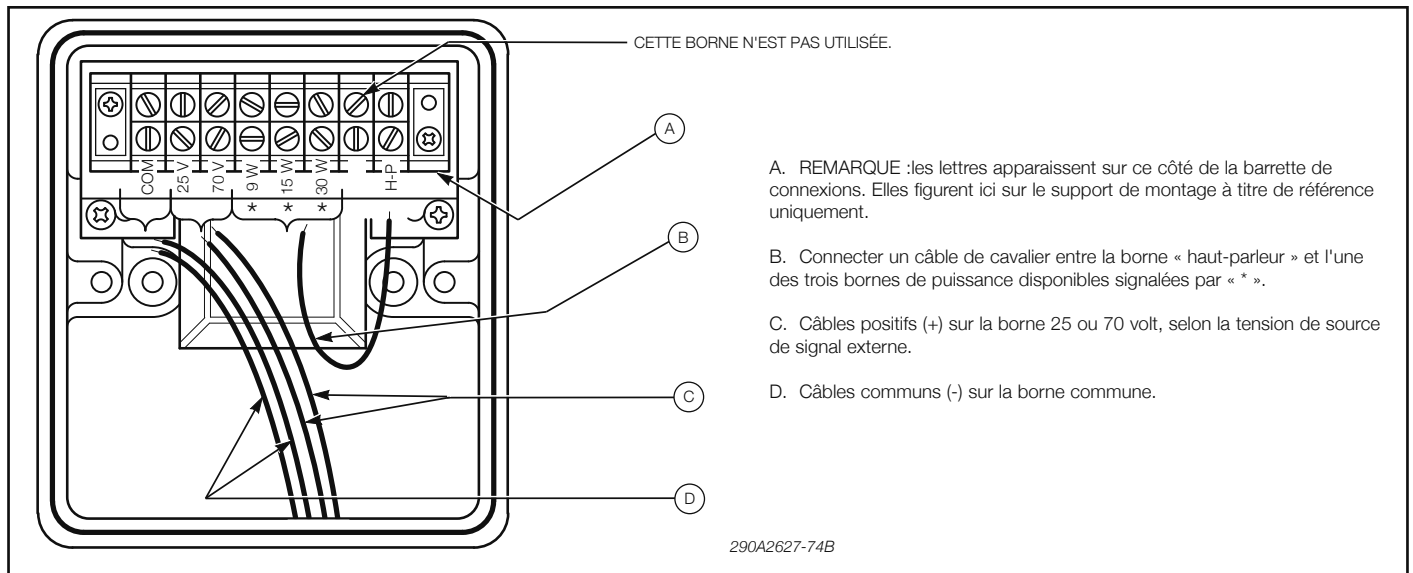


Illustration 3. Configuration du câblage multiprise interne.

- Ne jamais modifier cet appareil de quelque façon que ce soit. La sécurité dans les zones dangereuses peut être compromise si d'autres ouvertures sont ajoutées ou si d'autres modifications sont apportées au modèle AM302GCX.
- Les plaques signalétiques qui peuvent contenir des informations de mise en garde et autres informations importantes pour le personnel d'entretien ne doivent pas être obscurcies si l'extérieur du dispositif est peint.
 - A. Effectuer des contrôles périodiques pour vérifier l'absence de substances étrangères à l'intérieur ou devant le haut-parleur qui pourraient réduire son efficacité.
 - B. Des tests doivent être réalisés de manière périodique. Consulter l'autorité ayant juridiction pour obtenir des informations.
 - C. Si un réglage du volume ou toute autre réparation est nécessaire, se référer au message de sécurité destiné au personnel d'entretien avant de continuer.

L'usine de Federal Signal Corporation procédera à l'entretien de votre équipement ou vous fournira une assistance technique pour tout problème qui ne peut être résolu sur place.

Tous les appareils retournés à Federal Signal pour entretien, inspection ou réparation doivent être accompagnés d'une autorisation de retour du produit. Vous pouvez obtenir cette autorisation auprès du distributeur local ou d'un représentant du fabricant.

Vous devez aussi fournir une brève explication du service requis ou de la nature du dysfonctionnement lors de la restitution de l'appareil.

Adresse pour les communications et les expéditions :

FEDERAL SIGNAL CORPORATION
 Industrial Systems
 Service Department
 2645 Federal Signal Drive
 University Park, IL 60484-3167

VI. ENTRETIEN.

⚠ AVERTISSEMENT

Une réparation ou un dépannage non autorisés de cet appareil pourraient entraîner une dégradation de la performance et/ou des dommages matériels et des blessures graves voire mortelles des personnes concernées ou d'autres personnes. Si un appareil présente un dysfonctionnement, ne pas tenter de réparation sur place ni de remplacer les pièces.

⚠ AVERTISSEMENT

-RISQUE D'EXPLOSION-

La substitution de composants pourrait réduire la compatibilité avec la classe 1, division 2.

Ne pas remplacer le transformateur ou le condensateur à moins que l'alimentation électrique ait été coupée ou que la zone soit reconnue comme non-dangereuse.

INSTRUCCIONES DE INSTALACIÓN PARA EL ALTAVOZ MODELOS AM302 y AM302GCX AUDIOMASTER®

⚠ ADVERTENCIA

Si todas estas precauciones de seguridad e instrucciones no se observan, pueden ocasionarse daños a los bienes, lesiones graves o incluso la muerte a usted o a los demás.

⚠ MENSAJE DE SEGURIDAD PARA LOS INSTALADORES

Las vidas de las personas dependen de su instalación segura de nuestros productos. Es importante seguir todas las instrucciones enviadas con los productos. Este dispositivo debe ser instalado por un electricista capacitado completamente familiarizado con el Código Eléctrico Nacional y que siga los lineamientos NEC y todos los códigos locales.

La selección de la ubicación de montaje del dispositivo, sus controles y la colocación del cableado deben realizarse bajo la dirección del ingeniero de la planta y del ingeniero de seguridad. Asimismo, a continuación se incluyen algunas instrucciones y precauciones importantes de seguridad que debe seguir:

- Lea y comprenda todas las instrucciones antes de instalar y poner en funcionamiento este equipo.
- Esta unidad debe ser instalada por un electricista calificado de acuerdo con el Código Eléctrico Nacional y los códigos locales, bajo la dirección de la autoridad con jurisdicción.
- No conecte esta unidad al sistema cuando esté encendido.
- Todos los altavoces de advertencia efectiva producen sonidos fuertes que pueden ocasionar, en ciertas situaciones, la pérdida permanente de la audición. Debe tomar las precauciones apropiadas, tales como usar protección auditiva.
- Después de la instalación, pruebe el sistema de sonido asegurarse de que funcione correctamente.
- Todos los altavoces de advertencia efectiva producen sonidos fuertes que pueden ocasionar, en ciertas situaciones, la pérdida permanente de la audición. El dispositivo debe ser instalado a una distancia suficiente de las personas que potencialmente puedan escucharlo para limitar su exposición y al mismo tiempo mantener su efectividad. La Norma sobre Ruidos del Código de Reglamentaciones Federales 1910.95 de la Administración de Seguridad y Salud Ocupacional proporciona lineamientos que pueden usarse con respecto a los niveles permitidos de exposición al ruido.
- Muestre estas instrucciones a su ingeniero de seguridad y luego consérvelas en un lugar seguro y consúltelas al realizar tareas de mantenimiento o al volver a instalar la unidad.
- Después de la instalación y la finalización de la prueba inicial del sistema, debe establecerse un programa para realizar pruebas periódicas de este dispositivo. Consulte con la autoridad con jurisdicción para obtener esta información.
- Consulte con la autoridad con jurisdicción en su área con respecto al uso e instalación adecuados de este producto.

I. GENERAL.

El Modelo AM302 y AM302GCX AudioMaster es un altavoz de 25 Vrms y 70 Vrms, para uso en interiores y exteriores, con salida de potencia seleccionable (9 a 30 vatios), diseñado para su utilización con sistemas generales de señalización, tales como el sistema SelecTone de Federal Signal. Están diseñados para reproducir tonos de advertencia generados electrónicamente, con reconocimiento rápido de comandos y una comunicación por voz de rango completo. Son adecuados para usar en áreas con altos niveles de ruido ambiente. El proyector del altavoz es ajustable y puede reubicarse para obtener la distribución deseada del sonido.

El AM302GCX es adecuado para su uso en Clase I, División 2, Grupos A, B, C y D; Clase II, División 2, Grupos F y G; Clase III, ubicaciones peligrosas y no peligrosas.

II. ESPECIFICACIONES.

Voltaje de operación	25 Vrms o 70 Vrms
Entrada de corriente (seleccionable)	9 W, 15 W y 30 W
Voltaje máximo de supervisión	50 VCC
Peso (aprox.)	3,2 kg (7 lb)
Tamaño	356 mm (14") de alto, 254 mm (10") de ancho, 279 mm (11") de profundidad.
Construcción	Unidad de aluminio pintada con recubrimiento en polvo electrostático gris. Carcasa del amplificador sellada con junta de caucho de neopreno.

La información de audibilidad se muestra en la tabla 1.

III. INSTALACIÓN.

A. Desembalaje.

Después de desembalar el altavoz, examínelo cuidadosamente para detectar posibles daños que puedan haber ocurrido durante el tránsito. Si el equipo ha sido dañado, presente un reclamo de inmediato a la compañía de transporte indicando la medida del daño. Con cuidado, inspeccione todas las etiquetas de envío y los rótulos para ver las instrucciones especiales antes de retirarlas o destruirlas.

B. Disposición de montaje (vea la figura 1).

⚠ PRECAUCIÓN

Para mantener la clasificación de ubicación peligrosa del Modelo AM302GCX, no use el orificio precortado de 7/8" (montaje de conducto oculto).

El altavoz puede montarse en una superficie relativamente plana. La conexión del conducto puede hacerse en una abertura roscada de 1/2" en la parte inferior de la carcasa o un orificio precortado de 7/8" en la parte posterior de la carcasa. Una vez que se ha seleccionado la ubicación de montaje y el método de montaje, continúe con las instrucciones correspondientes a continuación.

⚠ ADVERTENCIA

TERMINAL DE CORRIENTE	Nivel de sonido omnidireccional UL a 10' dB(A) según UL1480	Nivel de sonido dB(A) a 10' en el eje
9 vatios	99	104
15 vatios	102	109
30 vatios	105	112

Tabla 1. Configuración de terminales de corriente eléctrica en comparación con salida de sonido en los Modelos AM302 y AM302GCX

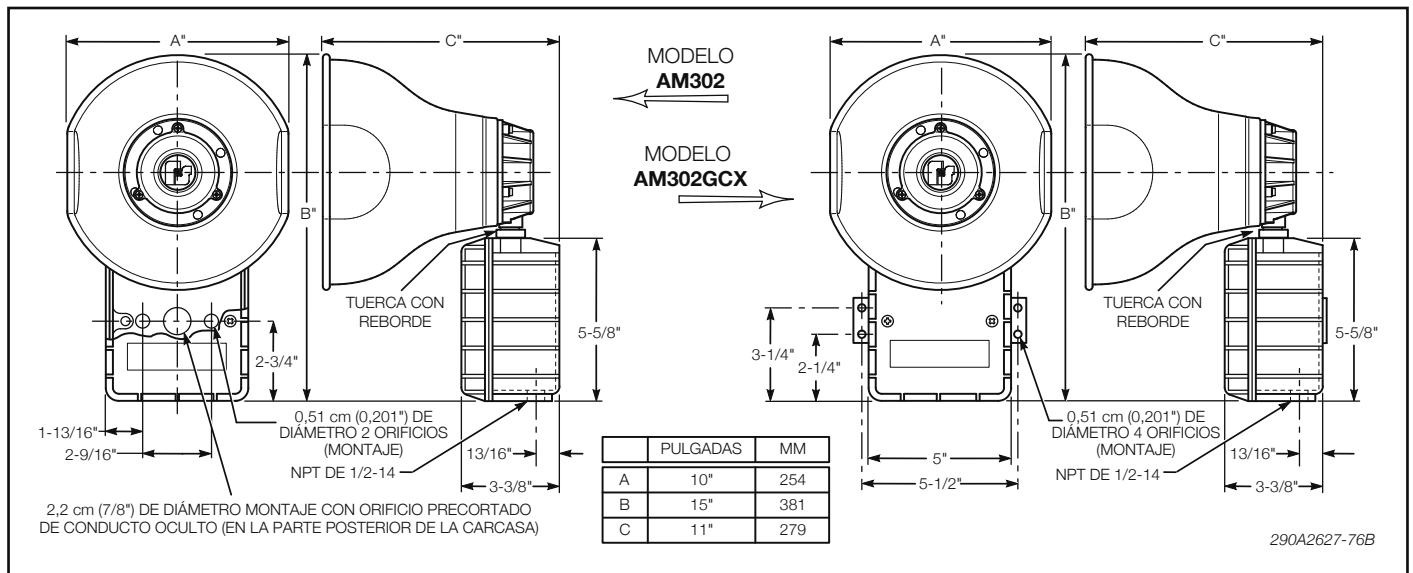


Figura 1. Dimensiones del altavoz Modelos AM302 y AM302GCX.

Podrían ocurrir daños a los bienes, lesiones serias o la muerte si se produce una acumulación de agua, nieve, polvo, etc., en el proyector del altavoz, reduciendo gravemente o impidiendo el funcionamiento de este dispositivo. Monte la unidad de forma tal que el proyector del altavoz señale horizontalmente o levemente hacia abajo.

1. Montaje en superficie plana.

- Retire y conserve los dos tornillos que sujetan la cubierta a la carcasa. Retire la cubierta.

⚠️ ADVERTENCIA

Podrían ocurrir daños a los bienes, lesiones serias o la muerte si hay objetos delante del altavoz que reduzcan gravemente la distribución óptima del sonido. Para una máxima efectividad, asegúrese de que la parte delantera del altavoz no tenga obstrucciones.

- Seleccione la ubicación de montaje y coloque la parte posterior de la carcasa contra la superficie de montaje.
- Usando los orificios de montaje (dos (2) dentro de la carcasa del Modelo AM302 o cuatro (4) en el soporte de montaje externo del AM302GCX) como plantilla, dibuje marcas de posición de perforación en la superficie de montaje. Vea la figura 1 para conocer las ubicaciones y dimensiones de los orificios de montaje.

⚠️ PRECAUCIÓN

Antes de perforar orificios en la superficie, asegúrese de que ambos lados de la superficie no tengan elementos que puedan dañarse.

- Sujete la unidad a la superficie de montaje con tornillos N.º 10 apropiados para el tipo de material de la superficie de montaje.

⚠️ ADVERTENCIA

Podrían producirse daños a los bienes, lesiones serias o la muerte si el proyector se manipula incorrectamente durante la instalación o en otro momento. NO rote el proyector más de 180 grados o el cableado interno del altavoz puede dañarse.

- Reubique el proyector del altavoz de ser necesario para obtener la cobertura deseada de sonido. Afloje la tuerca con reborde (vea la figura 1) y mueva el proyector a la posición deseada.

- Antes de instalar la cubierta de la carcasa, lea el párrafo 4 en la sección C, Conexiones eléctricas, y realice las conexiones eléctricas necesarias.

2. Montaje de conducto oculto del Modelo AM302.

- Retire y conserve los dos tornillos que sujetan la cubierta a la carcasa. Retire la cubierta.
- Retire el orificio precortado de 7/8" en la parte posterior de la carcasa.
- Instale la conexión del conducto.
- Seleccione la ubicación de montaje y coloque la parte posterior de la carcasa contra la superficie de montaje.
- Usando los dos (2) orificios de montaje como plantilla, dibuje la posición de perforación en la superficie de montaje. Vea la figura 1 para conocer las ubicaciones y dimensiones de los orificios de montaje.

⚠️ PRECAUCIÓN

Antes de perforar orificios en la superficie, asegúrese de que ambos lados de la superficie no tengan elementos que puedan dañarse.

- Sujete la unidad a la superficie de montaje con tornillos N.º 10 apropiados para el tipo de material de la superficie de montaje.

⚠️ ADVERTENCIA

Podrían producirse daños a los bienes, lesiones serias o la muerte si el proyector se manipula incorrectamente durante la instalación o en otro momento. NO rote el proyector más de 180 grados o el cableado interno del altavoz puede dañarse.

- Reubique el proyector del altavoz de ser necesario para obtener la cobertura deseada de sonido. Afloje la tuerca con reborde (vea la figura 1) y mueva el proyector a la posición deseada.
- Antes de instalar la cubierta de la carcasa, lea el párrafo 4 en la sección C, Conexiones eléctricas, y realice las conexiones eléctricas necesarias.

C. Conexiones eléctricas.

⚠️ ADVERTENCIA

Para evitar una descarga eléctrica, no conecte los cables cuando los circuitos estén energizados.

⚠️ ADVERTENCIA

Los cables de audio deben tener un tamaño adecuado conforme a las indicaciones del electricista de instalación matriculado para su aplicación de servicio. Este cable requiere un par trenzado blindado con un mínimo de 18 AWG y debe producir una pérdida de señal de no más del 15 % en la longitud del cable.

Debe observarse el Código Eléctrico Nacional y los códigos locales para la instalación de estos modelos. Todos los cables eléctricos deben tenderse por conductos y accesorios aprobados.

1. Vea las figuras 2 y 3. Conecte los cables comunes de audio (-) al terminal común del altavoz.
2. Consulte las figuras 2 y 3. Conecte los cables positivos (+) de audio al terminal de 25 V o 70 V, según el voltaje de la fuente de señal externa.
3. Cree un puente de 10,1 cm (4 in) de largo usando un cable de 14-22 AWG. Conecte un extremo del cable de puente al terminal marcado con el voltaje deseado (vea la figura 3). Conecte el otro extremo al terminal marcado "SPK".

NOTA

Solo tres (3) de los cinco (5) terminales de vataje marcados en el bloque terminal son para usar con el AM302 y el AM302GCX. Para un funcionamiento correcto, el cable del altavoz debe conectarse a uno (1) de estos terminales como se indica en la figura 3. No se usan los otros dos (2) terminales de vataje.

4. Asegúrese de que la junta de caucho de neopreno de la cubierta se asiente correctamente en la ranura de la carcasa y vuelva a colocar la cubierta de la carcasa.

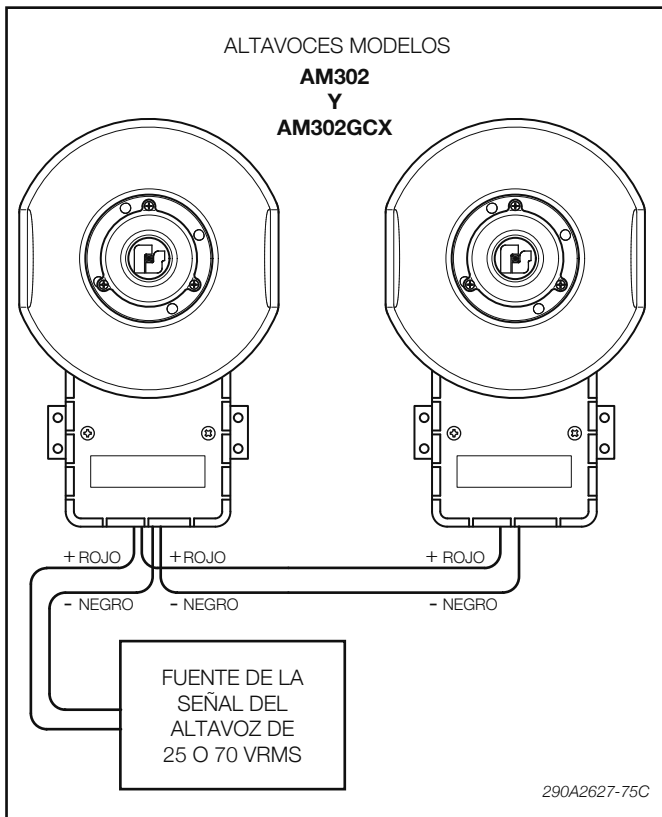


Figura 2. Cableado de instalación típica.

⚠️ ADVERTENCIA

Podrían producirse daños a los bienes, lesiones graves o la muerte si la carcasa no se cierra correctamente. Para reducir la posibilidad de explosión, la cubierta de la carcasa del Modelo AM302GCX debe mantenerse ajustada mientras los circuitos estén energizados.

IV. PRUEBAS/OPERACIÓN.

⚠️ ADVERTENCIA

En ciertas condiciones, estos dispositivos pueden producir sonidos lo suficientemente altos como para producir daños a la audición. Debe usarse la protección auditiva adecuada en caso de permanecer cerca del dispositivo al realizar las pruebas. No deben excederse las recomendaciones de la Norma de Nivel de Sonido de la Administración de Seguridad y Salud Ocupacional (29 CFR 1910).

- A. Una vez que se haya completado la instalación, asegúrese de probar el sistema para verificar que cada altavoz opere satisfactoriamente. Si se determina que el sonido de la unidad está demasiado alto para su ubicación, debe seleccionarse un terminal de vataje menor. Retire con cuidado la cubierta de la carcasa y mueva el cable amarillo interno del altavoz a un terminal de vataje menor (vea la Figura 3). Vuelva a colocar la cubierta de la carcasa y vuelva a probar.

⚠️ ADVERTENCIA

Podrían producirse daños a los bienes, lesiones graves o la muerte si la carcasa no se cierra correctamente. Para reducir la posibilidad de explosión, la cubierta de la carcasa del Modelo AM302GCX debe mantenerse ajustada mientras los circuitos estén energizados.

- B. Después de completar la prueba inicial del sistema, establezca un programa de pruebas periódicas de este dispositivo. Consulte con la autoridad con jurisdicción para obtener esta información.
- C. Entregue una copia de estas instrucciones al ingeniero de seguridad, al (los) operador(es) del sistema y al personal de mantenimiento.

⚠️ MENSAJE DE SEGURIDAD A LOS OPERADORES

Aunque su sistema de advertencia funcione correctamente, es posible que no sea completamente efectivo. Las personas pueden no escuchar o no notar su señal de advertencia. Debe reconocerse este hecho y asegurarse de que su señal de advertencia logre su efecto deseado a través de secuencias adecuadas de pruebas/capacitación dentro de su(s) aplicación (aplicaciones) específica(s).

V. MANTENIMIENTO.

⚠️ MENSAJE DE SEGURIDAD AL PERSONAL DE MANTENIMIENTO

Si todas estas precauciones de seguridad e instrucciones no se observan, pueden ocasionarse daños a los bienes, lesiones graves o incluso la muerte a usted o a los demás.

- Lea y comprenda todas las instrucciones antes de realizar tareas de mantenimiento en esta unidad.
- Para reducir el riesgo de descarga eléctrica o la ignición de atmósferas peligrosas, no realice tareas de mantenimiento o servicio en esta unidad cuando los circuitos estén energizados.
- Deben realizarse comprobaciones periódicas para asegurar que la efectividad de este dispositivo no se haya visto reducida debido a una obstrucción en el altavoz con una sustancia extraña o porque se hayan colocado objetos delante del altavoz.
- Todo mantenimiento de esta unidad DEBE ser realizado por un electricista capacitado de acuerdo con los lineamientos NEC y con los códigos locales.

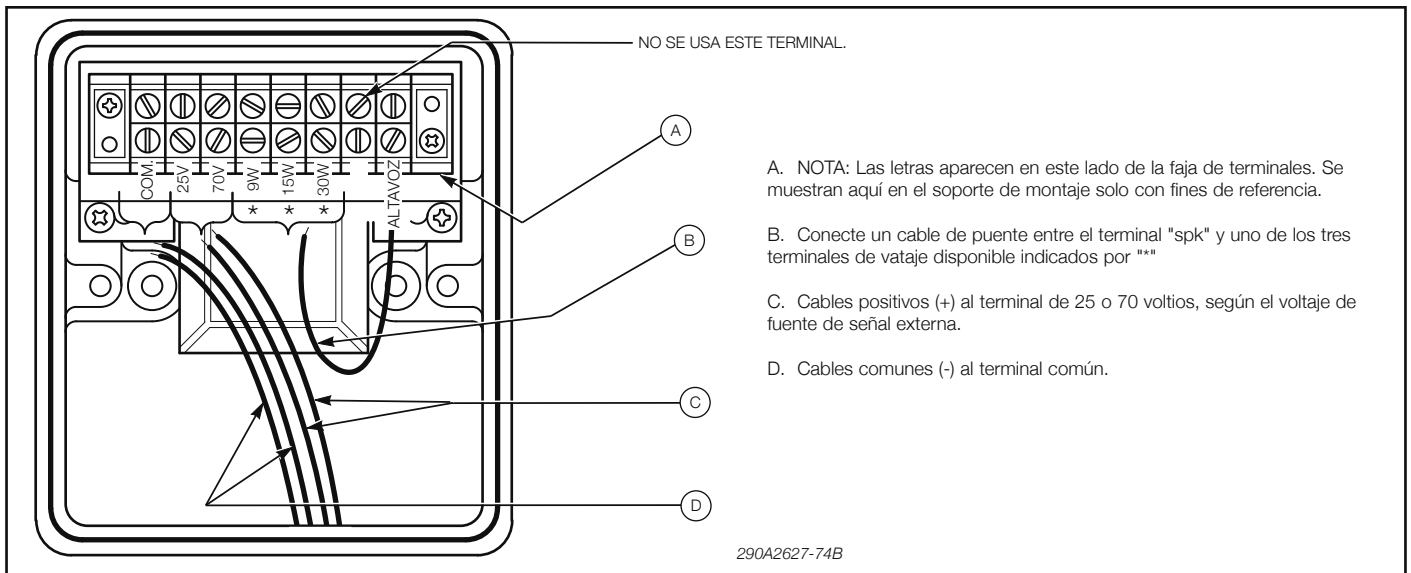


Figura 3. Configuración de cableado interno de terminales múltiples.

- No altere nunca esta unidad de ninguna forma. La seguridad en ubicaciones peligrosas puede verse reducida si se realizan aberturas adicionales o alteraciones al Modelo AM302GCX.
- La placa de identificación, que puede contener información de precaución u otra información de importancia para el personal de mantenimiento, no debe quedar oculta si se pinta el exterior del dispositivo.
 - A. Compruebe periódicamente este dispositivo para verificar que no haya sustancias extrañas delante del altavoz que puedan reducir su efectividad.
 - B. Deben realizarse pruebas periódicas. Consulte con la autoridad con jurisdicción para obtener esta información.
 - C. En caso de que se requiera un ajuste de volumen u otra reparación, consulte el Mensaje de seguridad para el personal de mantenimiento antes de continuar.

Federal Signal realizará las tareas de servicio de sus equipos o proporcionará asistencia técnica con los problemas que no se puedan manejar a nivel local.

Las unidades devueltas a Federal Signal para servicio, inspección o reparación deben acompañarse de una Autorización de devolución de material. Esta autorización de devolución de material puede obtenerse de un distribuidor local o de un representante del fabricante.

En este momento, debe proporcionarse una breve explicación del servicio solicitado o de la naturaleza de la falla.

Dirija las comunicaciones y envíos a:

FEDERAL SIGNAL CORPORATION
 Industrial Systems
 2645 Federal Signal Drive
 University Park, IL 60484-3167

VI. SERVICIO.

⚠ ADVERTENCIA

La reparación/el servicio no autorizado de la unidad puede resultar en la degradación del rendimiento y/o en daños a los bienes, lesiones graves o muerte para usted u otras personas. Si se produce una falla de la unidad, no intente reparaciones en el campo/remodelación de las piezas.

⚠ ADVERTENCIA

-RIESGO DE EXPLOSIÓN-

El reemplazo de componentes puede perjudicar la idoneidad para Clase I, División 2.

No reemplace el transformador o capacitor a menos que se haya desconectado la corriente o el área no sea peligrosa.