



► Model FB24ST
Fireball® Supervised Strobe Light



Federal Signal's Fireball® Supervised Light is an economical solution to a wide variety of stationary requirements.

Model FB24ST features a voltage in-rush limiting PCB design that provides greater compatibility with control systems and less electrical interference with in-rush sensitive devices. Model FB24ST contains a supervisory diode and four wire leads, for use in fire alarm applications

Fireball Supervised Strobe is a very low-maintenance warning light for industrial applications where a vibration-resistant light is required to signal an emergency or process status.

F E A T U R E S

- Available in 24VDC
- Four wires and supervisory diode
- Five dome colors: Amber, Blue, Clear, Green and Red
- 10,000 hour strobe tube
- Integrated 1/2-inch NPT pipe and surface mount
- Black epoxy coating for superior corrosion resistance
- 1,000,000 peak candela (300 effective)
- Conformal coated PCBA
- Type 4X, IP66 enclosure
- IP69K compliant
- CSFM Approved
- UL and cUL Listed

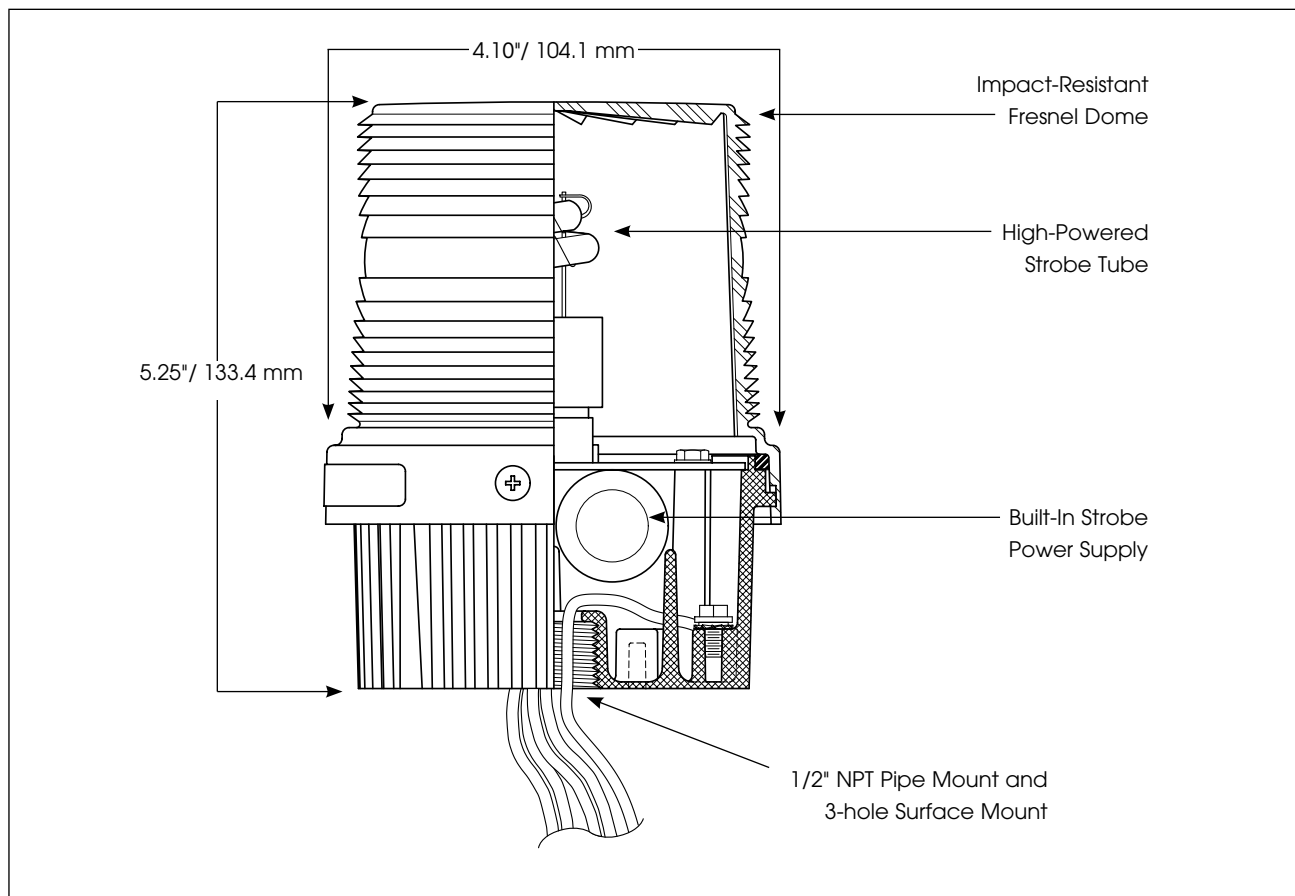
MODEL	VOLTAGE	OPERATING CURRENT	FLASH RATE/ MINUTE	CANDELA PEAK ¹	ECP ²	MOUNT
FB24ST-024 *	24VDC	0.7 amps (2.0 amp, in-rush)	80	1,000,000	300	1/2" NPT Pipe/Surface

* Indicates color: (A) Amber, (B) Blue, (C) Clear, (G) Green or (R) Red

¹ Peak candela is the maximum light intensity generated by a flashing light during its light pulse

² ECP (Effective Candela) is the intensity that would appear to an observer if the light were burning steadily

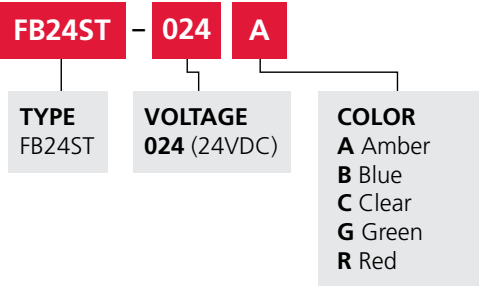
Fireball® Supervised Strobe Light (FB24ST)



SPECIFICATIONS

Lamp Life:	10,000 Hours	
Lamp Source:	Strobe	
Operating Temperature:	-31°F to 150°F	-35°C to 66°C
Net Weight:	1.45 lbs	0.7 kg
Shipping Weight:	1.7 lbs	0.8 kg
Height:	5.25"	133.4 mm
Diameter:	4.10"	104.1 mm

HOW TO ORDER



REPLACEMENT PARTS

Description	Part Number
Dome, Amber	K8550320A
Dome, Blue	K8550320A-01
Dome, Clear	K8550320A-02
Dome, Green	K8550320A-03
Dome, Red	K8550320A-04
Strobe Tube, Series A4, A5, B	K8107177A

OPTIONAL ACCESSORIES

Description	Part Number
Wire Guard	FB2G
Wall Mount Bracket, 4X Rated	LSWB
Corner Mount Bracket, 3R Rated	LCMB2*

* LCMB2 is 3R Rated. In combination with a 4X unit, the product defaults to 3R.



FB2G