



► Model eSiren

Electronic Siren

Model eSiren is an economical electronic siren capable of producing two high decibel siren tone outputs from the same unit by featuring internal amplification and patent pending tone generating circuitry.

The Type 4X, IP66 housing is molded from glass reinforced polycarbonate plastic, making it resistant to ultra-violet light and ideal for indoor or outdoor use.

Model eSiren can be used as a stand-alone, high output, audible warning device in any application where voice paging is not required.

Typical applications include emergency warning, start and dismissal, general alarm and evacuation.

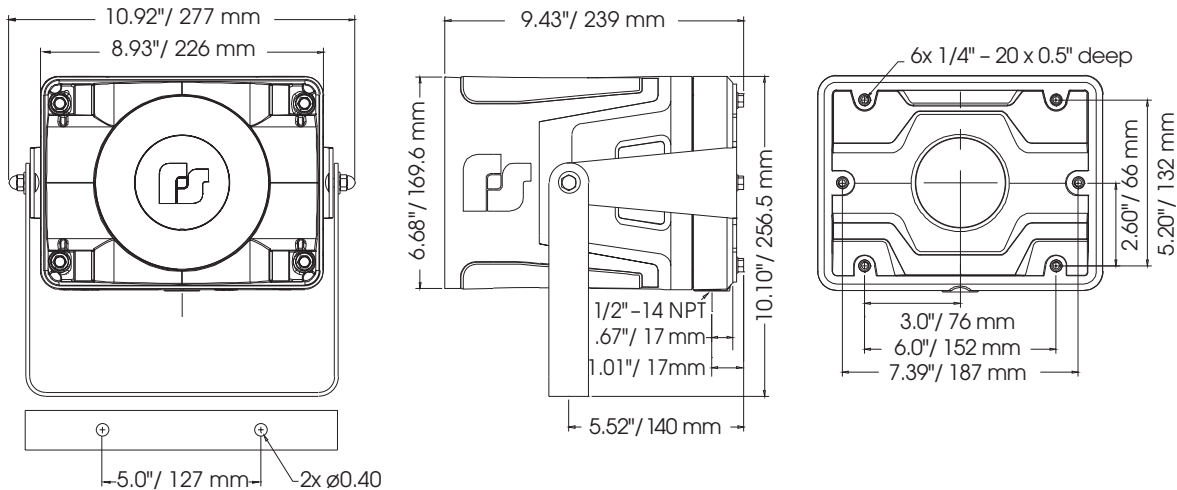
FEATURES

- Multi-voltage design accepts 120 or 240VAC
- Produces one of two tones at three SPL (sound pressure levels)
- Replicates Federal Signal Model A & Model L siren tones
- U-bracket or internal surface mount standard
- Produces 104 - 115 dBa @ 10' (114 - 125 dBa @ 1m) depending on tone selected
- Type 4X, IP66 enclosure
- UL and cUL Listed, Marine Rated

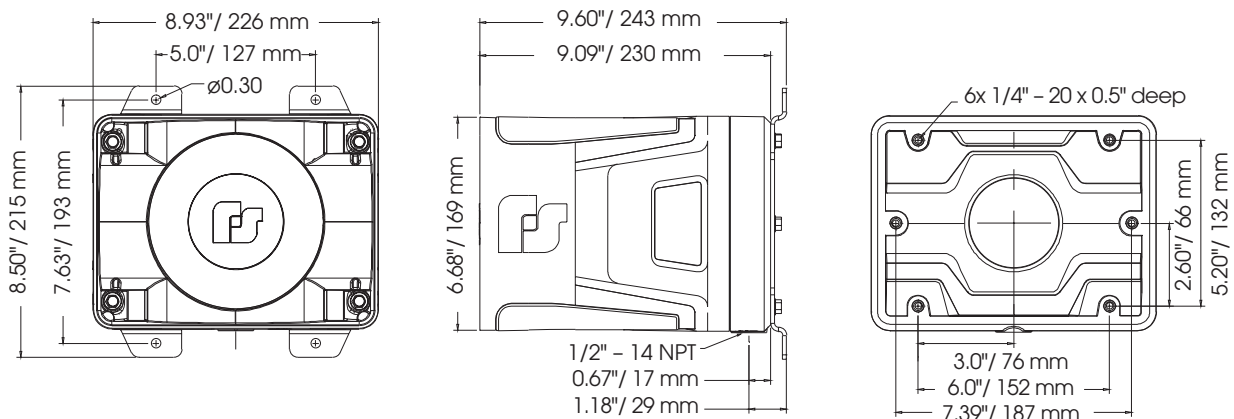
MODEL	VOLTAGE	A SIREN			L SIREN		
		OPERATING CURRENT	DECIBELS 10'	1M	OPERATING CURRENT	DECIBELS 10'	1M
eSiren-120-240	120VAC	0.22 - 0.50A	105 - 115	115 - 125	.024 - 0.53A	104 - 113	114 - 123
eSiren-120-240	240VAC	0.14 - 0.27A	105 - 115	115 - 125	0.15 - 0.26A	104 - 113	114 - 123

Electronic Siren (eSiren)

U-Bracket Mounting



External Surface Mount Kit Accessory



SPECIFICATIONS

Operating Temperature:	-40°F to 150°F	-40°C to 66°C
Shipping Weight:	17.2 lbs	7.8 kg
Net Weight:	15.1 lbs	6.8 kg
Height:	10.10"	256.5 mm
Width:	10.92"	277.3 mm
Depth:	9.43"	239.5 mm

HOW TO ORDER

ESIREN	-	120-240
TYPE		VOLTAGE
ESIREN		120-240 (120-240VAC)

OPTIONAL ACCESSORIES

Description	Part Number
External Surface Mount Bracket Kit	ESIREN-SKIT

