



► Model BPL26L

Battery Powered LED Warning Light

Federal Signal's Model BPL26L is a portable, battery-powered LED warning light which flashes 50 times per minute. Its components are moisture-proof and reverse polarity protected to ensure extended battery life and trouble-free performance.

The BPL26L dome is made of impact-resistant polycarbonate and the base is constructed from a high-density polyethylene. A flexible rubber seal covers the on/off switch to protect it from the elements. Two magnetic pads are included for simple, yet secure, temporary mounting. Power is supplied by two standard 6VDC, spring terminal lantern batteries (not included).

The Model BPL26L is ideal for job sites requiring temporary warning lights or for any location where primary power is unavailable.

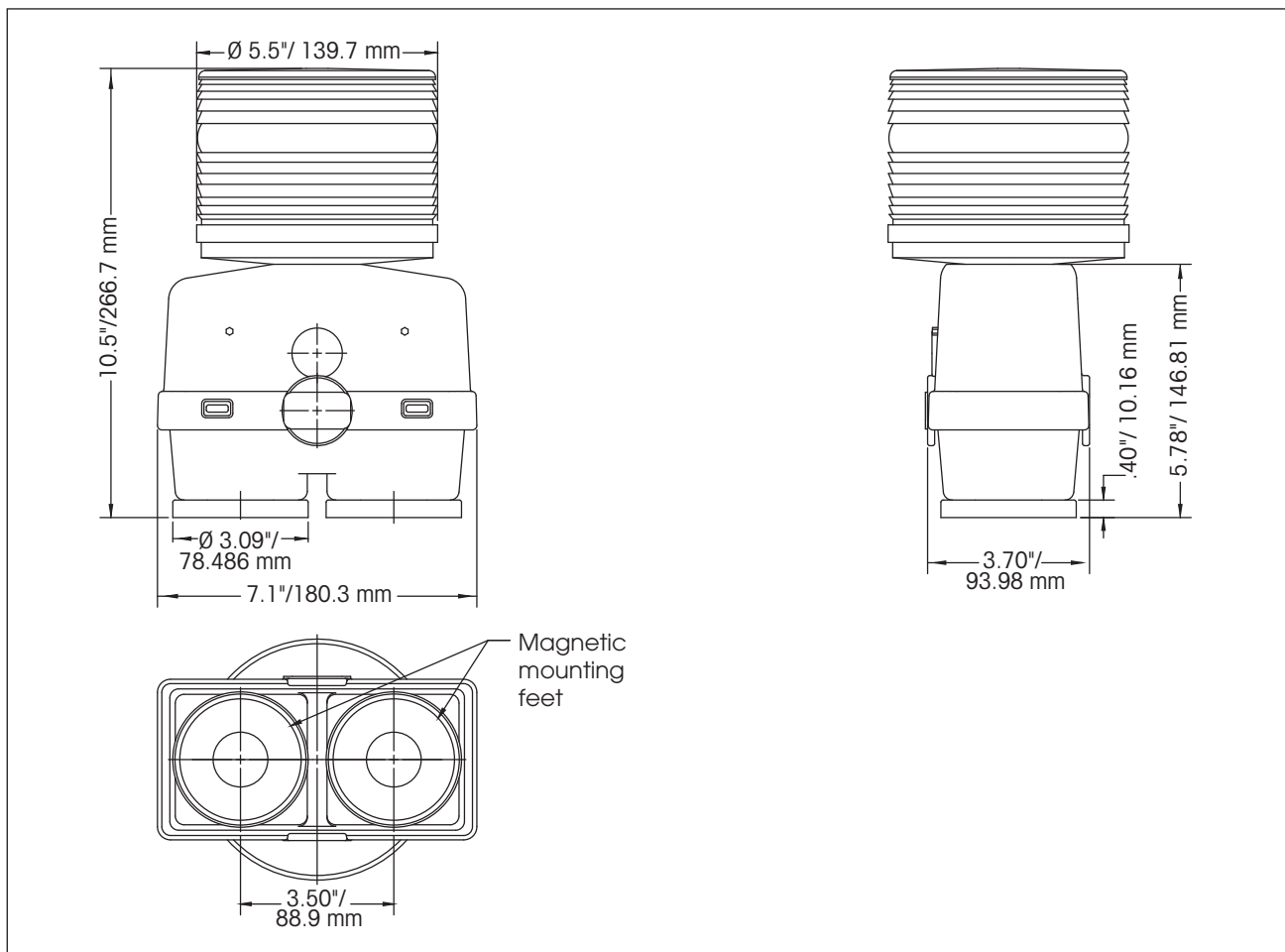
FEATURES

- 12VDC — uses two standard 6VDC lantern batteries (not included)
- 50,000 hour lamp life
- Type 3R weatherproof enclosure
- Five dome colors: Amber, Blue, Clear, Green and Red
- Magnetic mount

MODEL	VOLTAGE	OPERATING CURRENT	FLASH RATE/ MINUTE	MOUNT
BPL26L-*	12VDC	0.58 amps	50	Magnetic

* Indicates color: (A) Amber, (B) Blue, (C) Clear, (G) Green or (R) Red

Battery Powered LED Warning Light (BPL26L)



SPECIFICATIONS

Lamp Life:		50,000 Hours
Light Source:		LED
Operating Temperature:	-18°F to 105°F	-27°C to 40°C
Net Weight:	2.3 lbs	1.04 kg
Shipping Weight:	3.5 lbs	1.59 kg
Height:	10.5"	266.7 mm
Width:	7.1"	180.3 mm
Diameter of Dome:	5.5"	139.7 mm

HOW TO ORDER

BPL26L

A

TYPE
BPL26L

COLOR
A Amber
B Blue
C Clear
G Green
R Red

REPLACEMENT PARTS

Description	Part Number
Dome, Amber	K8263079A
Dome, Blue	K8263079A-01
Dome, Clear	K8263079A-04
Dome, Red	K8263079A-02
Dome, Green	K8263079A-03