



# SelecTone® Explosion-Proof Audible Signaling Device

## Model 302X

### DESIGNED FOR EXPLOSION- PROOF ENVIRONMENTS

- Available in 24VAC/DC and 120/240VAC
- Digital Signal Amplification
- Fused input and output
- Built-in gain control, adjustable between 0dBA to 114dBA @ 10' (0dBA to 124dBA @ 1m)
- Type 4X, IP66 enclosure
- UL 1480 and CSFM Approved
- UL and cUL Listed

Federal Signal's Model 302X SelecTone® Speaker Amplifier is designed to meet UL 1480 intelligibility requirements producing crisp, clear tones, digital voice messages and live public address in harsh environments with high ambient noise levels.

The rugged speaker cone and projector are constructed of spun aluminum. The all new internal circuitry, tone module, and gain control are contained in a housing constructed of cast aluminum. All surfaces are sealed with powder-coat paint and assembled with stainless steel hardware. Dust- and moisture-proof gaskets provide protection from the elements. This housing incorporates a tool-less rear cover design, eliminating the need for torque specific hardware and solves the problem of missing or lost fasteners.

The 302X is UL Listed for Class 1, Division 1, Groups B, C & D.

Internal gain control allows output adjustment from 0dBA to a maximum of 114dBA at 10 feet.

SelecTone Speaker Amplifiers are used individually or as part of a plant-wide emergency notification system. The Model UTM Universal Tone Module, with 32 tones, or the TM33 Custom Tone Module is plugged into a single SelecTone Speaker Amplifier for stand-alone use or into a SelecTone Command Unit for plant-wide signaling.

For plant-wide signaling, a Connector Kit is required for each SelecTone Speaker Amplifier and wired to a central controller. SelecTone Command Units and CommCenter® Digital Message Centers broadcast tones, voice messages, melodies and live public address to an unlimited number of SelecTone Speaker Amplifiers.

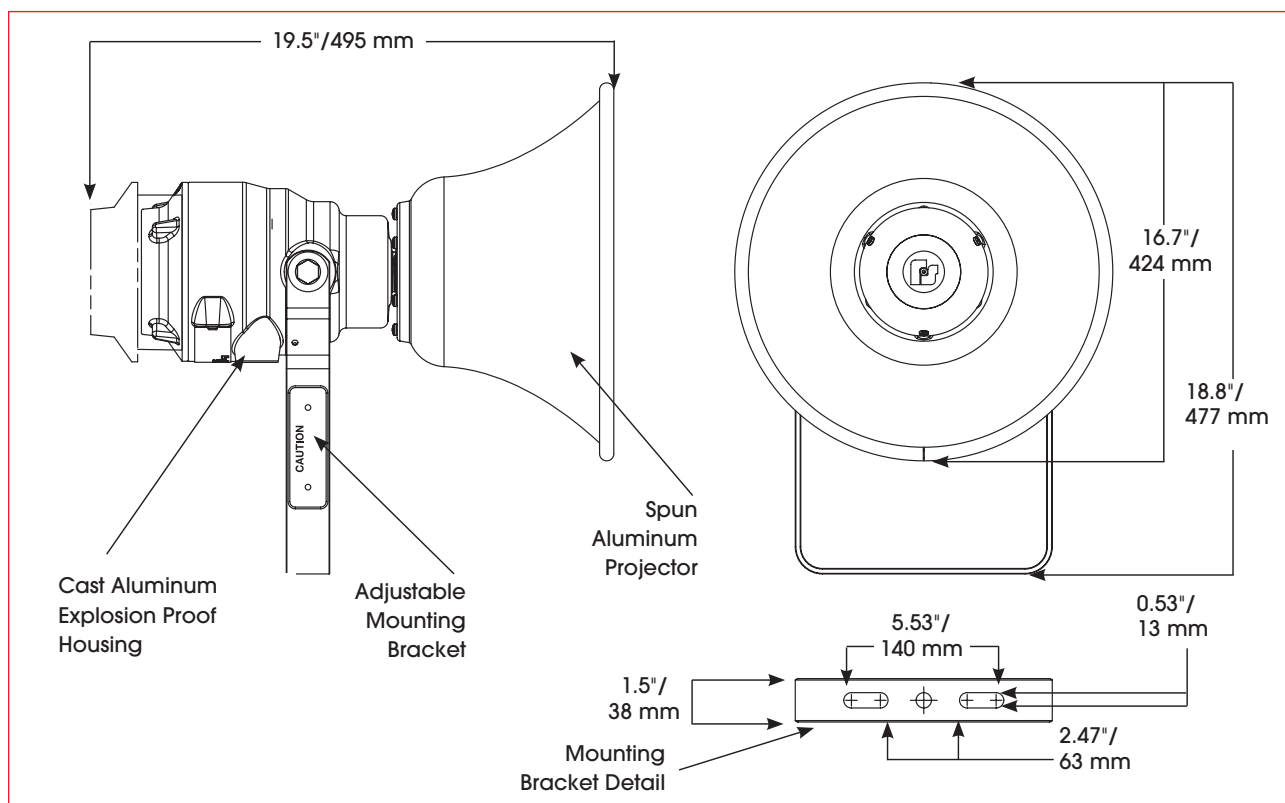
Applications for SelecTone include emergency warning, plant evacuation, start and dismissal, public address, and process control.

Model	Voltage	Operating Current	Standby Current	Decibels @		T-Code <sup>1</sup>
				10'	1m	
302X-024	24VDC	1.35 amps	0.13 amps	114	124	T6
302X-024	24VAC 50/60Hz	1.91 amps	0.31 amps	114	124	T6
302X-120	120VAC 50/60Hz	0.43 amps	0.26 amps	114	124	T6
302X-240	240VAC 50/60Hz	0.26 amps	0.13 amps	114	124	T6

<sup>1</sup> T-Code in Class 1 Division 1 B, C, D @ 66°C Ambient



## EXPLOSION-PROOF AUDIBLE SIGNALING DEVICE (302X)



### SPECIFICATIONS

Operating Temperature:	-67°F to 151°F	-55°C to 66°C
Net Weight:		
24VAC/DC	16.4 lbs.	7.4 kg
120/240VAC	17.7 lbs.	8.0 kg
Shipping Weight:		
24VAC/DC	32.4 lbs.	14.7 kg
120/240VAC	33.7 lbs.	15.3 kg
Height:	18.8"	477.52 mm
Width:	16.7"	424.17 mm
Depth:	19.5"	495.30 mm
Ingress Protection	IP65 and NEMA 4X Approved	

### HOW TO ORDER

- Specify model number and voltage
- Specify Tone Module for stand alone operation
  - Universal Tone Module (UTM)
  - Custom Tone Module (TM33)
- Specify Connector Kit for use in systems (Call Factory for system design assistance)
  - 25 Vrms Connector Kit (AM25CK)
  - 70 Vrms Connector Kit (AM70CK)

### REPLACEMENT PARTS

<i>Description</i>	<i>Part Number</i>
Amplifier Assembly, 24VAC/DC	K2005618A-04
Amplifier Assembly, 120/240VAC	K2005618A-06
Mounting Bracket Assembly	K8593071A