



SelecTone® Audible Signaling Device

Model 300, Series E

DC STAND-ALONE TONE SIGNALING WITH DC OPERATING VOLTAGE

- Available in 250VDC
- Compatible with Federal Signal UTM Tone Module
- Produces 110dBA @ 10' (120dBA @ 1m)
- Type 3R enclosure
- Indoor/outdoor use
- UL and cUL Listed

Federal Signal's SelecTone® Model 300 is a lightweight and compact, solid-state audible signaling device designed to amplify a pre-selected tone over existing ambient noises. The speaker cone and projector are made of spun aluminum. The internal amplifier circuitry and tone module are contained in a housing of die-cast aluminum. Dust- and moisture-proof gasketing provides protection from the elements. All external components are sealed with powder-coat paint.

Model 300 is designed for applications which have 250VDC power supplies. This model is UL and cUL Listed and is rated Type 3R for indoor/outdoor use.

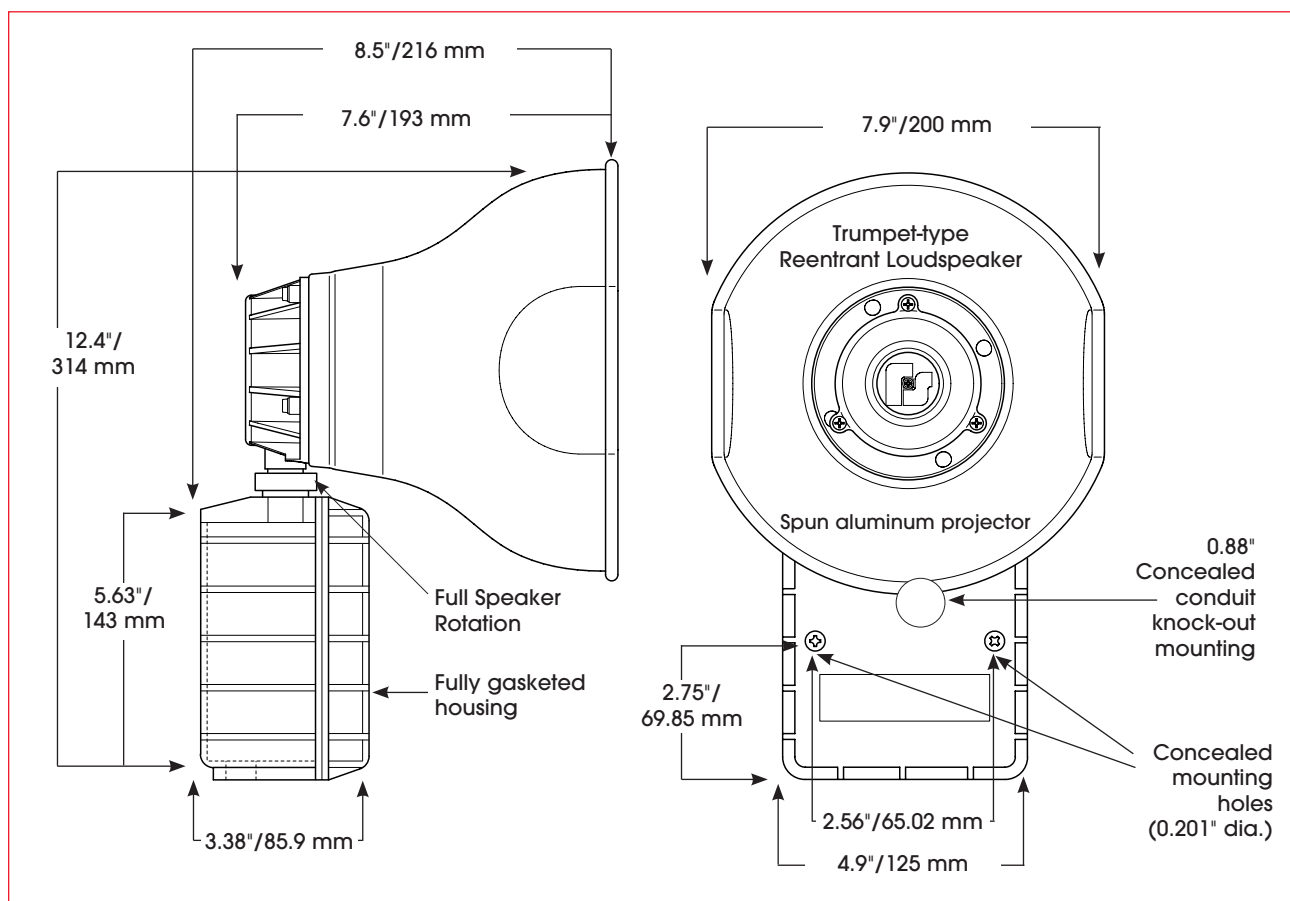
Model UTM (Universal Tone Module) is used with this device to generate one of 32 tones. Model 300 is designed to be used as a stand-alone, full output unit and cannot be used with a SelecTone Command Unit (public address is not possible).

Model 300 speaker/amplifiers are ideally suited for full output tone signaling where voice paging is not a requirement. Typical applications include emergency warning, start and dismissal, general alarm, smelters and cranes.

Model	Voltage	Operating Current	Standby Current	Decibels @	
				10'	1m
300-250	250VDC	0.072 amps	N/A	110	120



SELECTONE® AUDIBLE SIGNALING DEVICE (300)



SPECIFICATIONS

Operating Temperature:	-31°F to 161°F	-35°C to 72°C
Net Weight:	5.0 lbs.	2.3 kg
Shipping Weight:	6.1 lbs.	2.8 kg
Height:	12.4"	314.0 mm
Width:	7.9"	200.0 mm
Depth:	8.5"	216.0 mm

HOW TO ORDER

- Specify model number and voltage
- Specify Tone Module (sold separately)
Universal Tone Module (UTM)

REPLACEMENT PARTS

Description

Amplifier Assembly, 250VDC
Voice Coil, Series C
Speaker Assembly

Part Number

K2001903B
K8593035A
K8593082A