

Det-Tronics® SmokeWatch™ Explosion Proof Smoke Detector U5015



DESCRIPTION

The Det-Tronics® SmokeWatch™ U5015 Explosion Proof Smoke Detector has Division and Zone explosion-proof ratings and is suitable for industrial and commercial applications. The SmokeWatch smoke detector is designed to operate effectively with smoldering and rapidly growing fires and contains the ability to annunciate fault ensuring no undisclosed failures. The U5015 Smoke Detector outputs include 0-20 mA, a localized LED, and relays.

Typical applications that use the U5015 include:

- Combustible storage facilities
- Munitions manufacturing
- Volatile chemical storage
- Chemical processing plants
- Petroleum refineries
- Turbine enclosures
- Battery rooms
- HVAC applications

The hot-swappable sensor module is intrinsically safe and allows live maintenance while under power, without de-classifying the hazardous area. The integrated junction box is available in a variety of port configurations for simplified wiring and installation. See Figure 1 for all the U5015 Smoke Detector components.

HIGHLIGHTS

U5015 TECHNOLOGY FEATURES

- ▲ FM Approved for use in Class I, Division 1, and Zone 1 hazardous locations
- ▲ FM Approved for smoke detection performance
- ▲ IECEx Zone approved
- ▲ Trouble-free photoelectric operation
- ▲ 0-20 mA output for DCS integration
- ▲ Self-checking circuitry ensures reliable smoke detection
- ▲ Alarm, Auxiliary, and Fault relays for controlling annunciating devices or fire panel interface
- ▲ LED provides a visual indication that an alarm has occurred
- ▲ IP44 ingress protection level suitable for onshore or offshore requirements

BENEFITS

- ▲ Ideally suited for classified areas in the petrochemical, oil, and gas industry
- ▲ DCS, PLC, integration with milliamp, or relay outputs
- ▲ Rugged design for environmental extremes
- ▲ Visual confirmation of detector alarm
- ▲ Detects smoldering fires
- ▲ No undisclosed failures

SPECIFICATIONS

Operating Temperature	12-30 Vdc (24 Vdc nominal).
Power Consumption	3.5 watts maximum (2.75 watts at 24 Vdc).
Output Relays	<p>Smoke alarm relay, Form C, 5 amperes at 30 Vdc: The smoke alarm relay has normally open/normally closed contacts and normally de-energized operation.</p> <p>Fault relay, Form A, 5 amperes at 30 Vdc: The fault relay has normally open contacts and normally energized operation.</p> <p>Auxiliary relay, Form C, 5 amperes at 30 Vdc: The auxiliary relay has normally open/normally closed contacts and normally de-energized operation.</p>
Temperature Range	<p>Operating: -20°C to +65°C (-4°F to +149°F)</p> <p>Storage: -55°C to +70°C (-67°F to +158°F).</p>
Humidity Range	5 to 95% relative humidity.
Ingress Protection	IP44 (Applicable to ceiling mount only).
Current Output	0-20 mA (± 0.3 mA) dc current, with maximum loop resistance of 300 ohms from 12-17.9 Vdc, 500 ohms from 18 to 19.9 Vdc, and 600 ohms from 20-30 Vdc.
Terminals	UL/CSA rated for 14-18 AWG or 2.5-0.75 mm ² wire.

Thread Options	3/4 inch NPT or M25 Multi-port models available.
Enclosure Material	Polycarbonate / ABS - Smoke Detector Copper-free aluminum (painted) - Junction Box.
Shipping Weight (Approximate)	7.85 lbs (3.56 kg).
Warranty Period	1 year.
Dimensions	See Figure 2.

Certification



Class 1 Div 1 Groups B, C, D T4
 Class 1 Div 2 Groups A, B, C, D T4
 Class 1 Zone 1 AEX db ia IIC T4 Gb
 Tamb -20°C to +65°C
 IP44.



IECEx FMG15.0014X
 Ex db ia IIC T4 Gb
 Tamb -20°C to +65°C
 IP44.

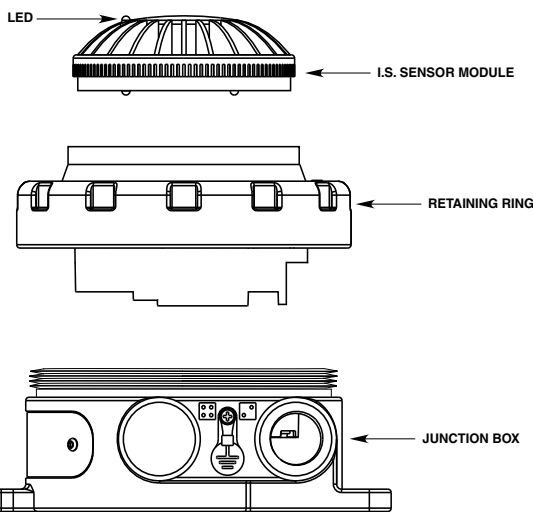


Figure 1—U5015 Components

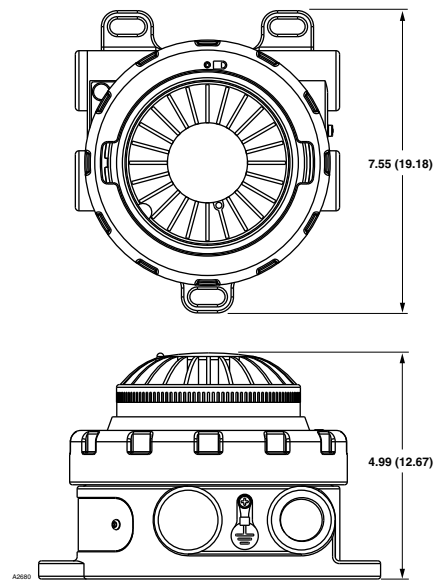


Figure 2—U5015 Dimensions in Inches (cm)

Specifications subject to change without notice.

All trademarks are the property of their respective owners.
 © 2015 Detector Electronics Corporation. All rights reserved.



Corporate Office
 6901 West 110th Street | Minneapolis, MN 55438 USA
 Phone: 952.941.5665 or 800.468.3244
 Customer Service: 952.946.6491 or 800.765.3473
www.det-tronics.com | Email: det-tronics@det-tronics.com